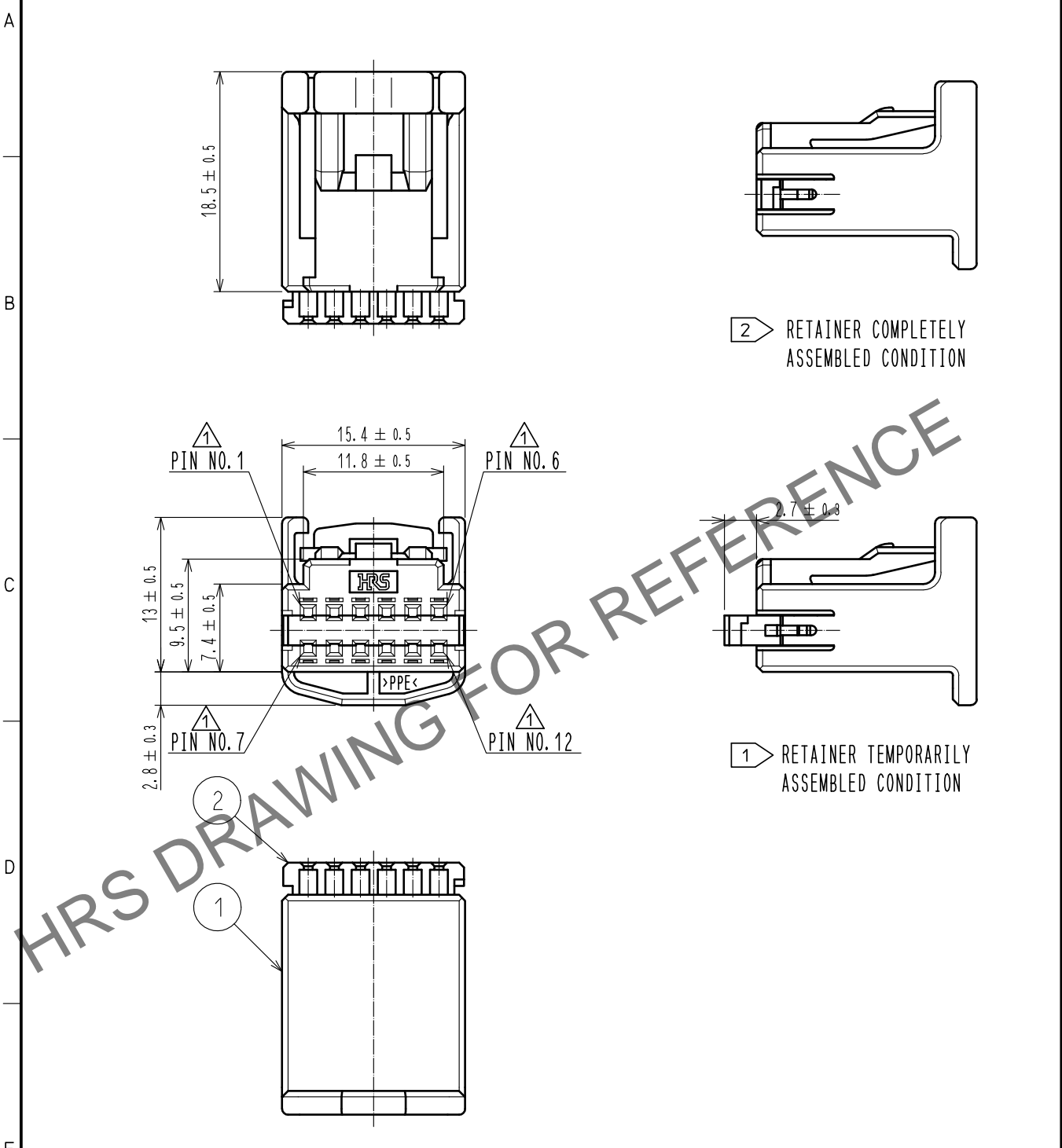


Mar.1.2025 Copyright 2025 HIROSE ELECTRIC CO., LTD. All Rights Reserved.  
In case of consideration for using Automotive equipment / device which demand high reliability, kindly contact our sales window correspondents.

ELV. RoHS COMPLIANT



2 RETAINER COMPLETELY ASSEMBLED CONDITION

1 RETAINER TEMPORARILY ASSEMBLED CONDITION

NOTE. 1 RETAINER IS TEMPORARILY ASSEMBLED INTO HOUSING.  
NOTE. 2 RETAINER TO BE COMPLETELY ASSEMBLED INTO POSITION AFTER CONTACT IS INSERTED.

1	PPE	BLACK	2	PBT	DARK GRAY		
NO.	MATERIAL	FINISH . REMARKS	NO.	MATERIAL	FINISH . REMARKS		
UNITS mm		SCALE 2 : 1	COUNT 4	DESCRIPTION OF REVISIONS DIS-T-00004819	DESIGNED DONGCHAN KIM	CHECKED HH. TSUKUMO	DATE 20190621
<b>HRS</b> HIROSE ELECTRIC CO., LTD.	APPROVED	AR. SHIRAI	20170420	DRAWING NO.	EDC-169556-50-00		
	CHECKED	HS. OZAWA	20170420	PART NO.	GT25-12DS-HU/R(50)		
	DESIGNED	TK. SHISHIKURA	20170420	CODE NO.	CL775-0062-8-50		
	DRAWN	TK. SHISHIKURA	20170420			1/1	