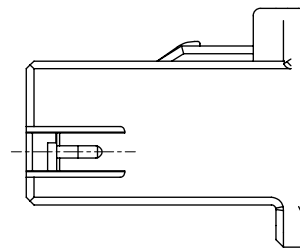
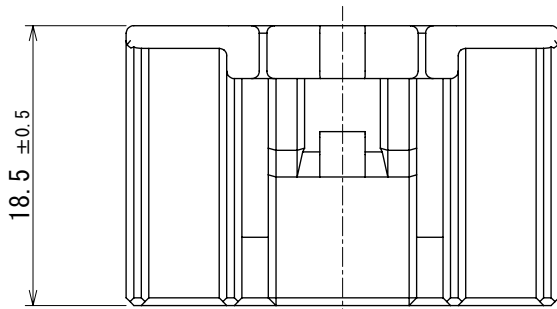
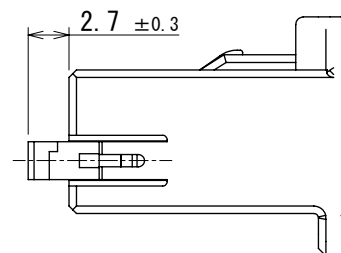
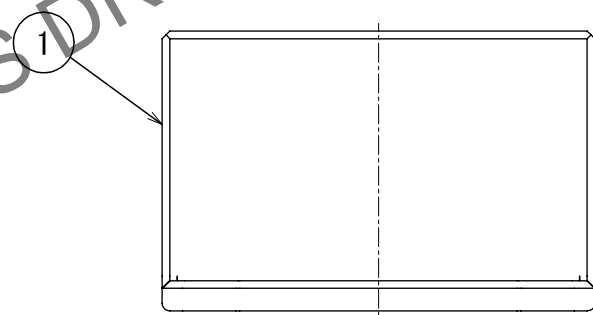
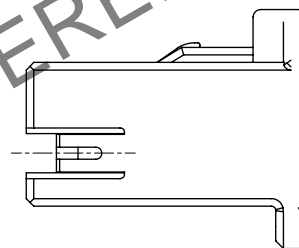
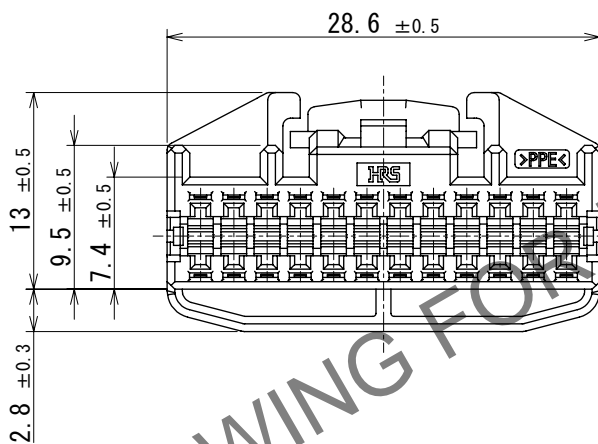


Mar.1.2025 Copyright 2025 HIROSE ELECTRIC CO., LTD. All Rights Reserved.
In case of consideration for using Automotive equipment / device which demand high reliability, kindly contact our sales window correspondents.

ELV, RoHS COMPLIANT



2 RETAINER COMPLETELY ASSEMBLED CONDITION



1 RETAINER PRESET CONDITION

NOTE. 1 USE THIS PRODUCT WITH RETAINER GT25-16DS-R PRESET.
RETAINER GT25-24DS-R PRODUCT NO. : CL0775-0069-7

NOTE. 2 RETAINER TO BE COMPLETELY ASSEMBLED AS SHOWN FIGURE AFTER CONTACT IS INSERTED.

NOTE. 3 PLEASE REFER TO INSTRUCTION SHEET ETAD-T0329-00 BEFORE USE.

1	PPE	BLACK						
NO.	MATERIAL	FINISH	REMARKS	NO.	MATERIAL	FINISH	REMARKS	
UNITS		SCALE	COUNT	DESCRIPTION OF REVISIONS		DESIGNED	CHECKED	DATE
mm		2:1	2	DIS-T-00019617		AN. SAIKI	TY. MOGI	2023. 12. 05
HIROSE ELECTRIC CO., LTD.		APPROVED : AR. SHIRAI	2015. 02. 17	DRAWING NO.		EDC-169603-00-00		
		CHECKED : MO. OKADA	2015. 02. 17	PART NO.		GT25-24DS-HU		
		DESIGNED : TK. SHISHIKURA	2015. 02. 17	CODE NO.		CL0775-0068-4-00		
		DRAWN : TK. SHISHIKURA	2015. 02. 17					