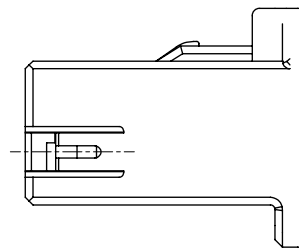
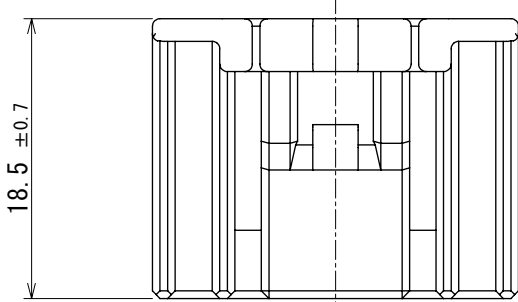
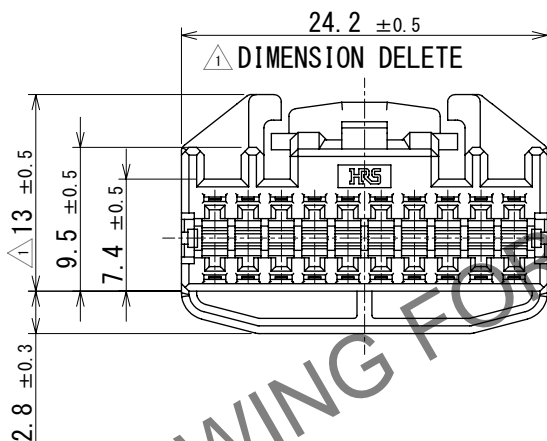


Mar.1.2025 Copyright 2025 HIROSE ELECTRIC CO., LTD. All Rights Reserved.
 In case of consideration for using Automotive equipment / device which demand high reliability, kindly contact our sales window correspondents.

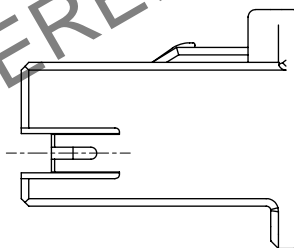
ELV, RoHS COMPLIANT



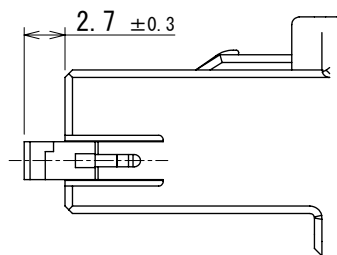
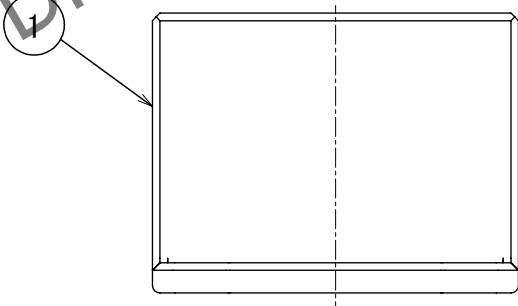
2 RETAINER COMPLETELY ASSEMBLED CONDITION



1 ADD FIGURE



1 RETAINER PRESET CONDITION



- △ NOTE. 1 USE THIS PRODUCT WITH RETAINER GT25-20DS-R PRESET.
RETAINER GT25-20DS-R PRODUCT NO. : CL0775-0076-2
- △ NOTE. 2 RETAINER TO BE COMPLETELY ASSEMBLED AS SHOWN FIGURE AFTER CONTACT IS INSERTED.
- △ NOTE. 3 PLEASE REFER TO INSTRUCTION SHEET ETAD-T0329-00 BEFORE USE.

1	PPE	BLACK						
NO.	MATERIAL	FINISH	REMARKS	NO.	MATERIAL	FINISH	REMARKS	
UNITS mm		SCALE 2:1	COUNT 6	DESCRIPTION OF REVISIONS DIS-T-00019766		DESIGNED AN. SAIKI	CHECKED TY. MOGI	DATE 2024. 02. 08
HIROSE ELECTRIC CO., LTD.		APPROVED : HS. OZAWA	2016. 07. 23	DRAWING NO.		EDC-354619-00-00		
		CHECKED : HS. OZAWA	2016. 07. 23	PART NO.		GT25-20DS-HU		
		DESIGNED : YT. HAYAKAWA	2016. 07. 22	CODE NO.		CL0775-0075-0-00		
		DRAWN : YT. HAYAKAWA	2016. 07. 22					