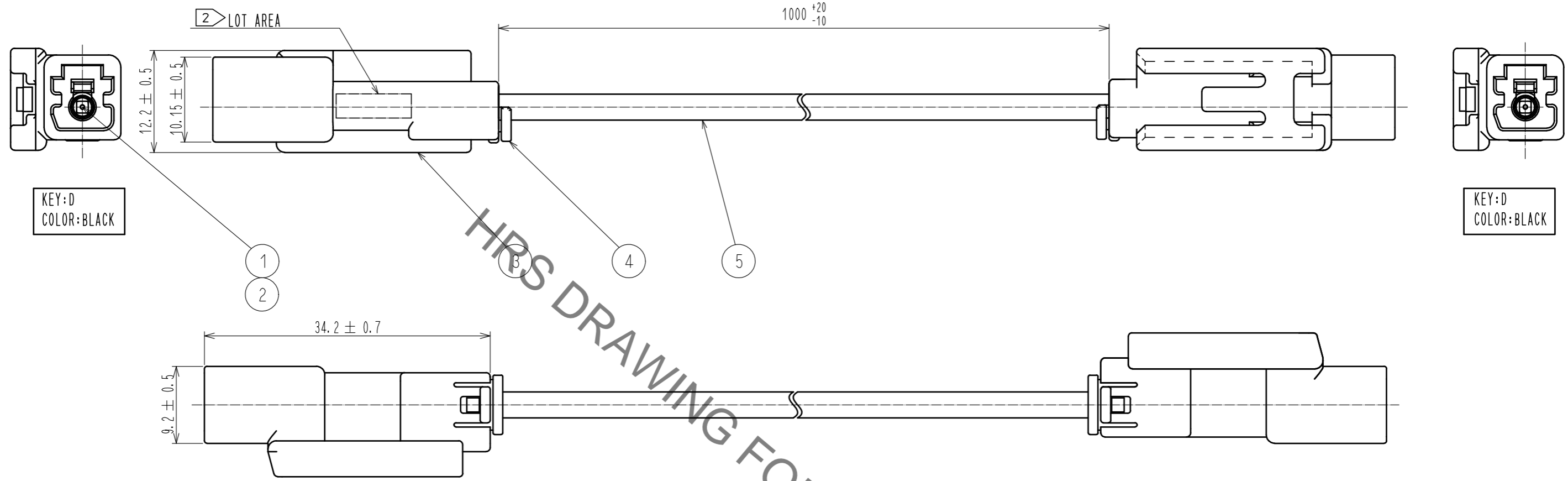
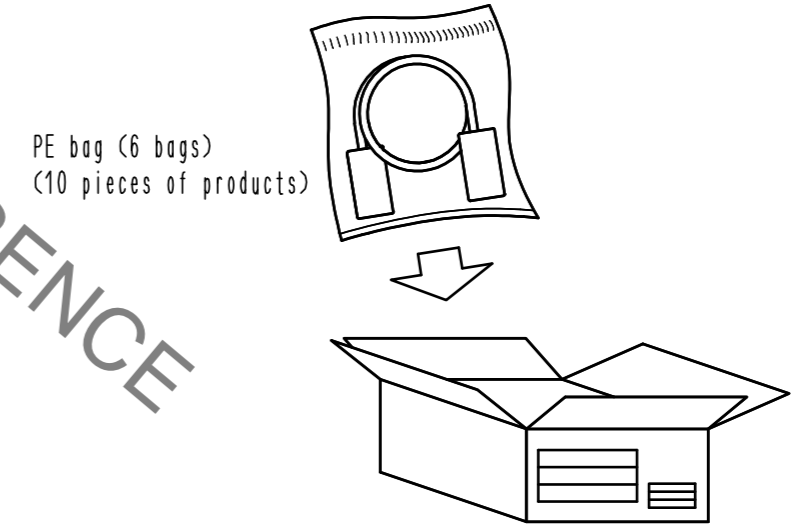


Mar.1.2023 Copyright 2023 HIROSE ELECTRIC CO., LTD. All Rights Reserved.
In case of consideration for using Automotive equipment / device which demand high reliability, kindly contact our sales window correspondents.

ELV, RoHS COMPLIANT



NOTE1. Packing method is as followings.
 (1) Pack harness products into PE bag. Maximum 10 pieces per bag.
 Close the bag mouth with heat seal, cellophane tape etc.
 (2) Pack the packed PE bag into cardboard.
 Maximum 6 bags (Harness product maximum 60 pieces) per box.
 Put cushioning material inside so that PE bag do not rattle inside the cardboard.
 (3) Indicate the delivery destination name, part name, part number, quantity and lot number to the cardboard box.
 2 Lot marking to the specified area.



3	GT43-1PP-HU(CD)	CL0753-1006-0-00						
2	GT43-1P/S-CSB	CL0753-1005-0-00	5	CABLE	Shikoku Cable 1.5DS-QEHB			
1	GT43-2428/1.6-2.9PCF	CL0753-1004-0-00	4	GT43-1P/S-R	CL0753-1007-0-00			
NO.	MATERIAL	FINISH . REMARKS	NO.	MATERIAL	FINISH . REMARKS			
UNITS mm		SCALE FREE		COUNT	DESCRIPTION OF REVISIONS	DESIGNED	CHECKED	DATE
HRS HIROSE ELECTRIC CO., LTD.		APPROVED : KI. HIROKAWA	20210330	DRAWING NO. EDC-395704-00-00				
		CHECKED : MO. OKADA	20210330	PART NO. WGT43GT43-1191				
		DESIGNED : KN. MIKAMI	20210330	CODE NO. CL0781-1191-0-00				
		DRAWN : HR. IWAI	20210330					