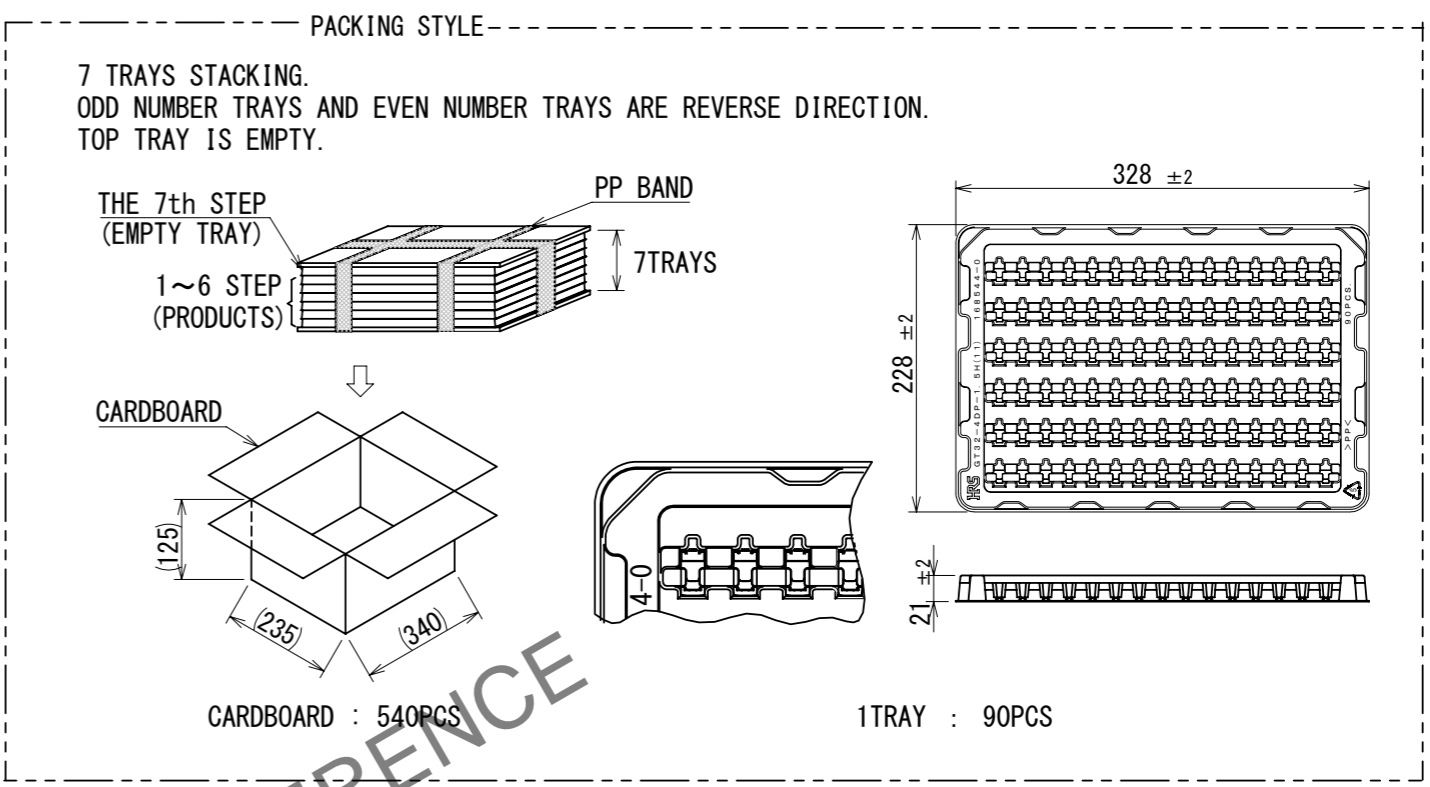
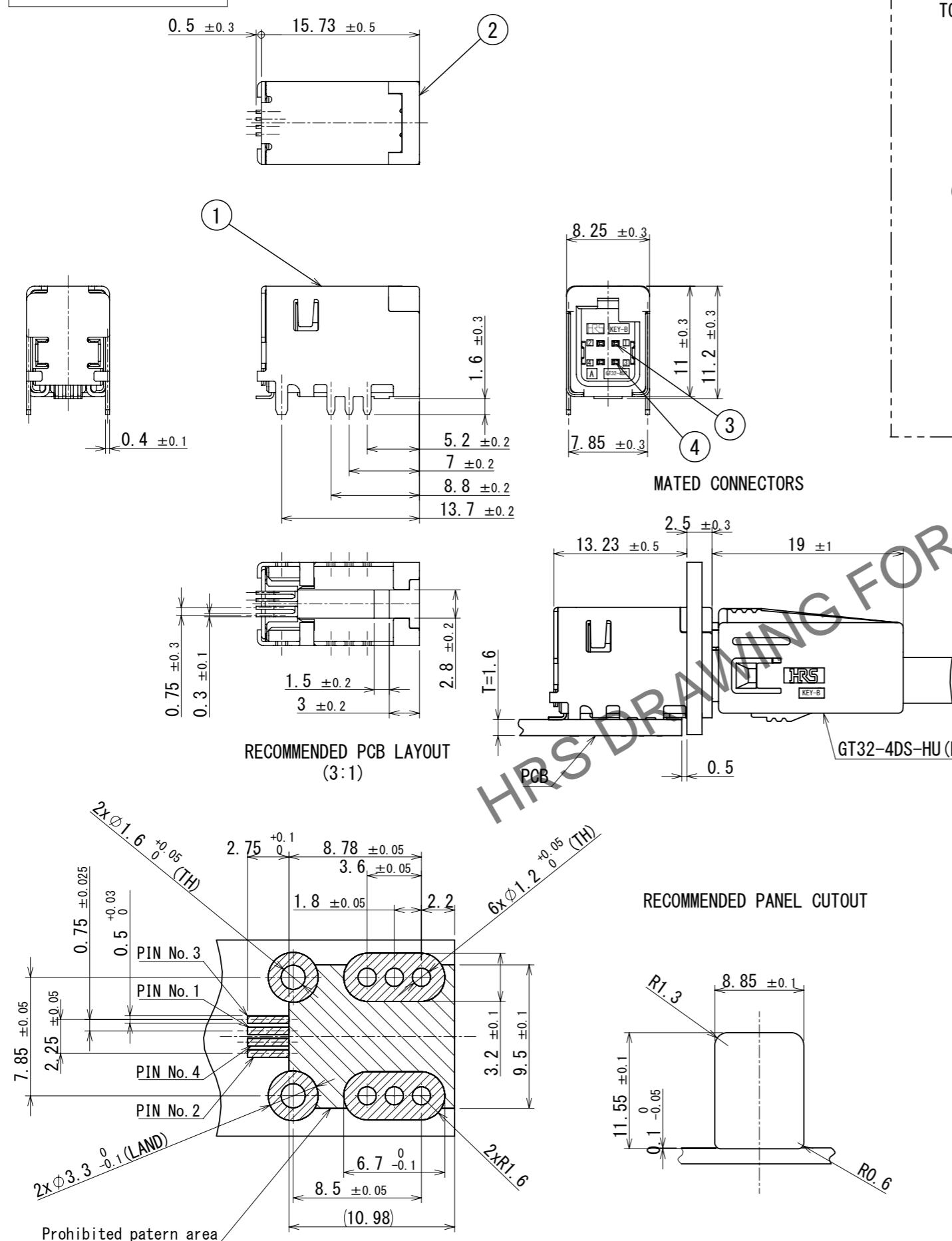


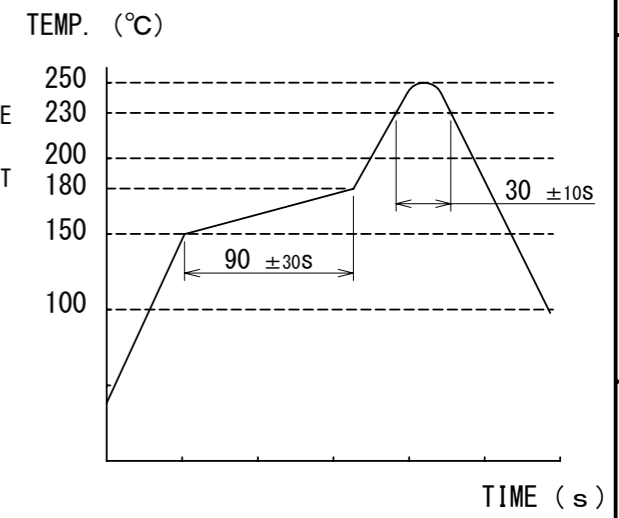
Apr.1.2026 Copyright 2026 HIROSE ELECTRIC CO., LTD. All Rights Reserved.  
 In case of consideration for using Automotive equipment / device which demand high reliability, kindly contact our sales window correspondents.

ELV, RoHS COMPLIANT



NOTES

1. RECOMMENDED REFLOW PROFILE (SEE RIGHT GRAPH)  
 CYCLE TIME: UP TO 2 CYCLES OF REFLOW SOLDERING ARE POSSIBLE UNDER THE CONDITIONS, PROVIDED THAT THERE IS A RETURN TO NOMAL TEMPERATURE BETWEEN THE FIRST AND SECOND CYCLE.  
 PEAK TEMPERATURE: 250°C  
 230°C MIN, FOR 20 TO 40 SECONDS.  
 PREHEATING AREA 150~180°C FOR 60 TO 120 SECONDS.
2. HAND SOLDERING: 280~300°C, 2SECONDS MAX.
3. CONTACT COPLANARITY: 0.1mm MAX.
4. RECOMMENDED THICKNESS OF PCB: 1.6mm
5. RECOMMENDED THICKNESS OF SOLDERING PASTE: 0.12mm



2	PA	GREEN	4	BRASS	TIN PLATING				
1	COPPER ALLOY	TIN PLATING	3	BRASS	TIN PLATING				
NO.	MATERIAL	FINISH	REMARKS	NO.	MATERIAL	FINISH	REMARKS		
UNITS	mm	SCALE	2:1	COUNT	0	DESCRIPTION OF REVISIONS	DESIGNED	CHECKED	DATE
APPROVED : AR. SHIRAI 2017. 03. 14				DRAWING NO.		EDC-361828-11-01			
CHECKED : TH. MIZUGUCHI 2017. 03. 13				PART NO.		GT32-4DP-1.5H(B) (11)			
DESIGNED : TS. KUBOTA 2017. 03. 13				CODE NO.		CL0782-0062-6-11			
DRAWN : TS. KUBOTA 2017. 03. 13				NO.		1/1			