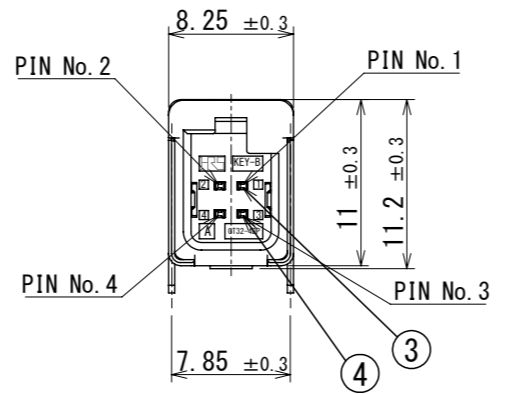
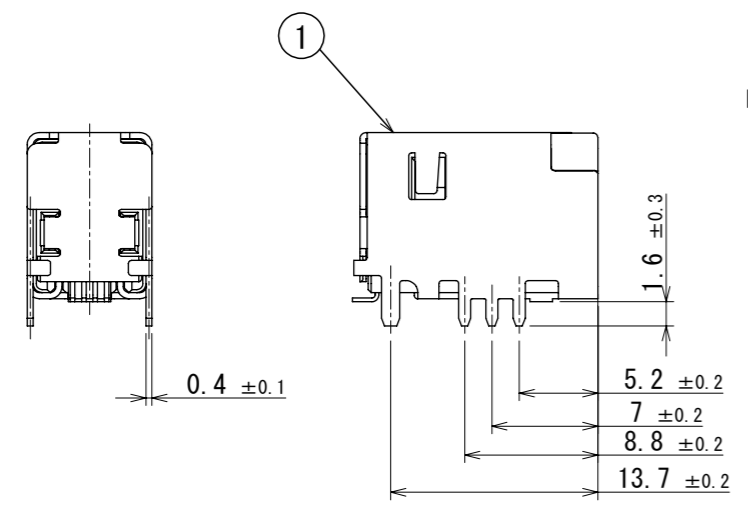
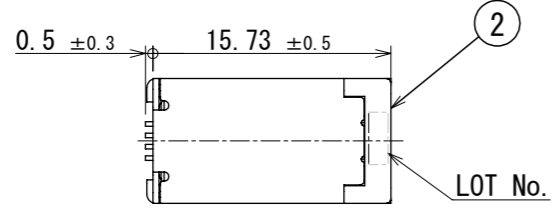
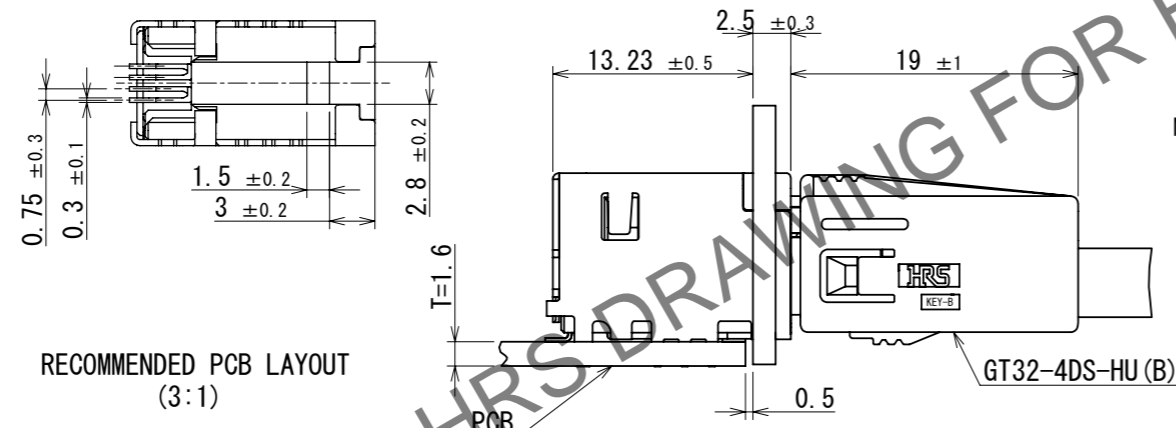


Apr.1.2025 Copyright 2025 HIROSE ELECTRIC CO., LTD. All Rights Reserved.
In case of consideration for using Automotive equipment / device which demand high reliability, kindly contact our sales window correspondents.

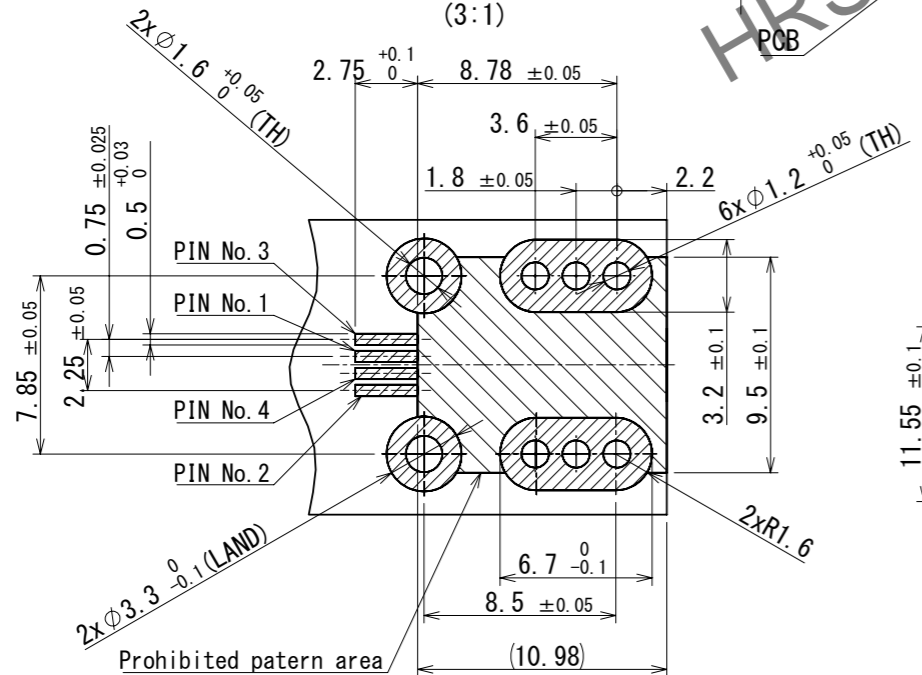
RoHS, ELV COMPLIANT



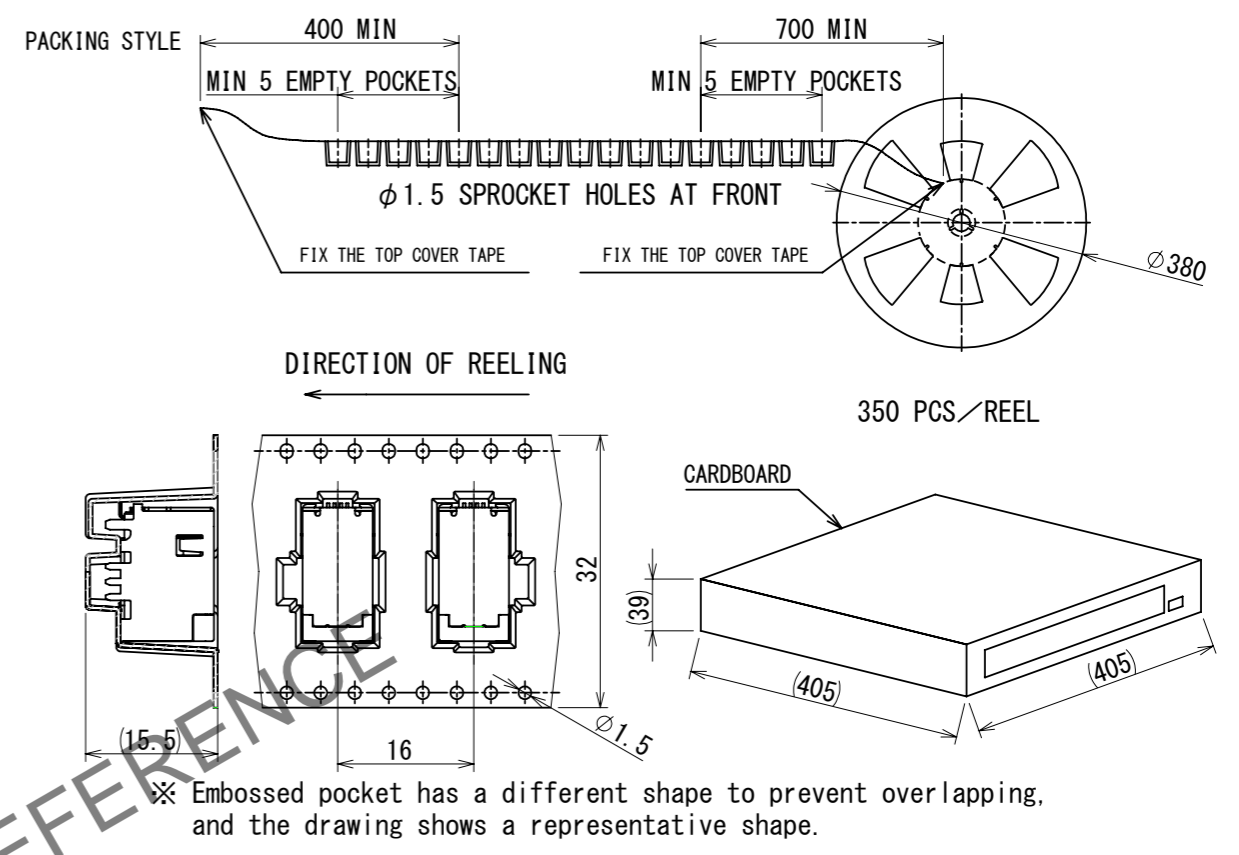
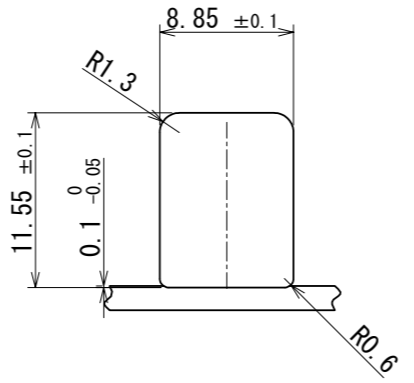
MATED CONNECTORS



RECOMMENDED PCB LAYOUT (3:1)

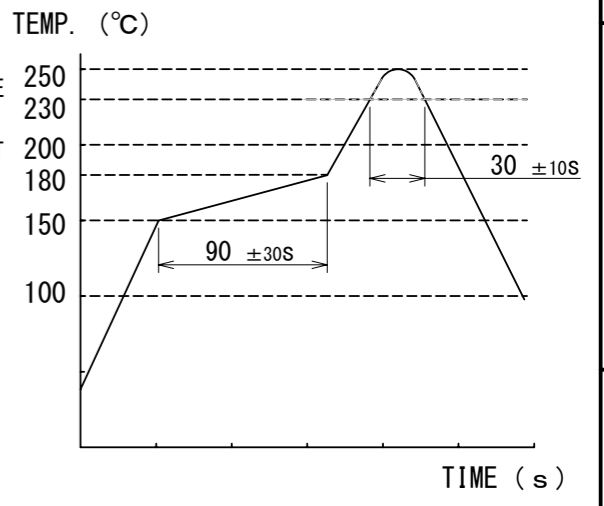


RECOMMENDED PANEL CUTOUT



NOTES

- RECOMMENDED REFLOW PROFILE (SEE RIGHT GRAPH)
CYCLE TIME: UP TO 2 CYCLES OF REFLOW SOLDERING ARE POSSIBLE UNDER THE CONDITIONS, PROVIDED THAT THERE IS A RETURN TO NOMAL TEMPERATURE BETWEEN THE FIRST AND SECOND CYCLE.
PEAK TEMPERATURE: 250°C
230°C MIN, FOR 20 TO 40 SECONDS.
PREHEATING AREA 150~180°C FOR 60 TO 120 SECONDS.
- HAND SOLDERING: 280~300°C, 2SECONDS MAX.
- CONTACT COPLANARITY: 0.1mm MAX.
- RECOMMENDED THICKNESS OF PCB: 1.6mm
- RECOMMENDED THICKNESS OF SOLDERING PASTE: 0.12mm



2	PA	GREEN	4	BRASS	TIN PLATING		
1	COPPER ALLOY	TIN PLATING	3	BRASS	TIN PLATING		
NO.	MATERIAL	FINISH	REMARKS	NO.	MATERIAL	FINISH	REMARKS
UNITS	mm	SCALE	2:1	COUNT	0	DESCRIPTION OF REVISIONS	DIS-T-00018463
APPROVED : AR. SHIRAI		2019. 01. 11		DRAWING NO.		EDC-361828-12-01	
CHECKED : TH. MIZUGUCHI		2019. 01. 10		PART NO.		GT32-4DP-1.5H(B) (12)	
DESIGNED : TS. KUBOTA		2019. 01. 10		CODE NO.		CL0782-0062-6-12	
DRAWN : TS. KUBOTA		2019. 01. 10					