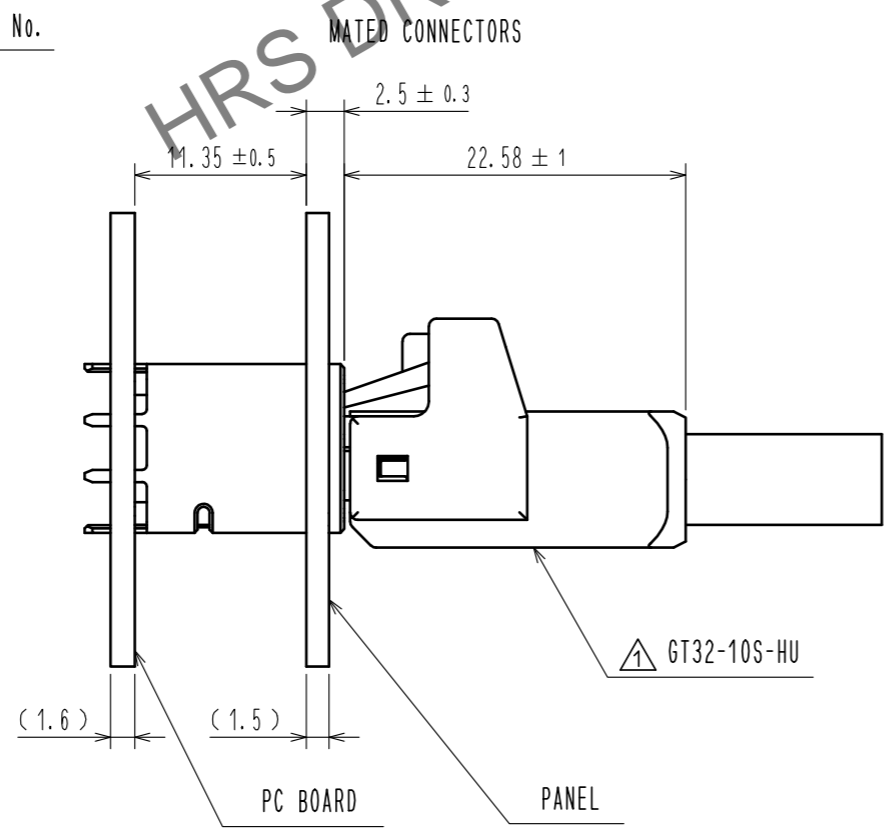
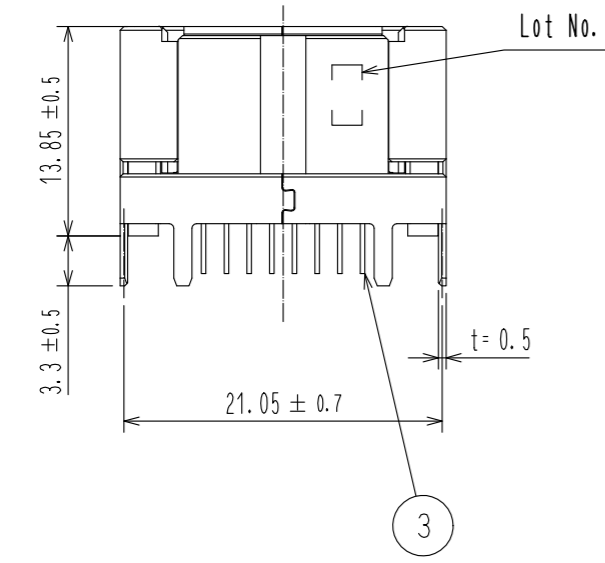
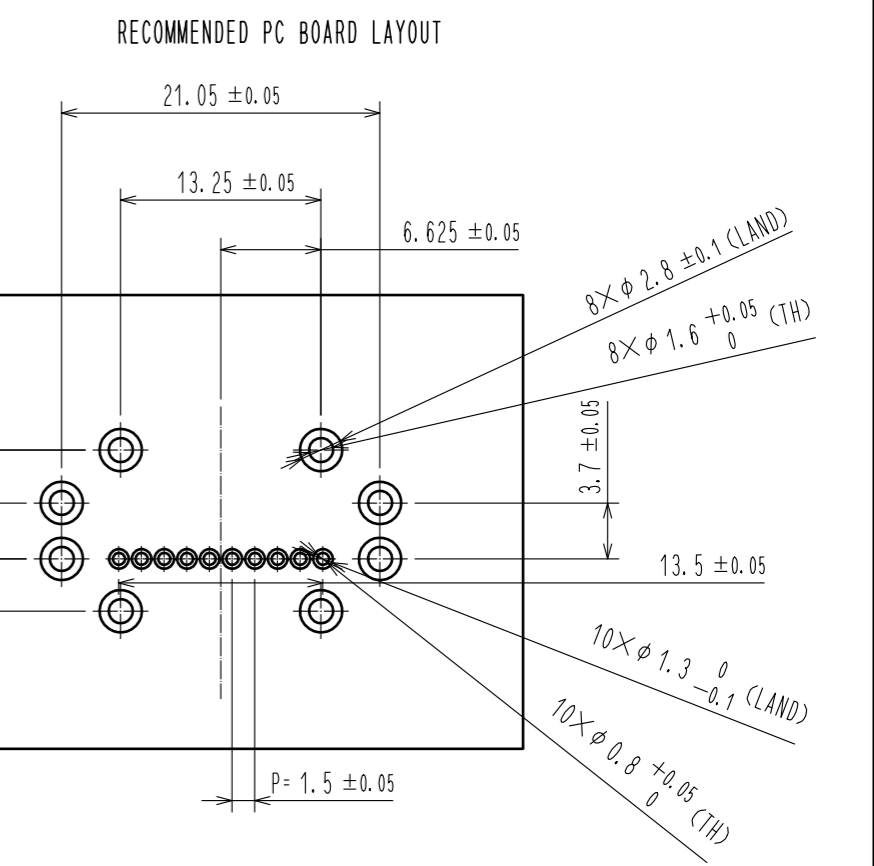
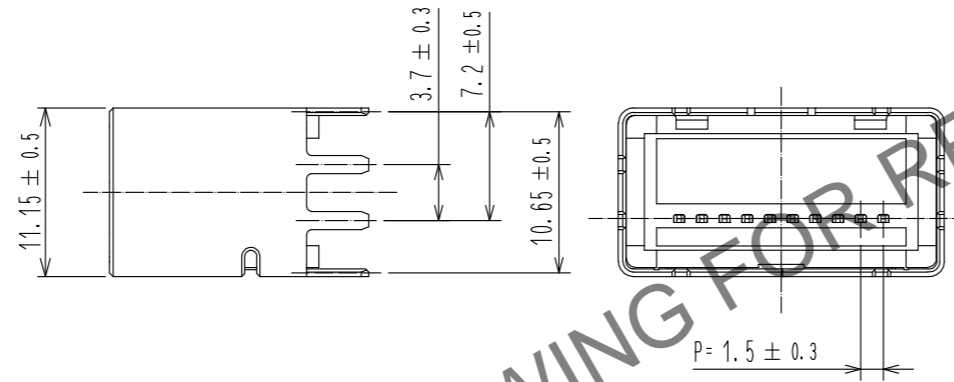
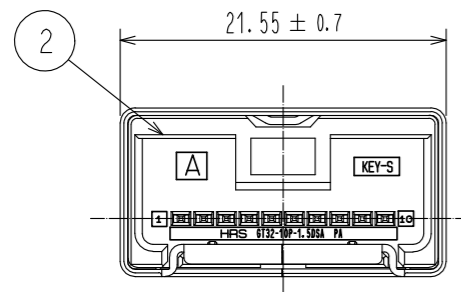
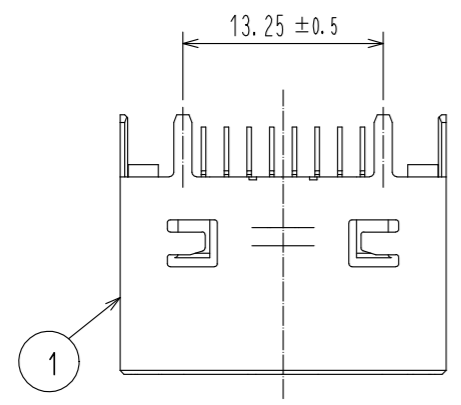
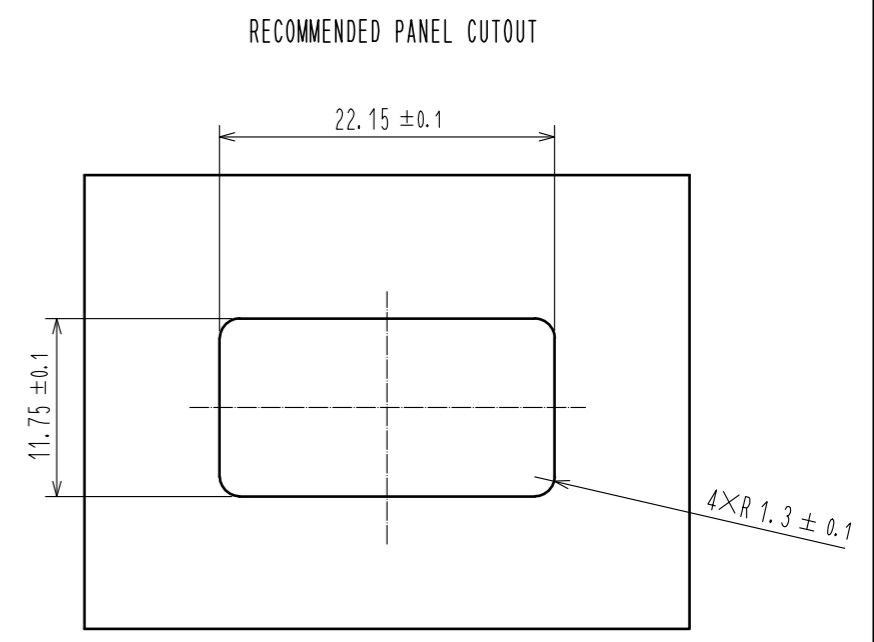
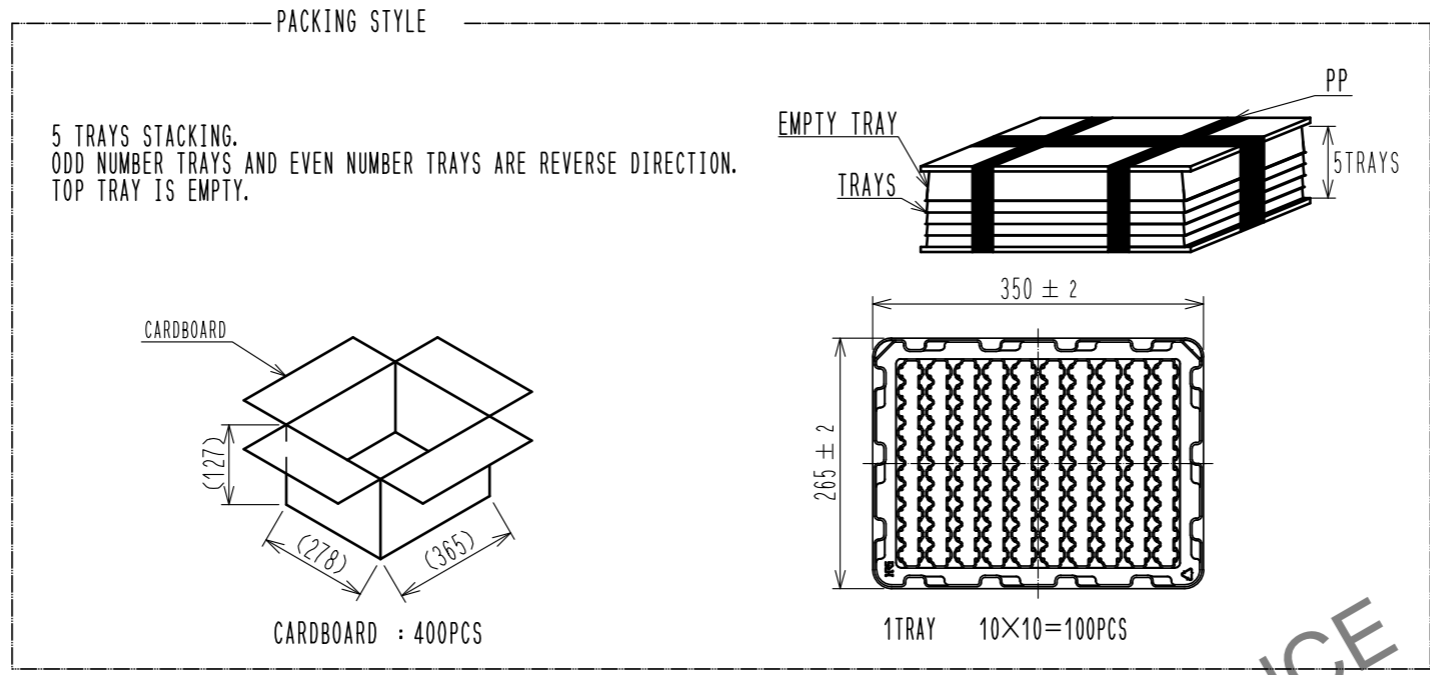


Apr.1.2025 Copyright 2025 HIROSE ELECTRIC CO., LTD. All Rights Reserved.
In case of consideration for using Automotive equipment / device which demand high reliability, kindly contact our sales window correspondents.

ELV, RoHS COMPLIANT



NOTES
1) IN CASE OF MOUNTING THE CONNECTOR TO PCB, PUT THE CONNECTOR WITH OWN-WEIGHT

2	PA	LIGHT GRAY	3	BRASS	TIN PLATED		
1	COPPER ALLOY	TIN PLATED					
NO.	MATERIAL	FINISH . REMARKS	NO.	MATERIAL	FINISH . REMARKS		
UNITS	mm	SCALE	COUNT	DESCRIPTION OF REVISIONS	DESIGNED	CHECKED	DATE
		2 : 1	1	DIS-T-00003021	YT. TAKANASHI	TH. MIZUGUCHI	18. 03. 26
APPROVED : AR. SHIRAI		17. 10. 11		DRAWING NO. EDC-375783-00-00			
CHECKED : TH. MIZUGUCHI		17. 10. 11		PART NO. GT32-10P-1.5DSA			
DESIGNED : YT. TAKANASHI		17. 10. 11		CODE NO. CL782-0080-0-00			
DRAWN : YT. TAKANASHI		17. 10. 11					