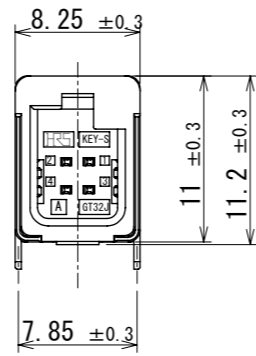
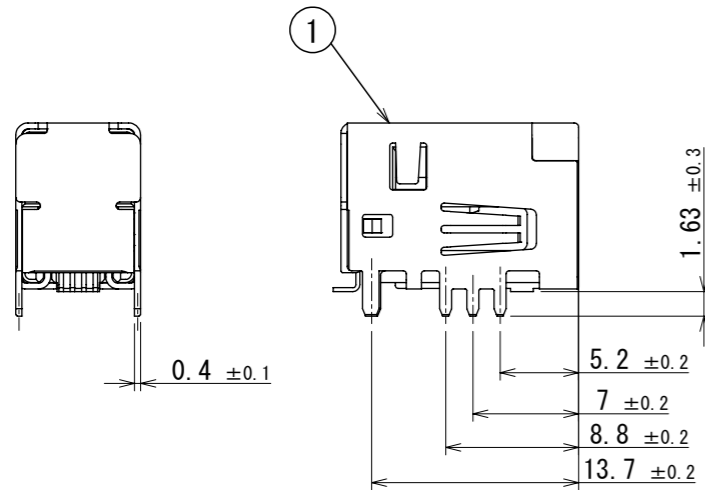
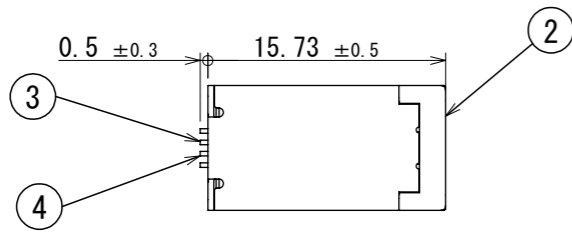
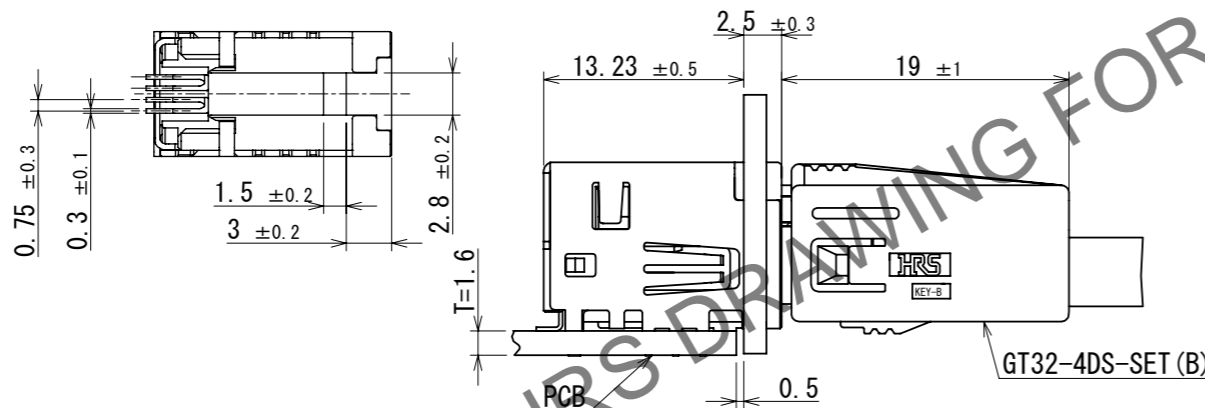


Mar.1.2025 Copyright 2025 HIROSE ELECTRIC CO., LTD. All Rights Reserved.
In case of consideration for using Automotive equipment / device which demand high reliability, kindly contact our sales window correspondents.

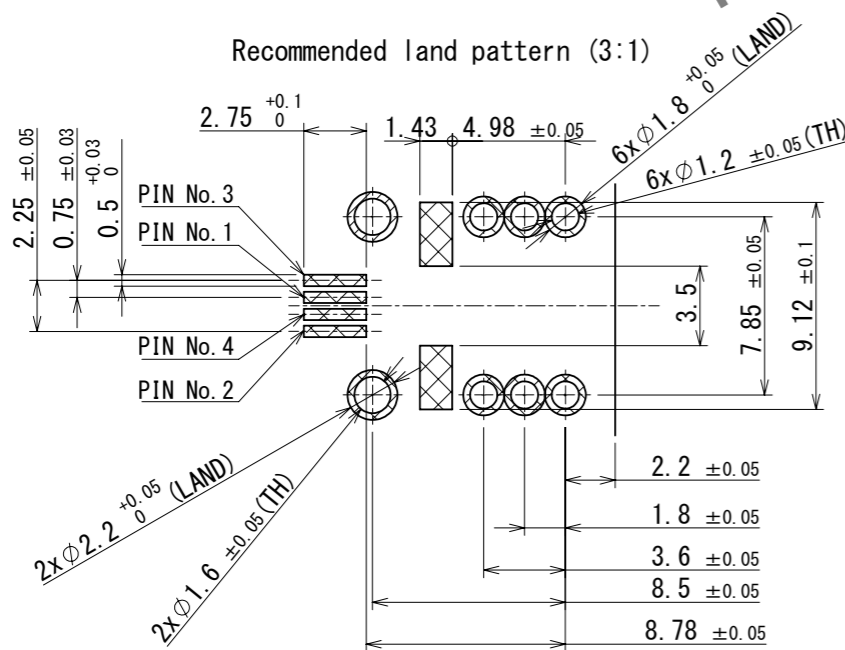
ELV, RoHS COMPLIANT



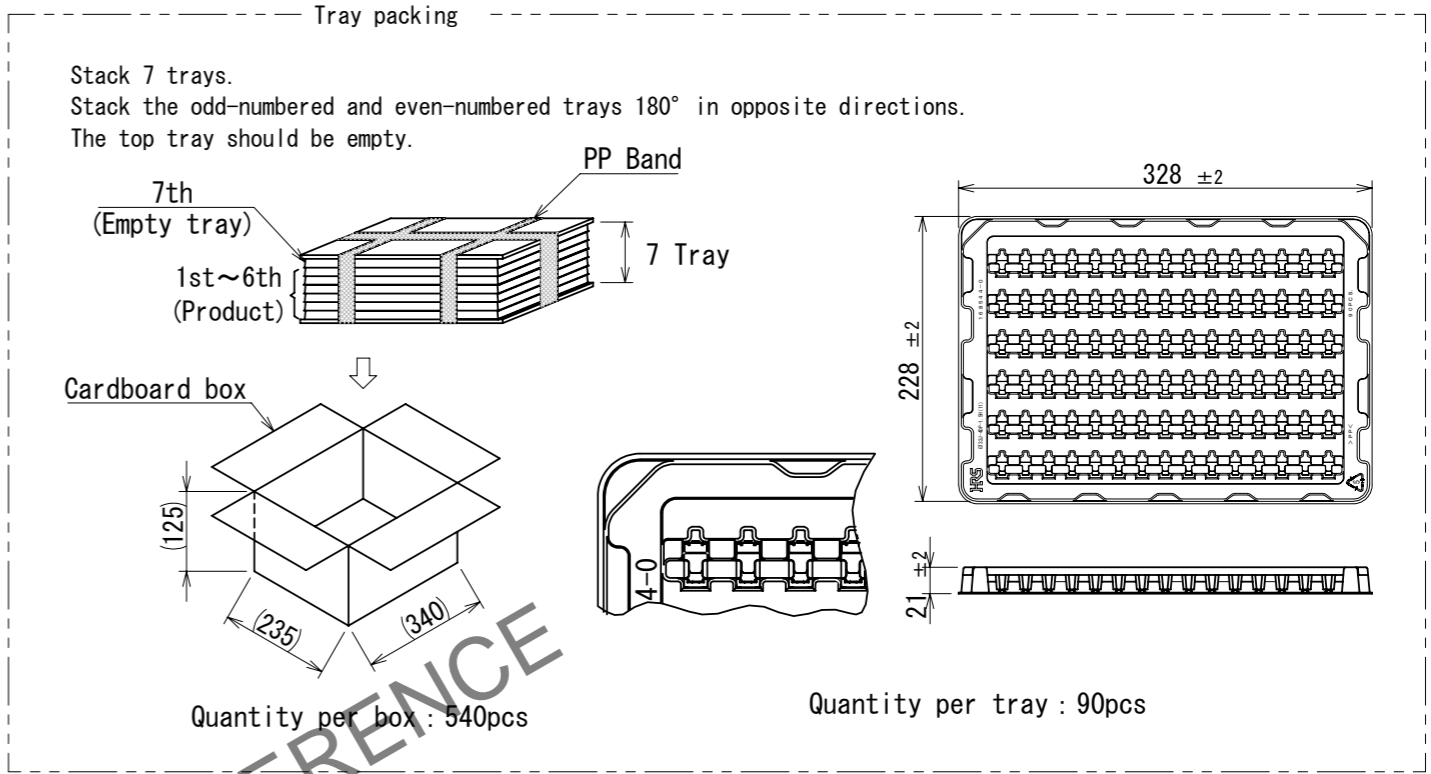
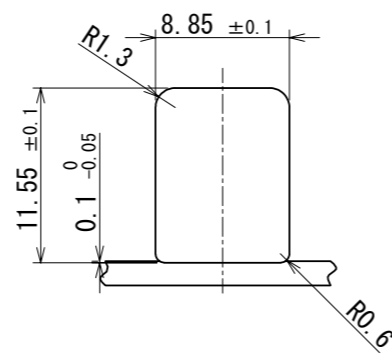
Mounting and mating state



Recommended land pattern (3:1)



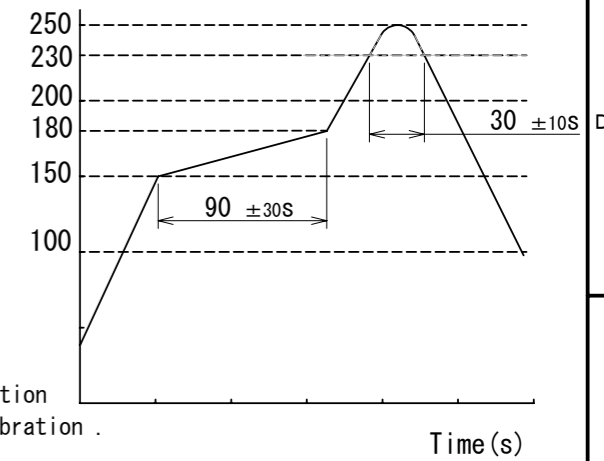
Panel size



NOTES

- Recommended temperature profile (see graph on the right)
Number of reflow times : 2 times
Peak temperature : 250°C
230° C or higher : 20 to 40s
Preheat temperature : 150 to 180°C, 60 to 120s
- Hand soldering / soldering iron temperature:
280 to 300°C, within 2s.
- Terminal coplanarity 0.1mm MAX
- Recommended PCB thickness: T=1.6mm.
- Recommended solder paste thickness: 0.12mm.
- ⊗ in the Recommended land pattern (3:1) is the pattern prohibited area.
- When routing the cable, secure the cable with appropriate position so that the wiring harness should not be pried or shaken by vibration.

Temp. (°C)



| 2 | PA | GREEN | 4 | BRASS | TIN PLATING | | | |
|--------------------------------------|--------------|-------------------------|------------|--------------------------|-------------|------------------------|---------------|------------|
| 1 | COPPER ALLOY | TIN PLATING | 3 | BRASS | TIN PLATING | | | |
| NO. | MATERIAL | FINISH | REMARKS | NO. | MATERIAL | FINISH | REMARKS | |
| UNITS | | SCALE | COUNT | DESCRIPTION OF REVISIONS | | DESIGNED | CHECKED | DATE |
| mm | | 2:1 | 0 | DIS-T-00018419 | | KN. YANAGIMOTO | EJ. WAKATSUKI | 2023.06.19 |
| HRS HIROSE ELECTRIC CO., LTD. | | APPROVED : KI. HIROKAWA | 2021.12.16 | DRAWING NO. | | EDC-393610-11-02 | | |
| | | CHECKED : EJ. WAKATSUKI | 2021.12.16 | PART NO. | | GT32J-4DP-1.5H(B) (11) | | |
| | | DESIGNED : YK. KANNO | 2021.12.16 | CODE NO. | | CL0782-0086-0-11 | | |
| | | DRAWN : YK. KANNO | 2021.12.16 | | | | | |