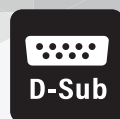


# CTF Series

## CTF Plug Case and Locking Device



D-Sub

D-Sub



Screw Lock



Wide Variation

Sep. 1.2024 Copyright 2024 HIROSE ELECTRIC CO., LTD. All Rights Reserved.



## Overview

The CTF plug case is available in 9, 15, 25, and 37-position variations, compatible with both solder (HD) and crimp (CD) types. This connector offers versatility, lightweight construction, robustness, and ease of operation.

## Features

---

1. The screw lock type ensures a strong and secure connection.
2. Accommodates both solder and crimp types with ease.

## Materials / Finish

Parts	Material	Color/Finish	Remarks	RoHS2
Plug Case	ABS Resin	25PB6/Colors	-	○
Spring Lock	Body : Stainless Steel, Screw : Steel	Scew : Nickel Plating		
Screw Lock	Steel	Nickel Plating		
Locking Device	Steel or Zinc Die Cast			
Dust Cap	Vinyl Chloride	Pale Blue	UL94V-2	
	Polyethylene Resin	Natural	-	

## Product Number Structure

Refer to the chart below when determining the product specifications from the product number.  
Please select from the product numbers listed in this catalog when placing orders.

### ● Plug Case

**HD B - CT F 1 (4-40)**

① ② ③ ④ ⑤ ⑧

### ● Locking Device

**HD - LN A (4-40)**

① ⑥ ⑦ ⑧

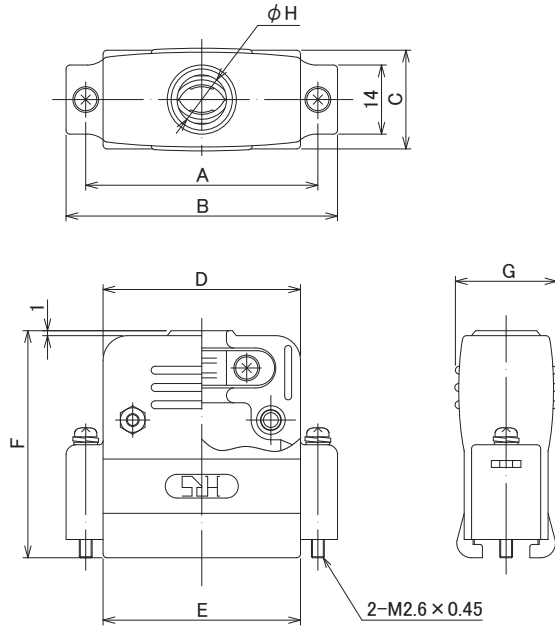
① Series Name	HD	⑤ Locking Screws	None: Locked with a screwdriver 1 : Locked by hand
② Connector Size	E : 9pos, A : 15pos, B : 25pos, C : 37pos Note : Plug case for 50pos. is not available.	⑥ Locking Device	LN : Locking device or screw type
③ Plug Case Type	CT : Plug case with a straight cable inlet opening	⑦ Serial Sign for Locking Device	None : Rectangular A : Hexagonal
④ Serial Sign for Series		⑧ Type of Screw	None : M2.6 (4-40) : Inch

## CTF Plug Case

### ● Screw Lock Type with a Screwdriver



HDB-CTF(50)



The figure is for 25pos. (HDB-CTF(50))

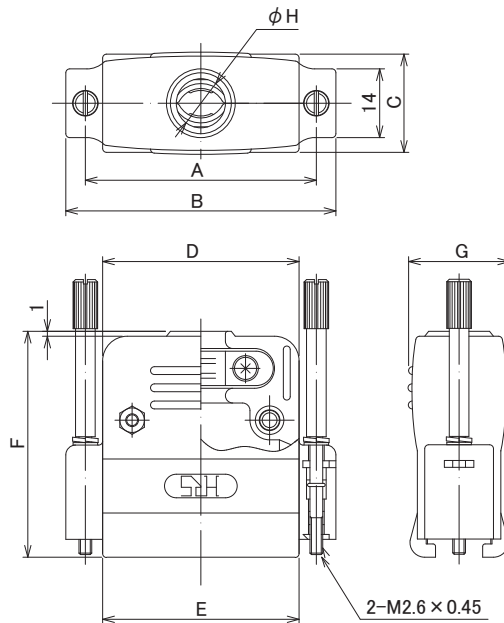
Unit : mm

Part No.	HRS No.	No. of Pos	A	B	C	D	E	F	G	H	Purchase Unit
HDE-CTF(50)	CL0211-0159-8-50	9	24.99	33.2	18.0	19.2	19.2	40.2	19.6	7.0	20pcs per bag
HDA-CTF(50)	CL0211-0160-7-50	15	33.32	41.2		27.2	27.2	43.2		9.0	
HDB-CTF(50)	CL0211-0139-0-50	25	47.04	55.0	20.0	40.0	40.0	46.0	20.8	10.0	10pcs per bag
HDC-CTF(50)	CL0211-0161-0-50	37	63.5	72.2		50.2	57.0	51.2		24.0	

### ● Screw Lock by Hands



HDB-CTF1(50)



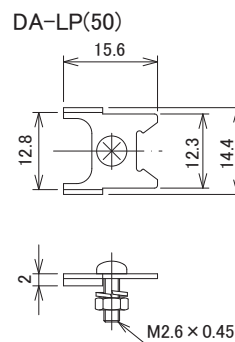
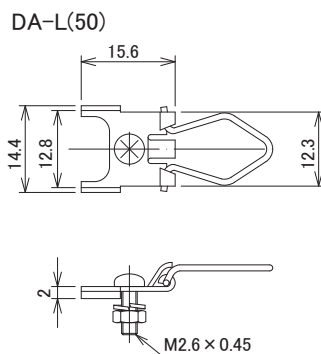
The figure is for 25pos. ((HDB-CTF1(50))

Unit : mm

Part No.	HRS No.	No. of Pos	A	B	C	D	E	F	G	H	Purchase Unit
HDE-CTF1(50)	CL0211-0168-9-50	9	24.99	33.2	18.0	19.2	19.2	40.2	19.6	7.0	20pcs per bag
HDA-CTF1(50)	CL0211-0350-2-50	15	33.32	41.2		27.2	27.2	43.2		9.0	
HDB-CTF1(50)	CL0211-0166-3-50	25	47.04	55.0	20.0	40.0	40.0	46.0	20.8	10.0	10pcs per bag
HDC-CTF1(50)	CL0211-0328-3-50	37	63.5	72.2		50.2	57.0	51.2		24.0	

## SM Series (D-sub) Accessory

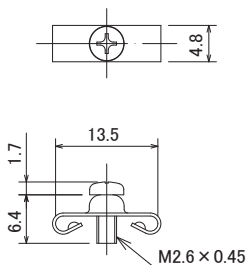
### ● Spring Lock



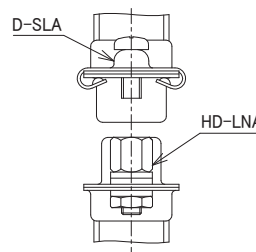
Part No.	HRS No.	Purchase Unit
DA-L(60)	CL0211-0122-8-60	100pcs per bag
DA-LP(52)	CL0211-0123-0-52	

NOTE : It cannot be used with plug cases (CTF and CTH).

### ● Screw Lock (HD-LNA)



#### Attachment Dimensions

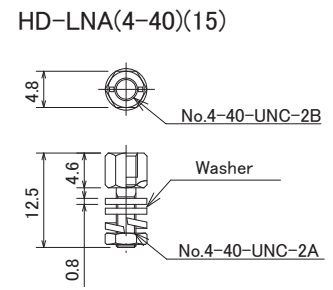
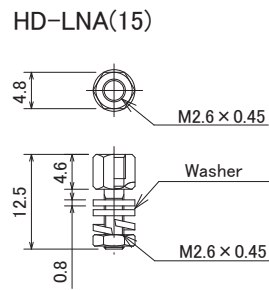
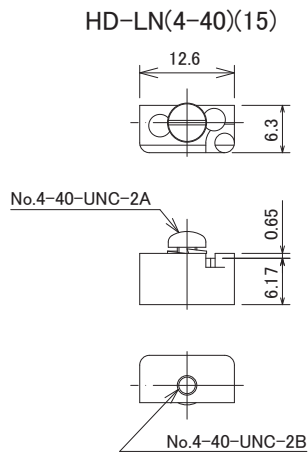
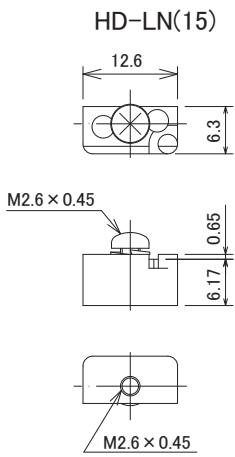


Part No.	HRS No.	Purchase Unit
D-SLA(50)	CL0211-0307-3-50	2pcs per bag

Note 1 : Applicable for 9 to 37pos.

Note 2 : Cannot be assembled with HD#-C

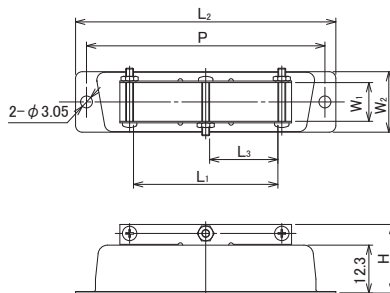
## ● Locking Device



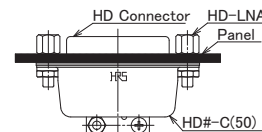
Part No.	HRS No.	Applicable Panel Thickness	No. of Washer	Purchase Unit
HD-LN(15)	CL0211-0140-0-15	Under 1.2	-	100pcs per bag
HD-LN(4-40)(15)	CL0211-0171-3-15			
HD-LNA(15) (Note)	CL0211-0172-6-15	1.6-2.0	0	100pcs per bag
HD-LNA(4-40)(15) (Note)	CL0211-0196-4-15	0.8-1.2	1	
		0-0.4	2	

Note : Adjust the number of the two washers according to the panel thickness to which they fit.

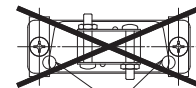
## ● Clamp



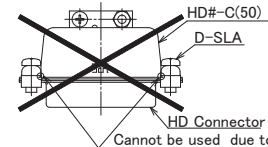
\*1 Can be Combined (Panel Side)



\*2 Cannot be Combined (Plug Side)



Cannot be used due to the interference



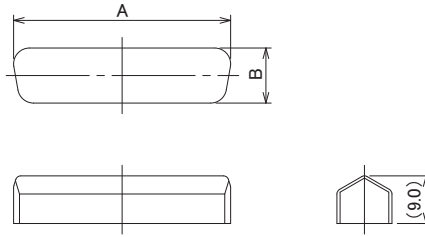
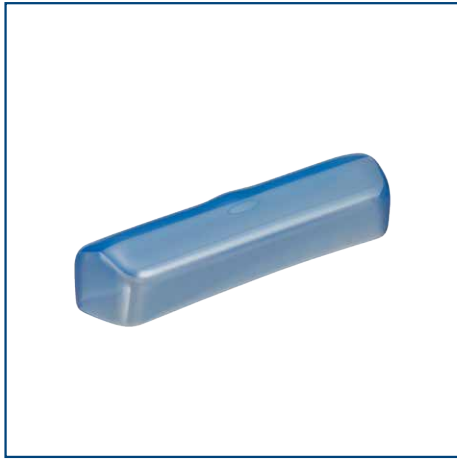
Cannot be used due to the interference

Part No.	HRS No.	No. of Pos	L <sub>1</sub>	L <sub>2</sub>	L <sub>3</sub>	P	W <sub>1</sub>	W <sub>2</sub>	H (Reference)	Purchase Unit
HDE-C(50)	CL0211-0018-6-50	9	7.3	30.56	-	24.99	7.5	12.7	16.3	20pcs per bag
HDA-C(50)	CL0211-0005-4-50	15	8.0	38.9	-	33.32				
HDB-C(50)	CL0211-0011-7-50	25	20.2	52.8	-	47.04				
HDC-C(50)	CL0211-0059-3-50	37	37.0	69.1	17.5	63.5				
HDD-C(50)	CL0211-0006-7-50	50		66.7		61.11	9.9	15.5	17.6	

Note 1 : This product can only be used on the panel side. \*1

Note 2 : Cannot be used as a cover case on the plug side because it cannot be fixed with D-SLA and HD-LNA. \*2

### ●Dust Cap



#### For Male Connector

Part No.	HRS No.	No. of Pos	A	B	Purchase Unit
DE-9P-DC1(16)	CL0211-0777-7-16	9	18.7	10.2	100pcs per bag
DA-15P-DC1(16)	CL0211-0778-0-16	15	27.0		
DB-25P-DC1(16)	CL0211-0779-2-16	25	41.0	10.4	
DC-37P-DC1(16)	CL0211-0780-1-16	37	57.7	10.6	
DD-50P-DC1(16)	CL0211-0781-4-16	50	55.0	13.3	

Note : Dust cap for male connector cannot be used for the connector with locking device (LN).

#### For Female Connector

Part No.	HRS No.	No. of Pos	A	B	Purchase Unit
DE-9S-DC1(16)	CL0211-0782-7-16	9	17.4	8.8	100pcs per bag
DA-15S-DC1(16)	CL0211-0783-0-16	15	25.6		
DB-25S-DC1(16)	CL0211-0784-2-16	25	39.3		
DC-37S-DC1(16)	CL0211-0785-5-16	37	55.8	11.6	
DD-50S-DC1(16)	CL0211-0786-8-16	50	53.4		

## While Taking into Consideration

Specifications mentioned in this catalog are reference values.

When considering to order or use this product, please review the Drawing and Product Specifications sheets.

Use an appropriate cable when using the connector in combination with cables.

If considering usage of a non-specified cable, please contact your sales representative.

If assembly process is done by jigs & tools which are not identified by Hirose, the warranty of the product may be affected.

If considering usage for below mentioned applications, please contact your sales representative.

In cases where the application will demand a high level of reliability, such as automotive, medical instruments, public infrastructure, aerospace/defense etc. Hirose must review before assurance of reliability can be given.