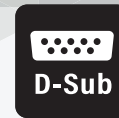


FD\*D Series

# Low-Profile D-Subminiature Connectors for Ribbon Cable



D-Sub

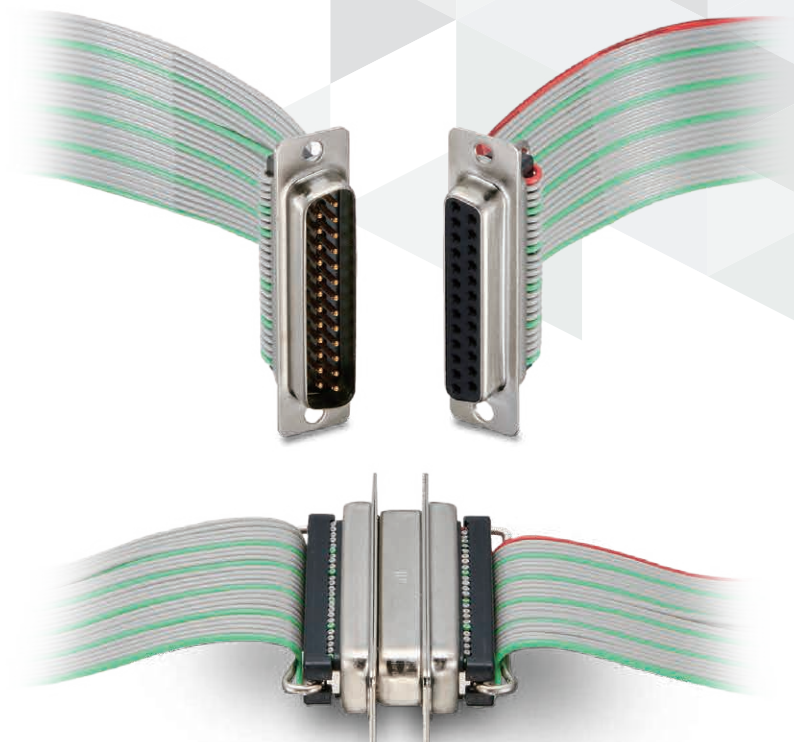
D-Sub



Displacement Contact



Ultra Low Profile



Oct. 1. 2024 Copyright 2024 HIROSE ELECTRIC CO., LTD. All Rights Reserved.



## Overview

The FD\*D series, part of Hirose's low-profile FD collection, features rectangular multi-contact connectors designed for ribbon-cable IDC termination. These connectors streamline connection work and improve wiring reliability. The applicable cables for FD\*D series are 1.38mm and standard pitch 1.27mm ribbon cable. Their minimized profile caters to the increasing demand for smaller device components. Models are available in 9, 15, 25, and 37 positions.

## Features

- 1. Metal shell : Contributes to space-saving and enhances robustness.**
- 2. Available Combinations : Offers a variety of connectors including right angle, straight, solder, crimp and ribbon IDC.**

## Product Specifications

Rated Current	1A	Operating Temperature	-55 to +85°C
Rated Voltage	200V AC		

Insulation Resistance	1,000MΩ Min. at 500V DC
Contact Resistance	25mΩ Max. at 100mA DC
Withstanding Voltage	650Vr.m.s AC for 1 min.

## Materials / Finish

Part	Materials	Color / Finish	RoHS2
Shell	Mild Steel	Nickel Plated	○
Insulator	PBT (Note)	Black	
Contact	Beryllium Steel	Nickel + Partially Gold Plated	

## Product Number Structure

Refer to the chart below when determining the product specifications from the product number. Please select from the product numbers listed in this catalog when placing orders.

### **FD B D - 25 P F (55)**

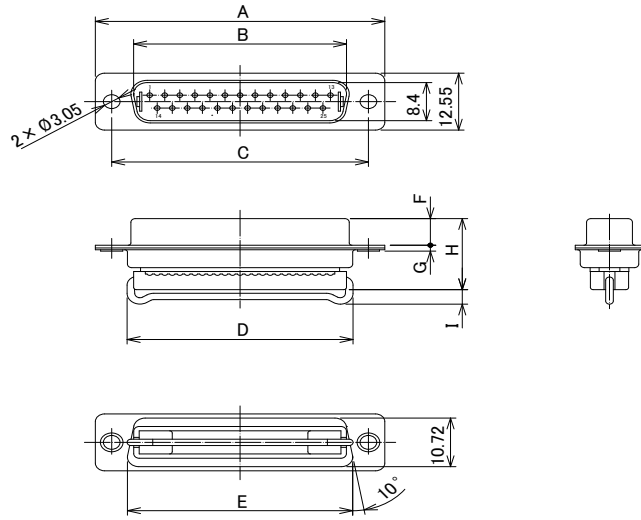
① ② ③ ④ ⑤ ⑥ ⑦

① Series Name	FD : IDC Termination Type	⑤ Contact Mating Port Gender	P : Male Contact S : Female Contact
② Shell Size	E, A, B, C	⑥ F	Shell Dimpled (male connector only)
③ Serial Symbol	D : Low Profile Type	⑦ Specifications	(55) : Nickel Plated Shell
④ No. of Pos.	9, 15, 25, 37		

## Male Connector



FDBD-25P(55)

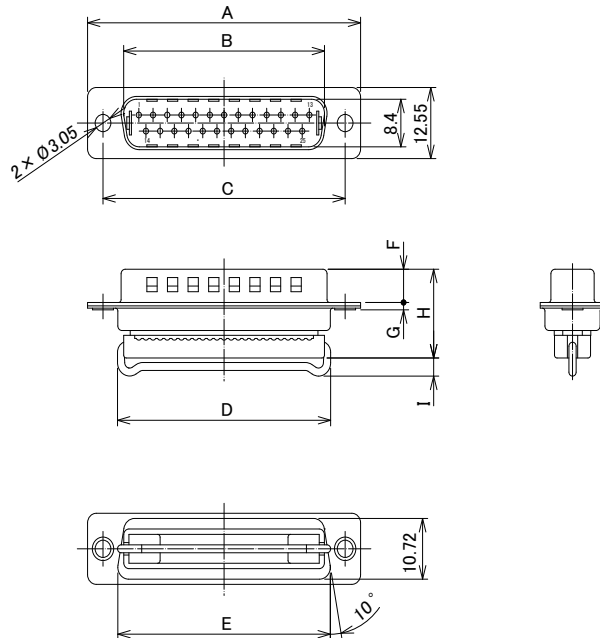


Unit : mm

Part No.	HRS No.	No. of Pos.	A	B	C	D	E	F	G	H	I	Purchase Unit
FEDE-9P(55)	CL0211-0444-4-55	9	30.81	16.9	24.99	19	19.28	5.99	1.2	15.67	2.7	10pcs per bag
FDAD-15P(55)	CL0211-0446-0-55	15	39.14	25.24	33.32	27.2	27.55					
FDBD-25P(55)	CL0211-0448-5-55	25	53.04	39.01	47.04	41.4	41.28	5.87	1.3		3.2	
FDCD-37P(55)	CL0211-0450-7-55	37	69.32	55.47	63.5	57.9	57.71		1.4			



FDBD-25PF(55)



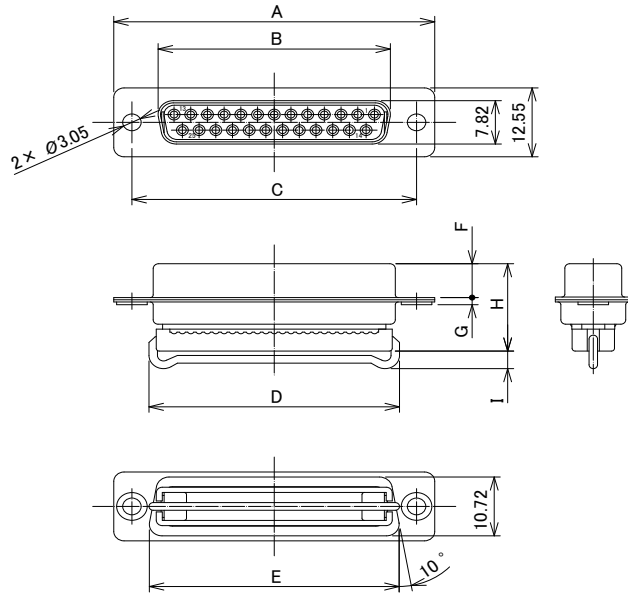
Unit : mm

Part No.	HRS No.	No. of Pos.	A	B	C	D	E	F	G	H	I	Purchase Unit
FEDE-9PF(55)	CL0211-0604-9-55	9	30.81	16.9	24.99	19	19.28	5.99	1.2	15.67	2.7	10pcs per bag
FDBD-25PF(55)	CL0211-0606-4-55	25	53.04	39.01	47.04	41.4	41.28				5.87	
FDCD-37PF(55)	CL0211-0607-7-55	37	69.32	55.47	63.5	57.9	57.71		1.4			

## Female Connector



FDBD-25S(55)

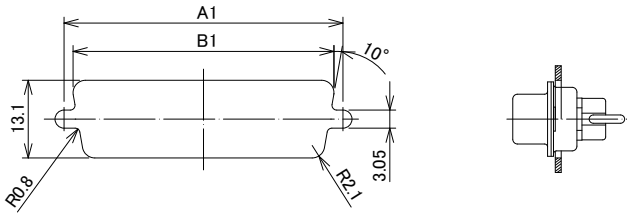


Unit : mm

Part No.	HRS No.	No. of Pos.	A	B	C	D	E	F	G	H	I	Purchase Unit
FDED-9S(55)	CL0211-0445-7-55	9	30.81	16.4	24.99	19	19.28	6.17	1.2	15.67	2.7	10pcs per bag
FDAD-15S(55)	CL0211-0447-2-55	15	39.14	24.59	33.32	27.2	27.55					
FDBD-25S(55)	CL0211-0449-8-55	25	53.04	38.3	47.04	41.4	41.28				3.2	
FDCD-37S(55)	CL0211-0451-0-55	37	69.32	54.76	63.5	57.9	57.71					

## Connector Mounting Method and Mounting Dimensions

- **Front Mounting** : Connector designed for mounting on the face of the panel.

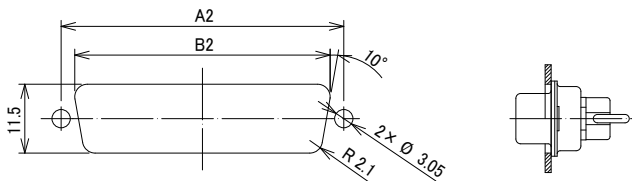


Note : A slight gap may be present between the connector and panel as the connector is designed to plug into the front of the panel.

Unit : mm

Shell Size	A1	B1
E	24.99	22
A	33.32	30.3
B	47.04	44
C	63.5	60.5

- **Rear Mounting** : Connector designed for mounting on the back of the panel.



Unit : mm

Shell Size	A2	B2
E	24.99	20.2
A	33.32	28.6
B	47.04	42.5
C	63.5	59.2

## List of Termination Tools

1. To terminate the FD\*D series, select the tools from the list below, based on the cable type used.

	Process before connection		Insulation Displacement Connection			Process after connection
	Press	Jig	Press	Guide Plate	Pressure Block	
1.38mm pitch Fusion Welding Cable	-	-	Hi-Flex Connecting Press (Universal type) CL0550-0082-2-00	FDXD-1.38GP (Universal type) CL0902-0027-3-00	Pressure Block (Please refer to below table)	-
1.27mm pitch Slit Flat Ribbon Cable Discrete Cable	-	-		FDXD-1.27GP For Discrete wire (Universal type) CL0902-0025-8-00 (Note 1)		FDXD-C Cable shear for trimming cable ends (Universal type) CL0902-0029-9-00
1.27mm pitch Flat Ribbon Cable	Hi-Flex Connecting Press (Universal type) CL0550-0082-2-00	FDXD-ST Slitting Jig (Universal type) CL0902-0028-6-00		FDXD-1.27GPF For Flat ribbon cable (Universal type) CL0902-0026-0-00 (Note 2)		

Note : By changing Wire-Guide-Plate, this Guide Plate can be used for both Note 1 and Note 2.

## 2. The list of applicable pressure block

Part No.	Pressure Block	HRS No.
FDED-9P	FDE-P Pressure Block	CL0902-0006-3-00
FDED-9S	FDE-S Pressure Block	CL0902-0007-6-00
FDAD-15P	FDA-P Pressure Block	CL0902-0009-1-00
FDAD-15S	FDA-S Pressure Block	CL0902-0010-0-00
FDBD-25P	FDB-P Pressure Block	CL0902-0003-5-00
FDBD-25S	FDB-S Pressure Block	CL0902-0004-8-00
FD CD-37P	FDC-P Pressure Block	CL0902-0012-6-00
FD CD-37S	FDC-S Pressure Block	CL0902-0013-9-00

Cable	Part No.	HRS No.
Discrete Wire	FDXD-1.27 Discrete Wire Guide Plate	CL0902-0041-4-00
Flat Cable	FDXD-1.27 Flat Cable Guide Plate	CL0902-0042-7-00

## While Taking into Consideration

Specifications mentioned in this catalog are reference values.

When considering to order or use this product, please review the Drawing and Product Specifications sheets.

Use an appropriate cable when using the connector in combination with cables.

If considering usage of a non-specified cable, please contact your sales representative.

If assembly process is done by jigs & tools which are not identified by Hirose, the warranty of the product may be affected.

If considering usage for below mentioned applications, please contact your sales representative.

In cases where the application will demand a high level of reliability, such as automotive, medical instruments, public infrastructure, aerospace/defense etc. Hirose must review before assurance of reliability can be given.

**HIROSE****HIROSE ELECTRIC CO.,LTD.**2-6-3 Nakagawa Chuoh, Tsuzuki-Ku, Yokohama-Shi 224-8540, JAPAN  
<https://www.hirose.com>