

SD Series

SD Series Straight THT Type D-Subminiature Connector



D-Sub

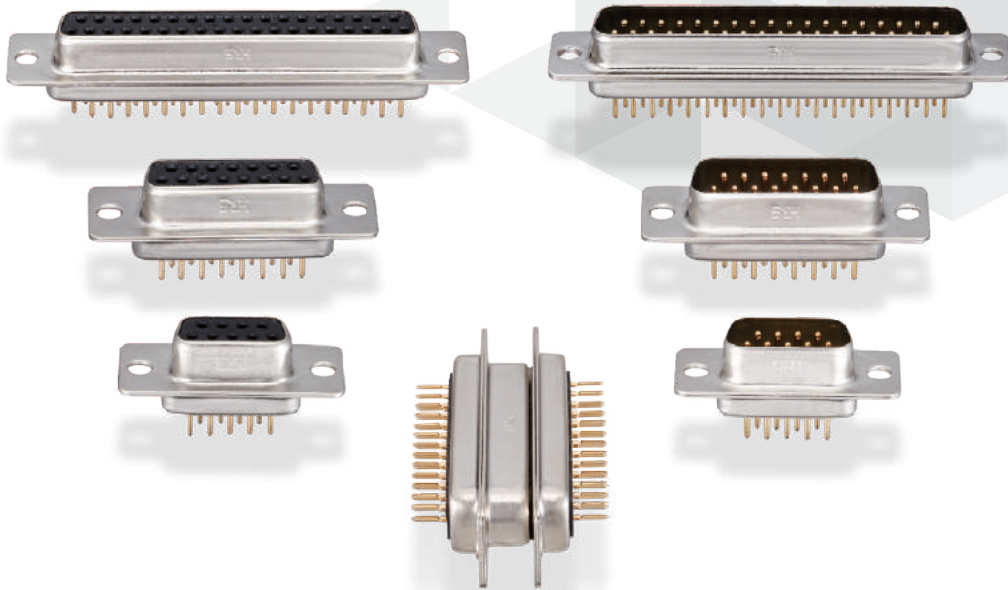
D-Sub



Wide Variation



Straight



Oct.1.2024 Copyright 2024 HIROSE ELECTRIC CO., LTD. All Rights Reserved.



Overview

The SD Series D-Sub straight THT connectors are designed for vertical mounting on PCBs. Directly connected to the PCB circuits, these connectors enable easy assembly, reducing labor efforts. The series is available in pin counts of 9, 15, 25, 37, and 50pos.

Features

1. Metal shell contributes to space-saving and robustness.
2. Available in a variety of configurations including solder, crimp, and ribbon

Product Specifications

Rated Current	3A	Operating Temperature	-55 to 85°C
Rated Voltage	350V AC		

Insulation Resistance	5000M Ω Min. at 500V DC
Contact Resistance	15m Ω Max. at 100mA DC
Withstanding Voltage	1250Vr.m.s AC for 1 min.

Materials / Finish

Component	Material	Color / Finish	RoHS
Shell	Soft Copper	Nickel Plated	Yes
Housing	PBT (Note)	Black	
Contact	Phosphorous Bronze	Contact Area : Nickel Plated + Gold Plated THT Section : Nickel Plated + Gold Flash Plated	

Note: UL94V-0

Product Number Structure

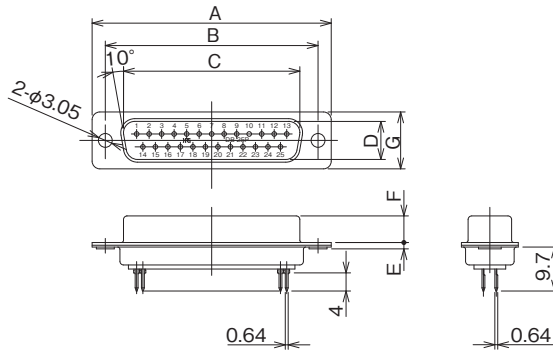
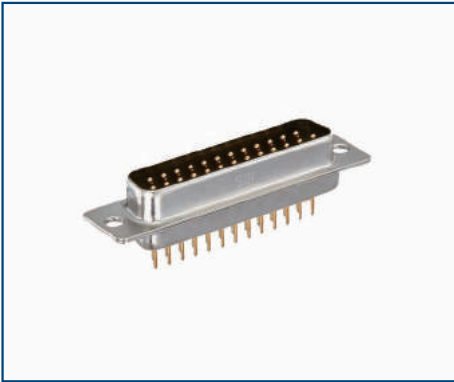
Refer to the chart below when determining the product specifications from the product number. Please select from the product numbers listed in this catalog when placing orders.

SD B B - 25 P (55)

① ② ③ ④ ⑤ ⑥

① Series Name	SD: D-Sub Straight THT Type	⑤ Contact Mating Port Gender	P : Male Contact S : Female Contact
② Shell Size	E, A, B, C, D	⑥ Specifications	(55) : Shell : Nickel Plated Contact: THT: Gold Flash Plated
③ Serial Symbol	B : Standard Type		
④ No. of Pos.	9, 15, 25, 37, 50		

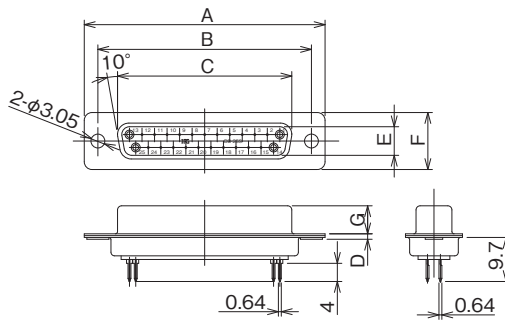
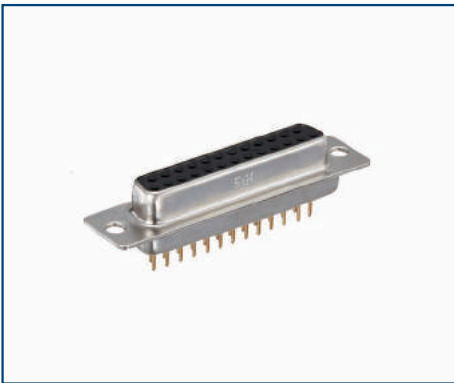
Standard Type



SDBB-25P(55)

Unit : mm

Part No.	HRS No.	No. of Pos.	A	B	C	D	E	F	G	Purchase Unit
SDEB-9P(55)	CL0211-0247-3-55	9	30.81	24.99	16.9	8.34	1.2	5.99	12.55	60pcs per tray
SDAB-15P(55)	CL0211-0249-9-55	15	39.14	33.32	25.24					40pcs per tray
SDBB-25P(55)	CL0211-0251-0-55	25	53.04	47.04	39.01	8.4	1.3	5.87		30pcs per tray
SDCB-37P(55)	CL0211-0253-6-55	37	69.32	63.5	55.47				20pcs per tray	
SDDB-50P(55)	CL0211-0395-0-55	50	66.93	61.11	52.85	11.13	1.5		15.37	48pcs per tray



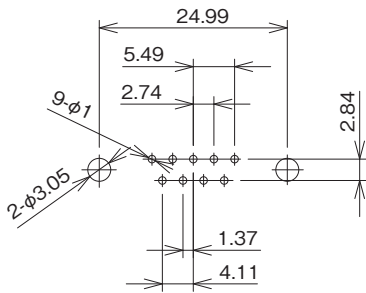
SDBB-25S(55)

Unit : mm

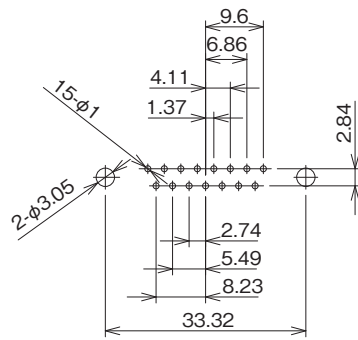
Part No.	HRS No.	No. of Pos.	A	B	C	D	E	F	G	Purchase Unit
SDEB-9S(55)	CL0211-0248-6-55	9	30.81	24.99	16.4	1.2	7.82	12.55	6.17	60pcs per tray
SDAB-15S(55)	CL0211-0250-8-55	15	39.14	33.32	24.59					40pcs per tray
SDBB-25S(55)	CL0211-0252-3-55	25	53.04	47.04	38.3					30pcs per tray
SDCB-37S(55)	CL0211-0254-9-55	37	69.32	63.5	54.76					20pcs per tray
SDDB-50S(55)	CL0211-0396-3-55	50	66.93	61.11	52.35		10.63	15.37	6.1	48pcs per tray

Back Board Dimension Diagram (mm)

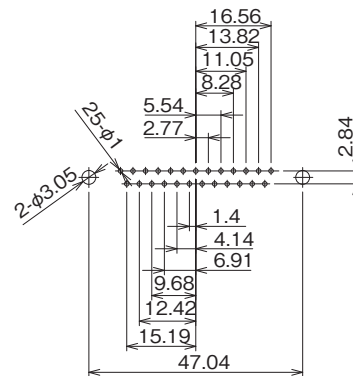
● SDEB-9



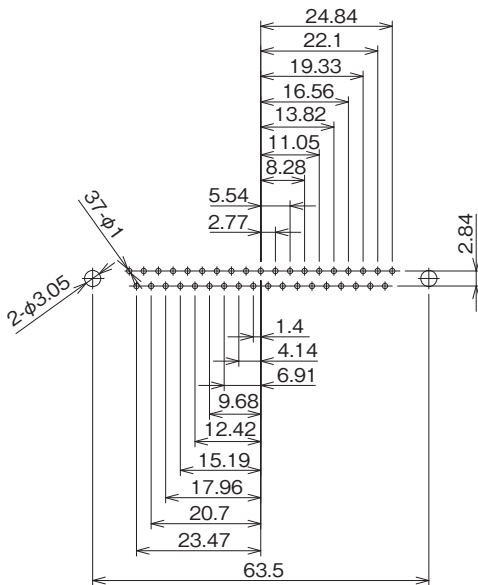
● SDAB-15



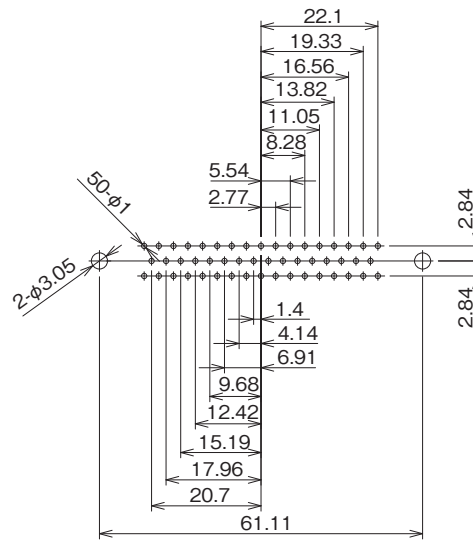
● SDBB-25



● SDCB-37

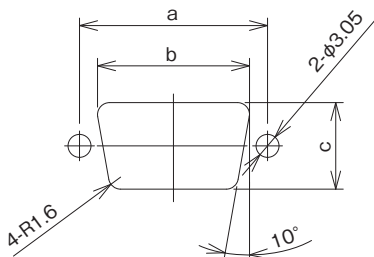


● SDDB-50



Note: Unless otherwise mentioned, please limit the tolerance within ± 0.1 .

■ Panel Cut-Out Dimensions



Shell Size	a	b	c
E	24.99	20.2	11.5
A	33.32	28.6	
B	47.04	42.3	
C	63.5	58.7	14.3
D	61.11	56	

While Taking into Consideration

Specifications mentioned in this catalog are reference values.

When considering to order or use this product, please review the Drawing and Product Specifications sheets.

Use an appropriate cable when using the connector in combination with cables.

If considering usage of a non-specified cable, please contact your sales representative.

If assembly process is done by jigs & tools which are not identified by Hirose, the warranty of the product may be affected.

If considering usage for below mentioned applications, please contact your sales representative.

In cases where the application will demand a high level of reliability, such as automotive, medical instruments, public infrastructure, aerospace/defense etc. Hirose must review before assurance of reliability can be given.