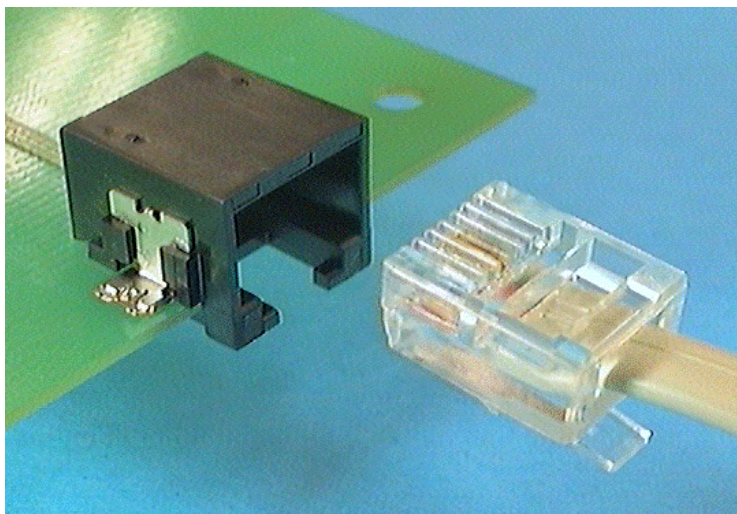


HRS TM18R Series

2 contacts* Modular Jack (with 6 pos. mating face)
for Modem Interface of Notebook PC, Hand-held computer

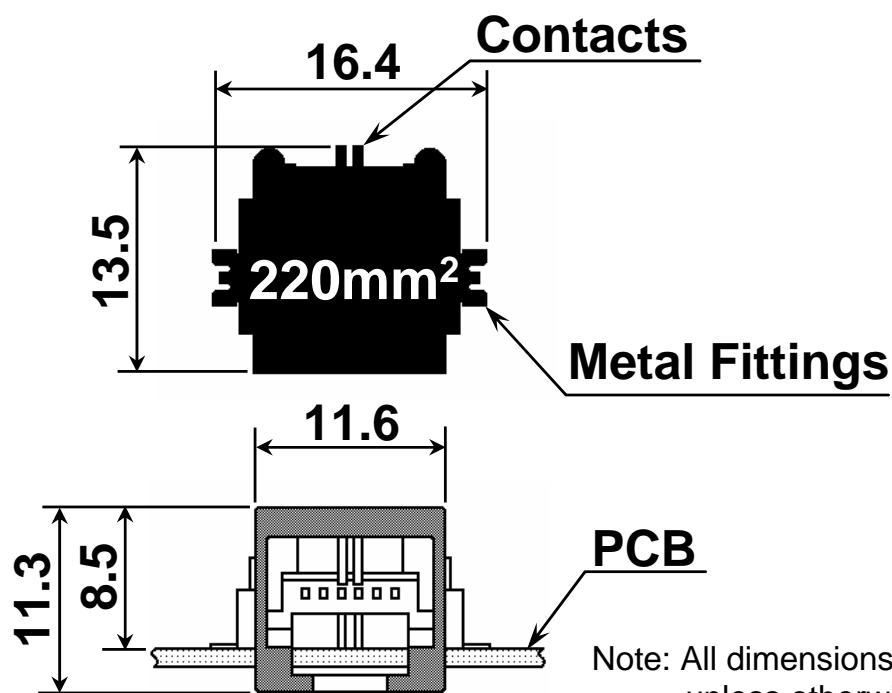


◆ Features

1. Low Profile
2. Space Saving
3. SMT Jack with Metal Fittings

* Please contact Hirose for 4, 6 contacts types availabilities.

◆ Low Profile and Space Saving



Note: All dimensions in millimeters unless otherwise specified.

Specifications herein are subject to change without notice. Contact Hirose for latest specifications, drawings or availabilities.