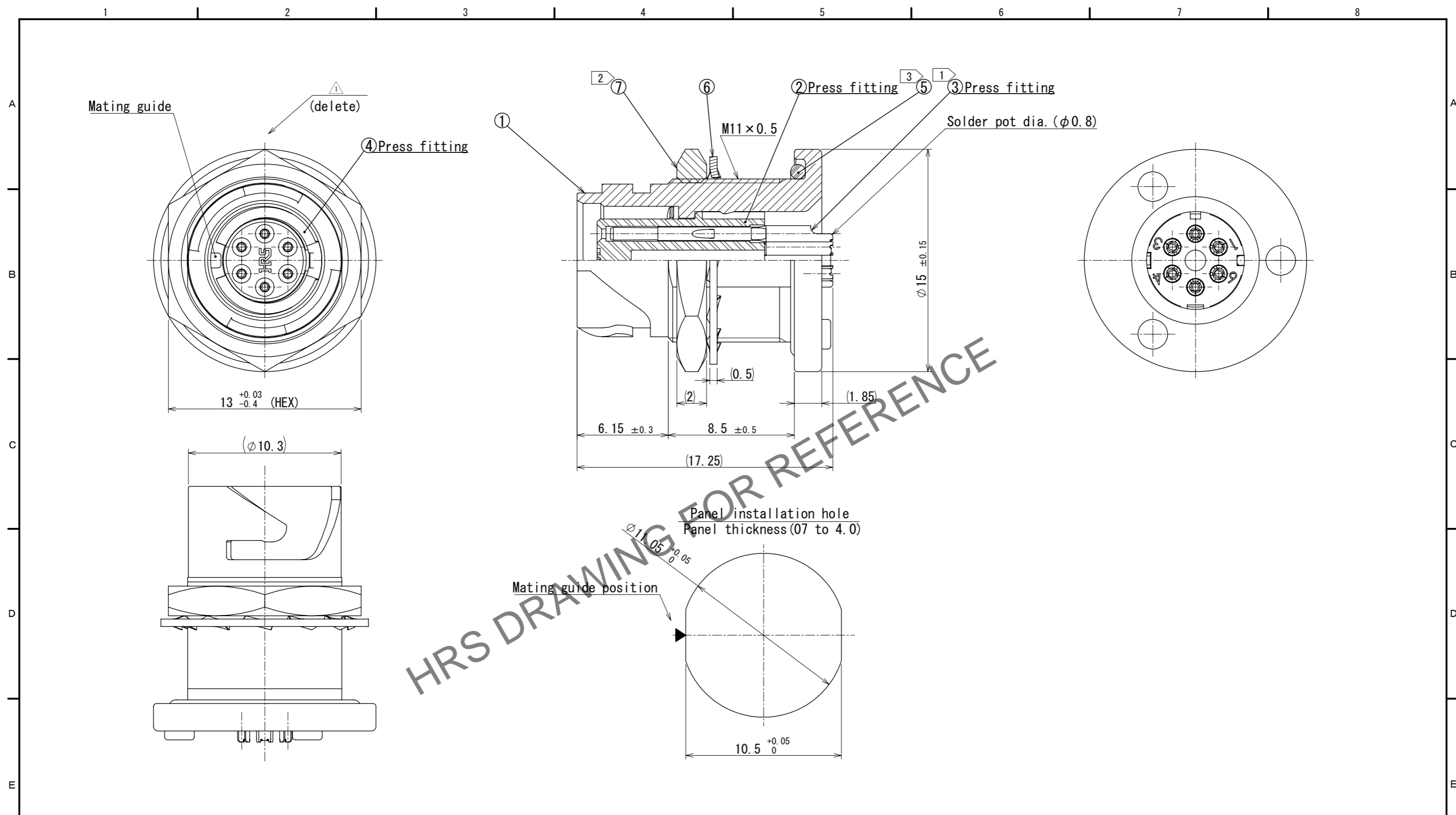


Jan.1.2025 Copyright 2025 HIROSE ELECTRIC CO., LTD. All Rights Reserved.
 In case of consideration for using Automotive equipment / device which demand high reliability, kindly contact our sales window correspondents.



HRS DRAWING FOR REFERENCE

△ CAD change

- Notes
- ① Plating (Ref. No. ③)
 Contact area : Gold 0.2 μm min.
 Others : Gold and nickel.
 Under plating: Nickel plating 2 μm min.
 - ② The recommended clamp torque of ref. No. ⑦ to be 1.5 to 2 N·m.
 Thread locker to threaded portion of ref. No. ① is recommended to prevent ref. No. ⑦ from loosening.
 Recommended thread locker : LOCTITE 263 , HENKEL JAPAN LTD.
 - ③ When this connector is mounted No to panel, be careful ref. No. ⑤ is assembled surely into the groove of ref. No. ⑤ as shown in this figure to keep waterproof effectiveness.

NO.	MATERIAL	FINISH	REMARKS	NO.	MATERIAL	FINISH	REMARKS
4	Phosphor bronze	Nickel plating		7	Brass	Nickel plating	
3	Phosphor bronze	①		6	Phosphor bronze	Nickel plating	
2	Polyphenylene sulfide	(Black) UL94V-0		5	Chloroprene rubber	(Black)	
1	Zinc alloy	Nickel plating					

UNITS	SCALE	COUNT	DESCRIPTION OF REVISIONS	DESIGNED	CHECKED	DATE
mm	4:1	2	DIS-C-00016163	Y.J. KOGA	KI. NAGANUMA	2023.09.14

HRS HIROSE ELECTRIC CO., LTD.	APPROVED : EJ. KUNII	2019.03.28	DRAWING NO.	EDC-387322-00-00
	CHECKED : EJ. KUNII	2019.03.28	PART NO.	LF07WBRB-6S
	DESIGNED : KN. IKEHARA	2019.03.27	CODE NO.	CL0136-0054-0-00
	DRAWN : KN. IKEHARA	2019.03.27		