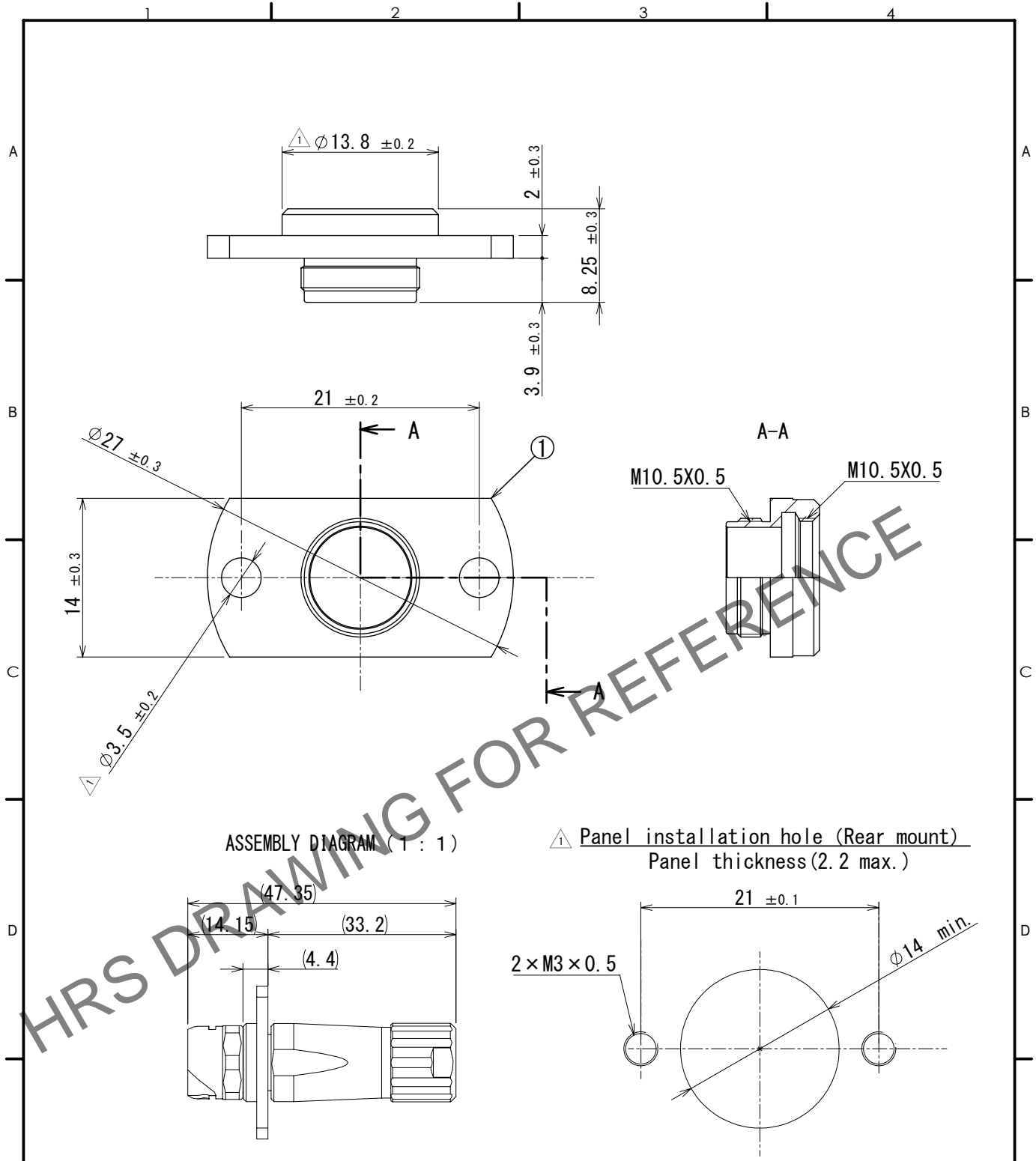


Feb.1.2025 Copyright 2025 HIROSE ELECTRIC CO., LTD. All Rights Reserved.  
 In case of consideration for using Automotive equipment / device which demand high reliability, kindly contact our sales window correspondents.



ASSEMBLY DIAGRAM (1 : 1)

△ Panel installation hole (Rear mount)  
 Panel thickness (2.2 max.)

- NOTES
- 1 This product is a flange for LF10WBJ-※(※). It is applicable regardless of given alphabets or number shown at ※.
  - 2 The recomend clamp torque:1~1.5N・m. Apply thread locker:LOCTITE 263. HENKEL JAPAN LTD.
  - 3 Rotation example of assembly diagram is shown.

1	BRASS	NICKEL PLATING						
NO.	MATERIAL	FINISH	REMARKS	NO.	MATERIAL	FINISH	REMARKS	
F	UNITS mm		SCALE 2:1	COUNT 3	DESCRIPTION OF REVISIONS DIS-C-00017151	DESIGNED Y.J. KOGA	CHECKED KI. NAGANUMA	DATE 2024. 02. 29
HIROSE ELECTRIC CO., LTD.		APPROVED : TP. KOMATSU	2024. 02. 16	DRAWING NO. EDC-118885-00-01				
		CHECKED : TP. KOMATSU	2024. 02. 16	PART NO. LF10BJ-F				
		DESIGNED : YJ. KOGA	2024. 02. 15	CODE NO. CL0136-3009-0-00				
		DRAWN : YJ. KOGA	2024. 02. 15	1/1				