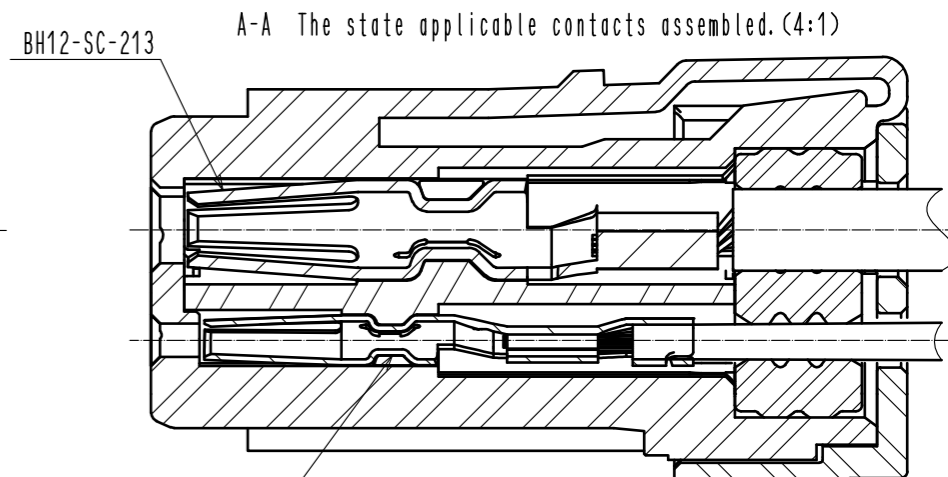
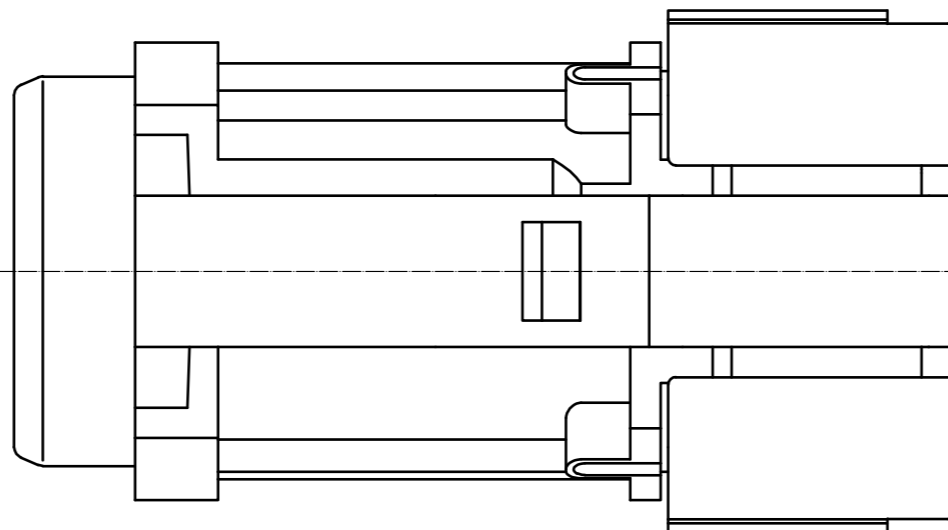
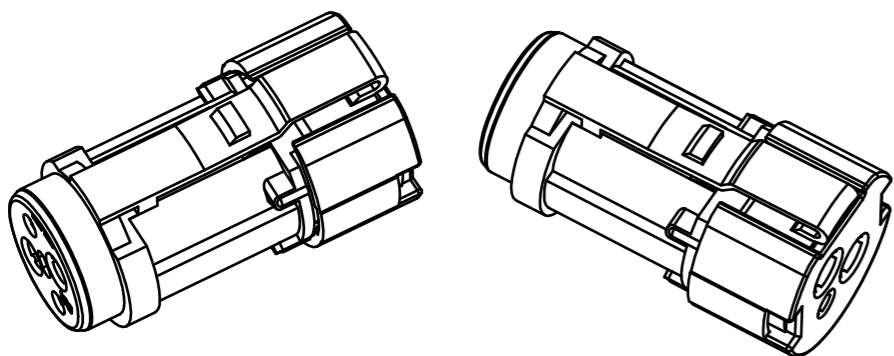


May.1.2022 Copyright 2022 HIROSE ELECTRIC CO., LTD. All Rights Reserved.  
 In case of consideration for using Automotive equipment / device which demand high reliability, kindly contact our sales window correspondents.

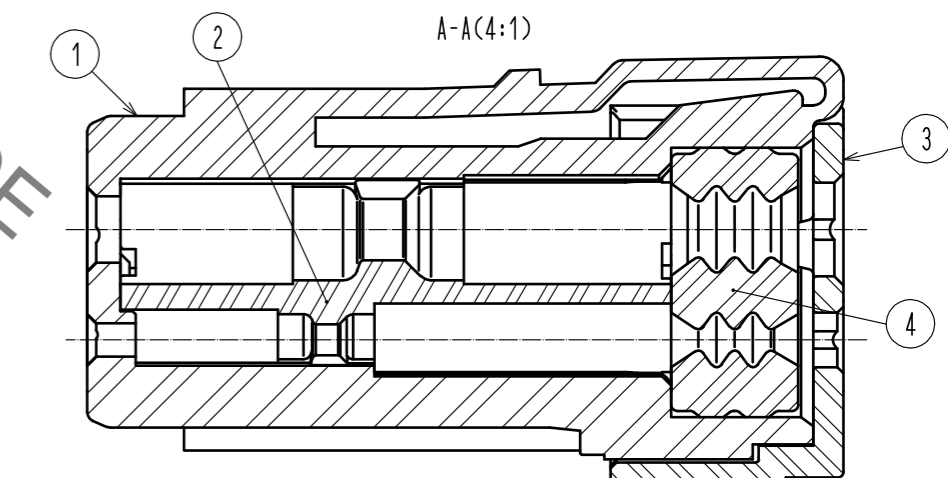
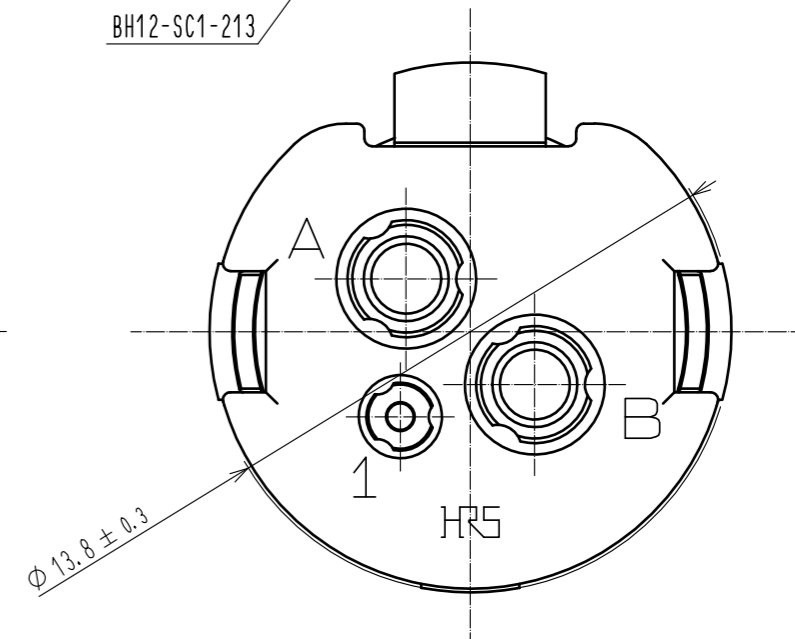
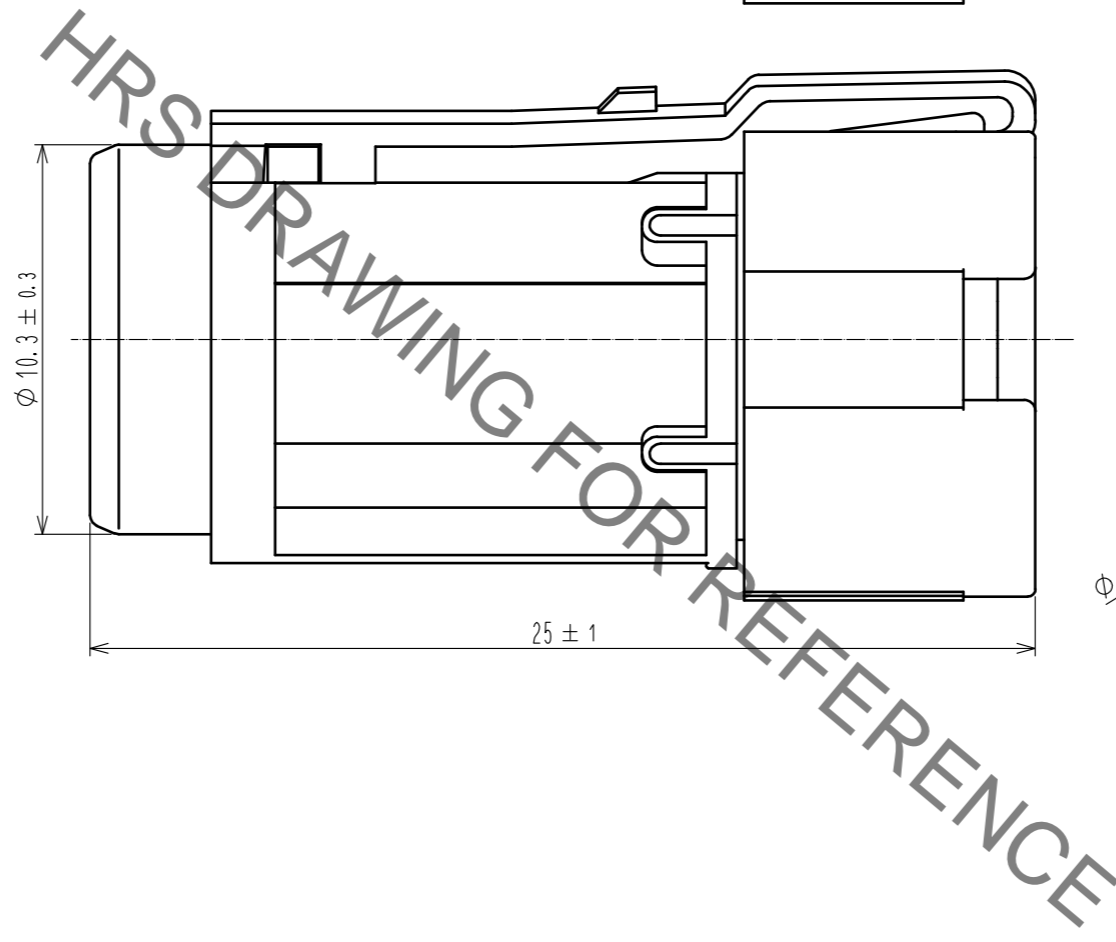
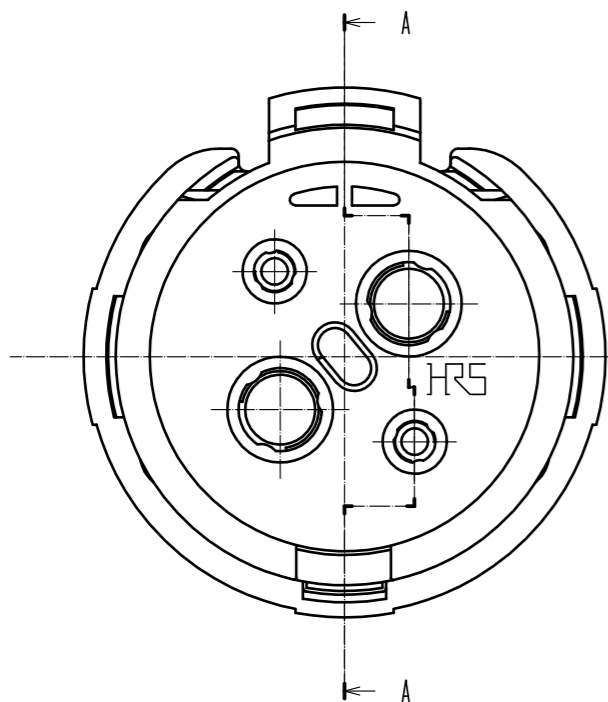
△ Shape change

Isometric drawing(2:1)



A-A The state applicable contacts assembled. (4:1)

BH12-SC1-213



A-A(4:1)

- Notes
1. This product is delivered disassembled.
  2. Applicable crimp contact  
 Power : BH12-SC-213(CL140-0014-0-00) (Applicable wire:AWG#14 to 16 Wire jacket diameter:φ2.6 to 3.0)  
 Signal : BH12-SC1-213(CCL140-0015-0-00) (Applicable wire:AWG#22 to 24 Wire jacket diameter:φ1.4 to 1.6)
  3. The assembly of this product applies to the manual ETAD-C0454-00.
  4. The cable pull and twisting strength, waterproof tightness and other characteristics may differ, depending on the cable structure, please confirm before the use.
  5. Please do not use this connector in the condition of incomplete mating. Otherwise, the electrical performance, waterproofness, and lock strength cannot meet the defined specifications.
  6. Remove the plug while pressing with a finger the lock spring on the plug to unlock. To prevent the lock hanger from being damaged or the cables from being disconnected, do not remove the plug when it is locked. Please avoid force is applied to particular cable.

2	PBT	(Black) UL94V-0	4	シリコンゴム	(Red)
1	PBT	(Black) UL94V-0	3	PBT	(Black) UL94V-0
NO.	MATERIAL	FINISH . REMARKS	NO.	MATERIAL	FINISH . REMARKS
UNITS	mm	SCALE	5 : 1	COUNT	1
DESCRIPTION OF REVISIONS		DESIGNED	HN. TANAKA	CHECKED	HY. KOBAYASHI
DIS-C-00004209		DATE	20200825	DRAWING NO. EDC-390398-00-00	
APPROVED : YH. YAMADA		20200128	PART NO. BH12WP-3SC		
CHECKED : HN. TANAKA		20200128	CODE NO. CL140-0011-0-00		
DESIGNED : SH. KOYAMA		20200128	1/1		
DRAWN : SH. KOYAMA		20200128			