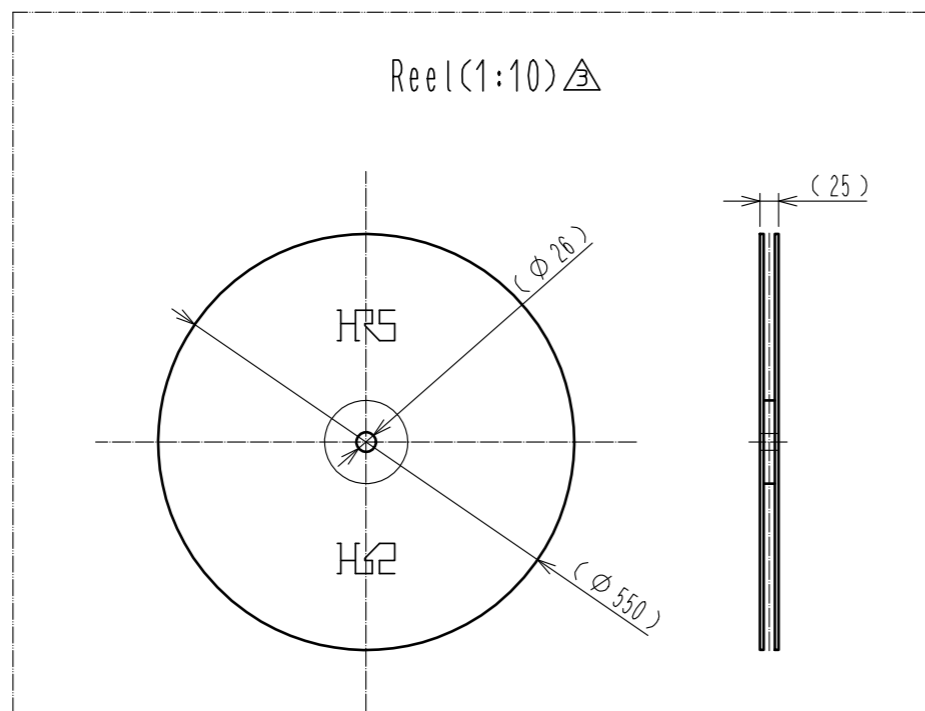
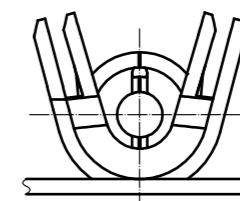
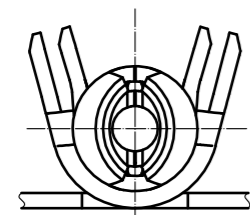
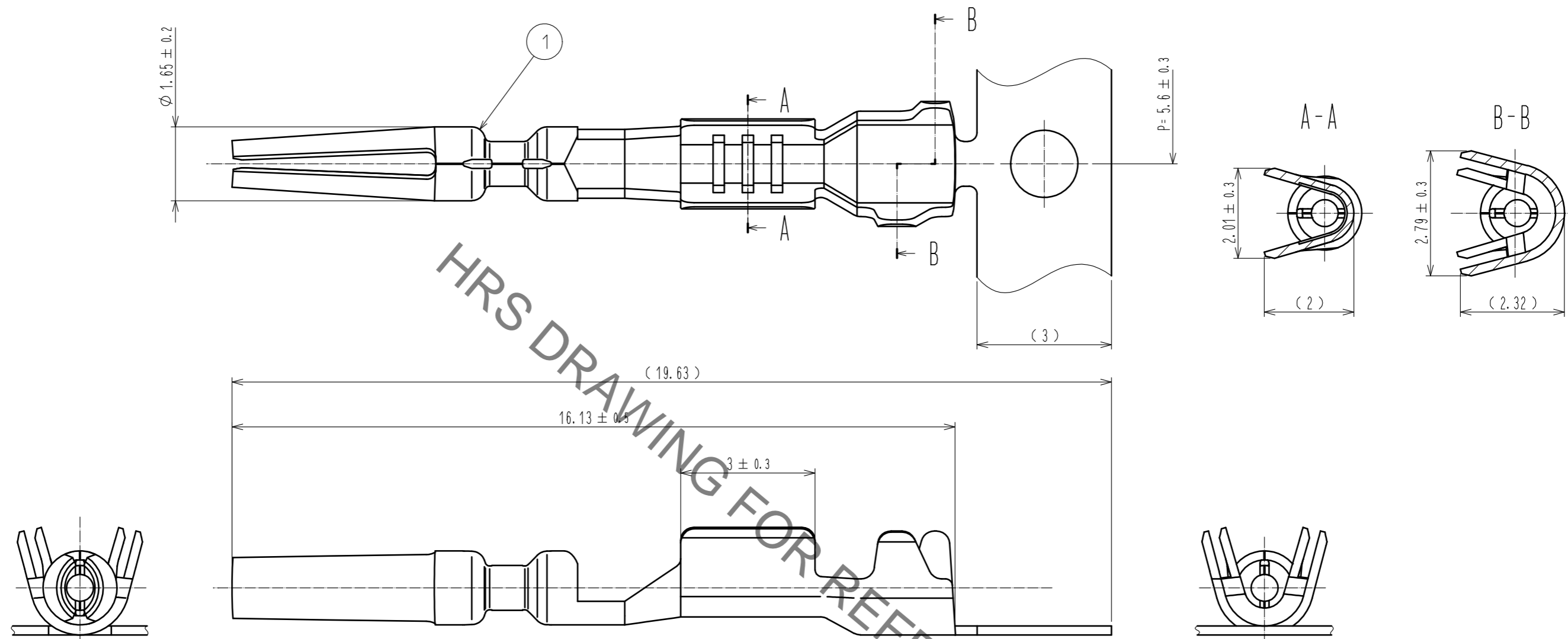


Jan.1.2022 Copyright 2022 HIROSE ELECTRIC CO., LTD. All Rights Reserved.  
 In case of consideration for using Automotive equipment / device which demand high reliability, kindly contact our sales window correspondents.



Notes 1 The product is apply to the wire AWG#22 to 24(Wire jacket diameter:  $\phi 1.4$  to  $1.6$ )  
 2 Per reel : 10,000 contacts.  
 ② ③ Surface plating : Tin plating  $0.5\mu\text{m}$  min.  
 Under plating : Nickel plating  $1\mu\text{m}$  min.  
 ④ 4 This product is coated with lubricant on the surface.  
 Oil residues may be confirmed, but there is no problem with performance.  
 In addition, if dust etc. adhere, remove it with an air blow or the like before using.

1	Copper alloy	③						
NO.	MATERIAL	FINISH .	REMARKS	NO.	MATERIAL	FINISH .	REMARKS	
UNITS		SCALE	COUNT	DESCRIPTION OF REVISIONS		DESIGNED	CHECKED	DATE
mm		10 : 1	④ 1	DIS-C-00009701		SH. KOYAMA	EJ. KUNII	20220117
<b>HRS</b> HIROSE ELECTRIC CO., LTD.		APPROVED : YH. YAMADA	20200128	DRAWING NO.		EDC-390465-00-00		
		CHECKED : HN. TANAKA	20200128	PART NO.		BH12-SC1-213		
		DESIGNED : SH. KOYAMA	20200128	CODE NO.		CL0140-0015-0-00		
		DRAWN : SH. KOYAMA	20200128			④ 1/1		