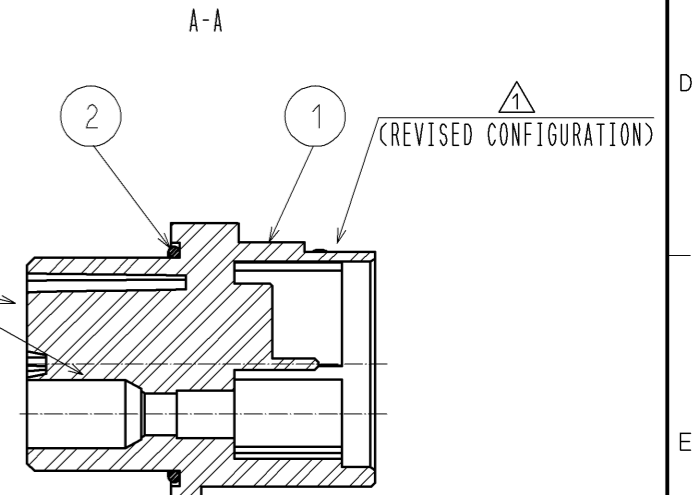
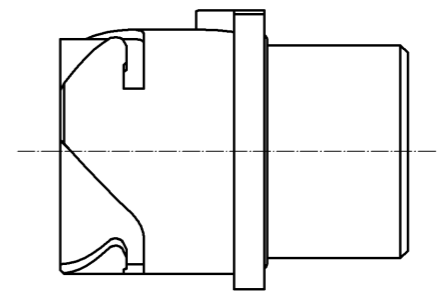
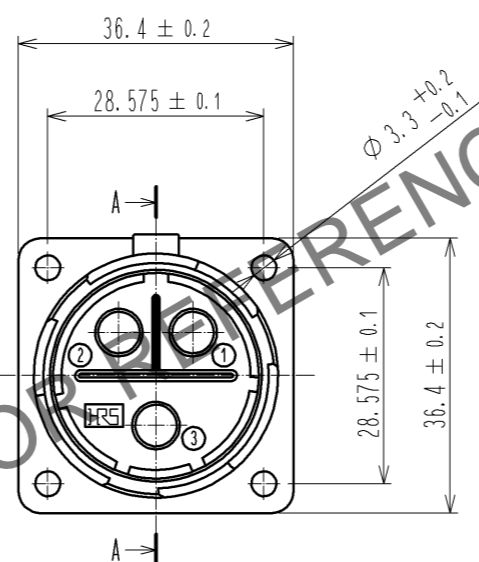
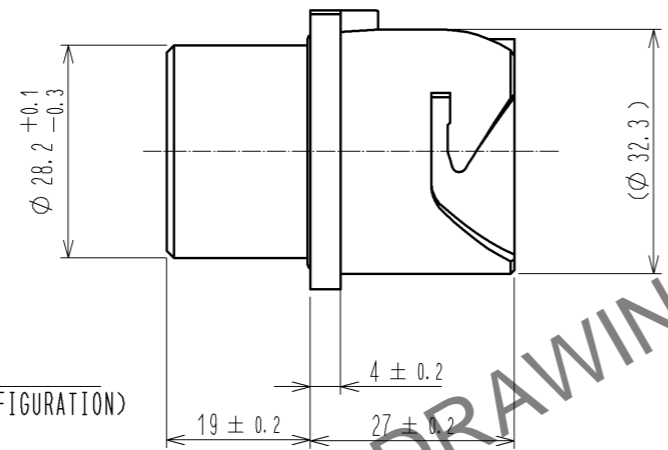
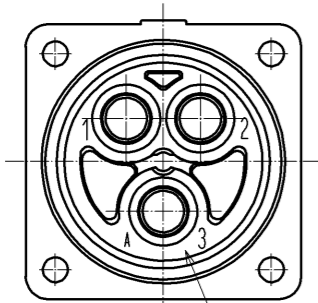
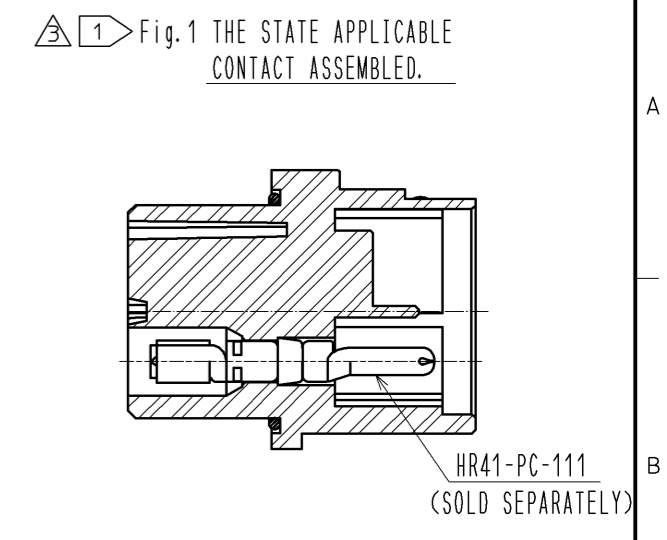
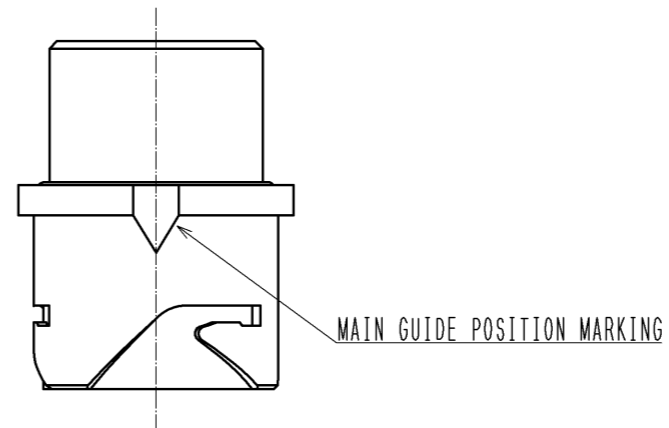
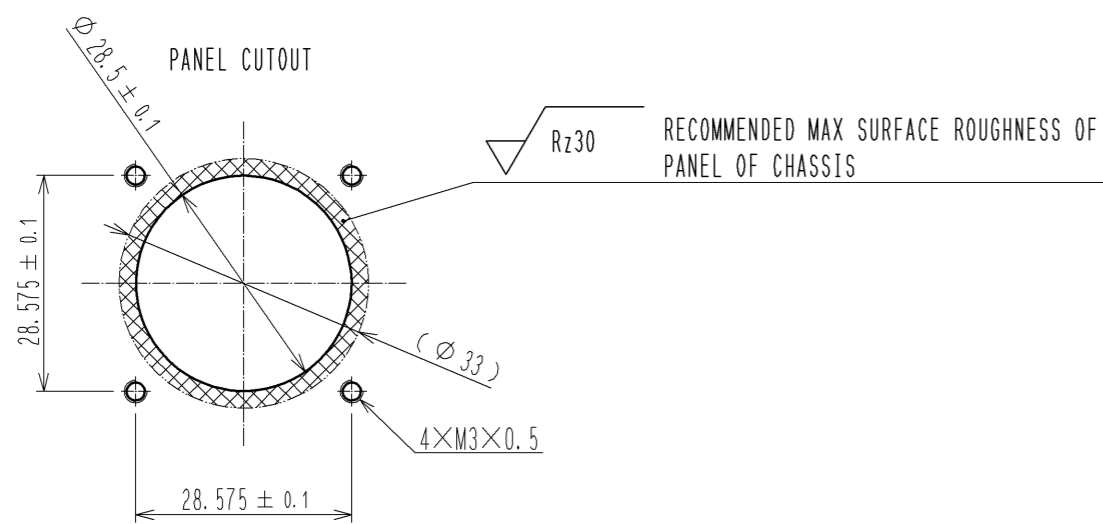


Sep.1.2024 Copyright 2024 HIROSE ELECTRIC CO., LTD. All Rights Reserved.
In case of consideration for using Automotive equipment / device which demand high reliability, kindly contact our sales window correspondents.



NOTES

1 Fig.1 SHOWS THE STATE APPLICABLE CONTACT ASSEMBLED. 2 APPLICABLE CRIMPING CONTACT:HR41-PC-111

2 APPLICABLE CRIMP CONTACT EXTRACTION TOOL:HR41-TP

3 CHECK REF NO. 2 IS PROPERLY SET AT THE GROOVE OF REF. NO. 1. WHILE MOUNTING THE CONNECTOR, MAKE SURE THAT REF NO. 2 IS NOT CAUGHT.

4 THE ASSEMBLY OF THIS PRODUCT APPLIES TO THE MANUAL ETAD-C0288

1	POLYAMIDE	(BLACK) UL94V-0	2	SILICONE RUBBER	(LIGHT RED)
NO.	MATERIAL	FINISH . REMARKS	NO.	MATERIAL	FINISH . REMARKS
UNITS mm		SCALE 1 : 1	COUNT 2	DESCRIPTION OF REVISIONS DIS-C-003016	DESIGNED KN. IKEHARA
APPROVED : SU. OBARA		11.09.01		DRAWING NO. EDC3-117586-00	
CHECKED : HY. KOBAYASHI		11.09.01		PART NO. HR41-25WBR-3PC	
DESIGNED : HT. ZENBA		11.08.30		CODE NO. CL141-0006-0-00	
DRAWN : HT. ZENBA		11.08.30		1/1	