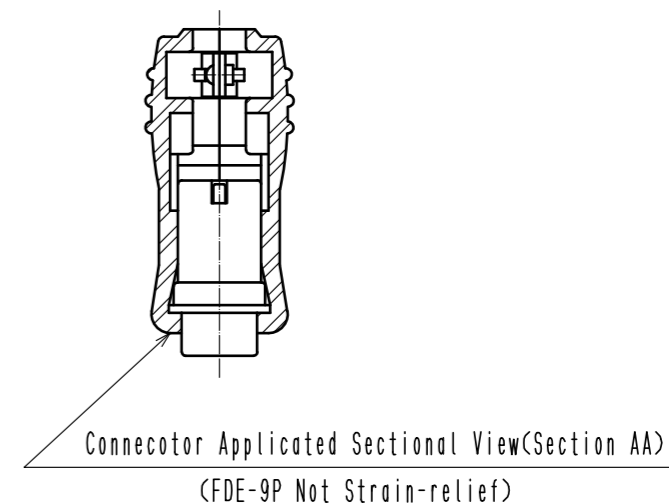
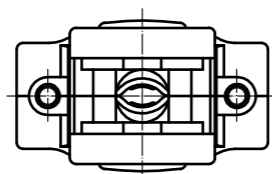
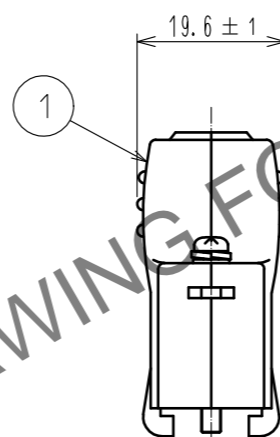
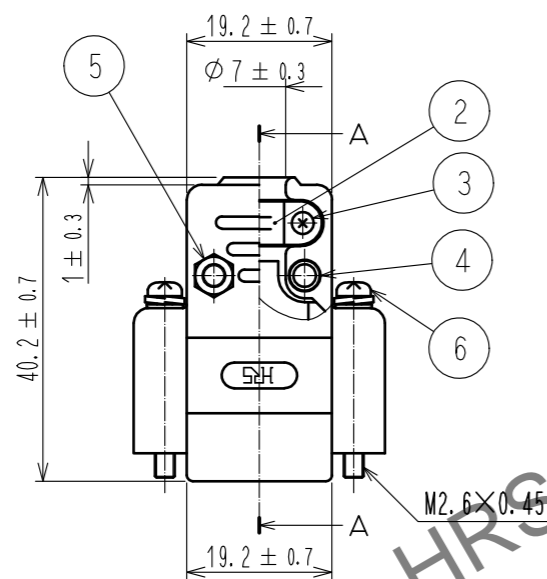
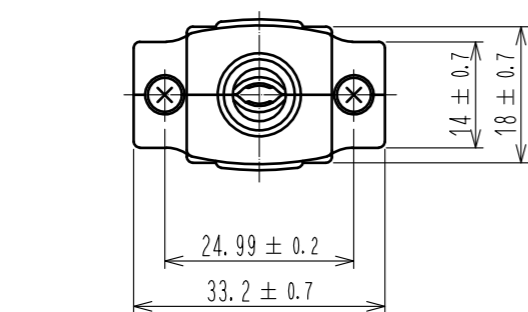


May.1.2026 Copyright 2026 HIROSE ELECTRIC CO., LTD. All Rights Reserved.
 In case of consideration for using Automotive equipment / device which demand high reliability, kindly contact our sales window correspondents.



HRS DRAWING FOR REFERENCE

3	Steel	Over Plating:Nickel 0.8μm min Under Plating:Copper 2μm min	6	Steel	Over Plating:Nickel 0.8μm min Under Plating:Copper 2μm min
2	Steel	Over Plating:Nickel 3μm min Under Plating:Copper 2μm min	5	Steel	Over Plating:Nickel 0.8μm min Under Plating:Copper 2μm min
1	ABS	(2.5PB 6/2)	4	Steel	Over Plating:Nickel 0.8μm min Under Plating:Copper 2μm min
NO.	MATERIAL	FINISH . REMARKS	NO.	MATERIAL	FINISH . REMARKS
UNITS mm		SCALE 1 : 1	COUNT 	DESCRIPTION OF REVISIONS	
HRS HIROSE ELECTRIC CO., LTD.		APPROVED : NM. NISHIMATSU 15.12.17	DESIGNED	CHECKED	DATE
		CHECKED : NM. NISHIMATSU 15.12.17	DRAWING NO. EDC-008840-50-00		
		DESIGNED : MO. SHIMOYAMA 15.12.17	PART NO. HDE-CTF(50)		
		DRAWN : MO. SHIMOYAMA 15.12.17	CODE NO. CL211-0159-8-50		
			1/1		