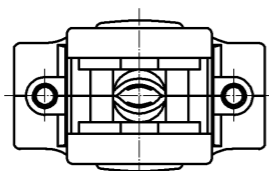
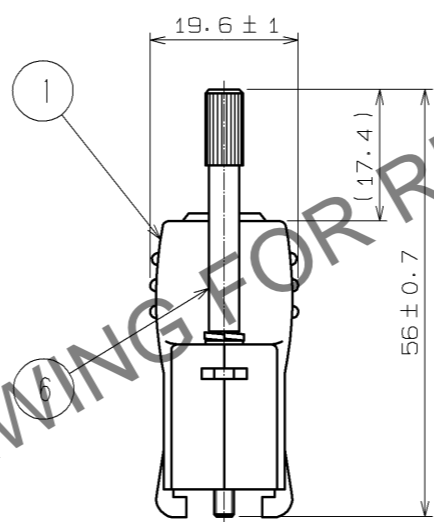
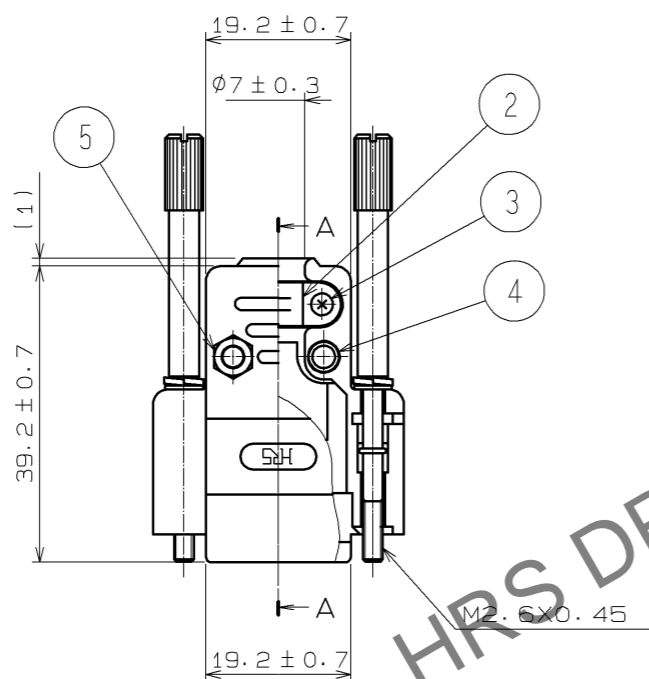
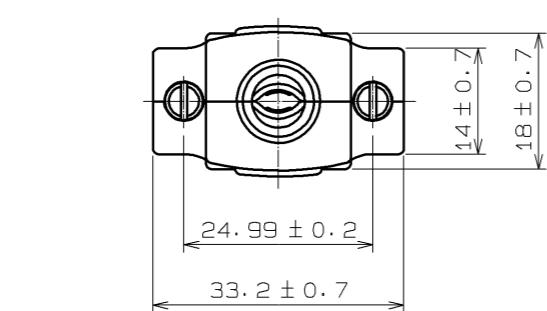
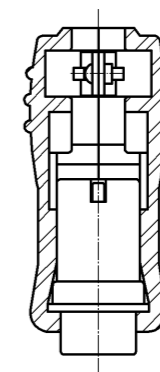


Apr.1.2026 Copyright 2026 HIROSE ELECTRIC CO., LTD. All Rights Reserved.
 In case of consideration for using Automotive equipment / device which demand high reliability, kindly contact our sales window correspondents.



CONNECTOR APPLICATED SECTIONAL VIEW(SECTION AA)
 FDE-15P NOT STRAIN-RELIEF(SCALE:FREE)



HRS DRAWING FOR REFERENCE

3	STEEL	OVER: Ni 0.8μm min UNDER: Cu 2μm min	6	STEEL	OVER: Ni 0.8μm min UNDER: Cu 2μm min
2	STEEL	OVER: Ni 3μm min UNDER: Cu 2μm min	5	STEEL	OVER: Ni 0.8μm min UNDER: Cu 2μm min
1	ABS	(2.5PB6.0/2.0)UL94HB	4	STEEL	OVER: Ni 0.8μm min UNDER: Cu 2μm min
NO.	MATERIAL	FINISH . REMARKS	NO.	MATERIAL	FINISH . REMARKS

UNITS mm		SCALE 2 : 1	COUNT △	DESCRIPTION OF REVISIONS	DESIGNED	CHECKED	DATE
HIROSE ELECTRIC CO., LTD.				APPROVED : SR. KIKUTA 07.11.20	DRAWING NO. EDC3-008909-01		
				CHECED : YH. ENAMI 07.11.20	PART NO. HDE-CTF1(50)		
				DESIGNED : MT. ITANO 07.11.20	CODE NO. CL211-0168-9-50		
				DRAWN : MT. ITANO 07.11.20	1/1		