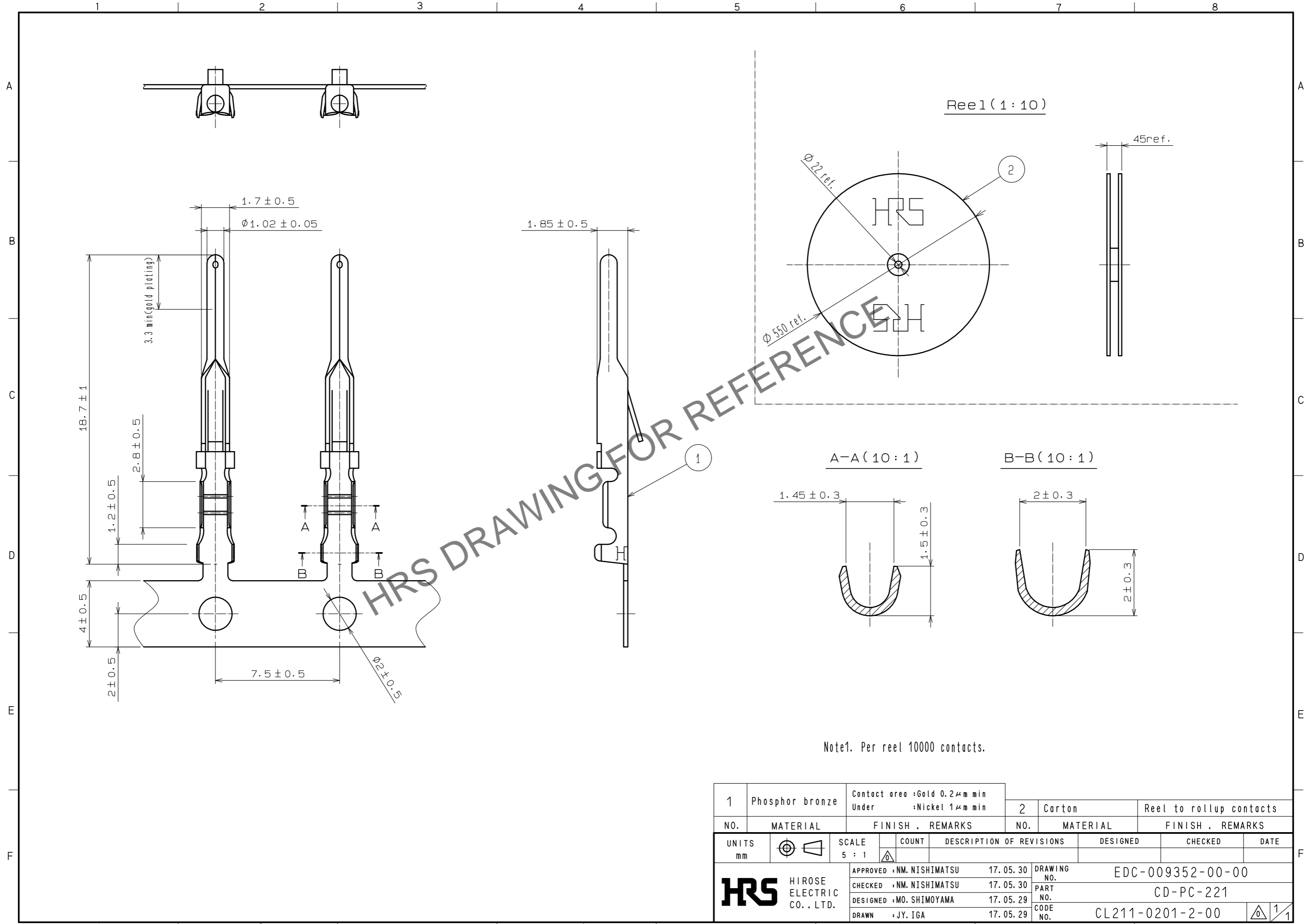


Nov.1.2024 Copyright 2024 HIROSE ELECTRIC CO., LTD. All Rights Reserved.
 In case of consideration for using Automotive equipment / device which demand high reliability, kindly contact our sales window correspondents.



Note1. Per reel 10000 contacts.

1	Phosphor bronze	Contact area :Gold 0.2 μ m min Under :Nickel 1 μ m min	2	Carton	Reel to rollup contacts		
NO.	MATERIAL	FINISH . REMARKS	NO.	MATERIAL	FINISH . REMARKS		
UNITS mm		SCALE 5 : 1	COUNT 	DESCRIPTION OF REVISIONS	DESIGNED	CHECKED	DATE
HRS	HIROSE ELECTRIC CO., LTD.	APPROVED : NM. NISHIMATSU	17. 05. 30	DRAWING NO.	EDC-009352-00-00		
		CHECKED : NM. NISHIMATSU	17. 05. 30	PART NO.	CD-PC-221		
		DESIGNED : MO. SHIMOYAMA	17. 05. 29	CODE NO.	CL211-0201-2-00		
		DRAWN : JY. IGA	17. 05. 29				