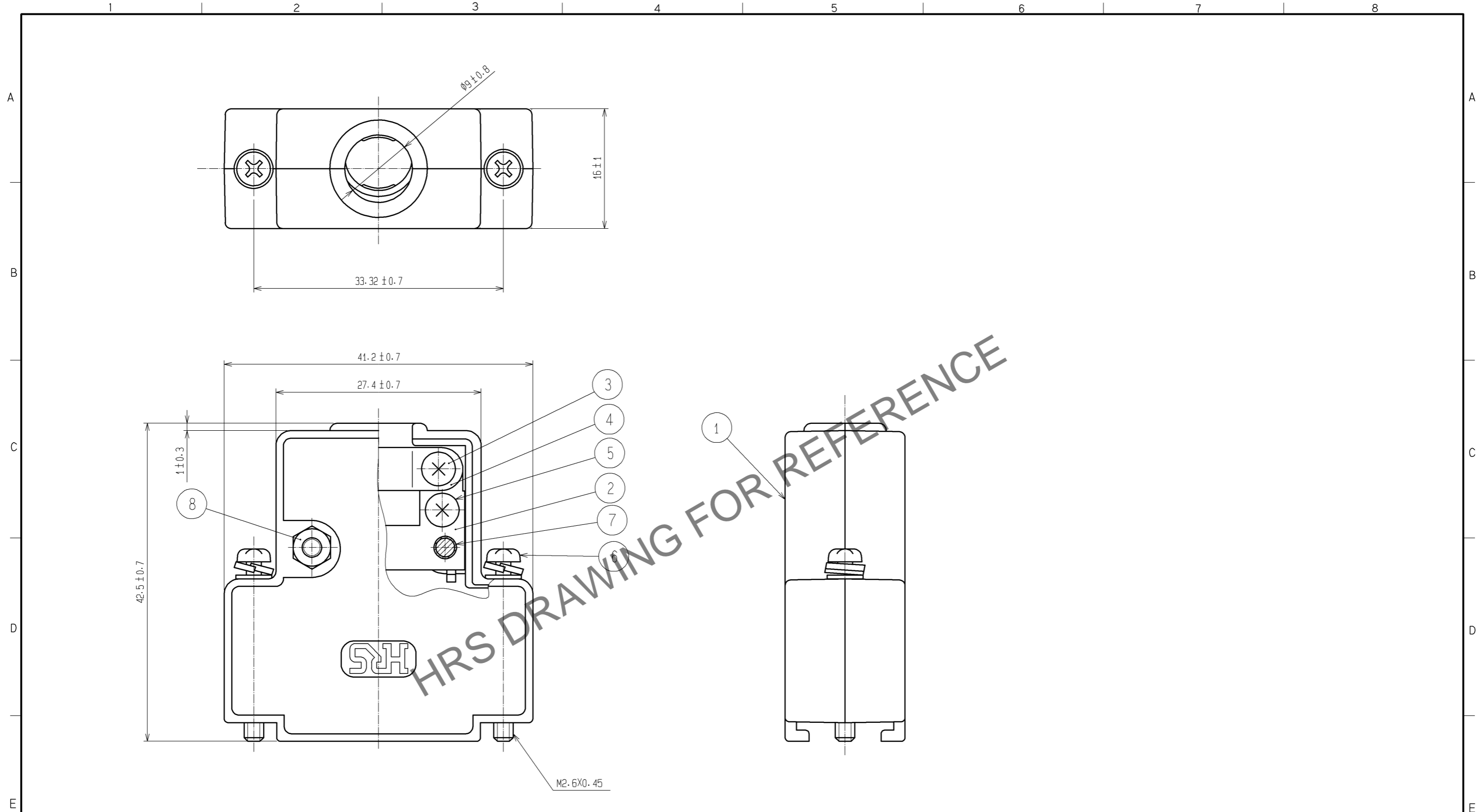


Apr.1.2026 Copyright 2026 HIROSE ELECTRIC CO., LTD. All Rights Reserved.
 In case of consideration for using Automotive equipment / device which demand high reliability, kindly contact our sales window correspondents.



NO.	MATERIAL	FINISH . REMARKS	NO.	MATERIAL	FINISH . REMARKS
4	STEEL	OVER PLATING : NICKEL 3 μ m min. UNDER PLATING: COPPER 2 μ m min.	8	STEEL	OVER PLATING : NICKEL HEX NUT, M2.6X0.45
3	STEEL	OVER PLATING : NICKEL 0.8 μ m min. UNDER PLATING: COPPER 2 μ m min.	7	STEEL	OVER PLATING : NICKEL 0.8 μ m min.+ PAN HEAD MACHINE SCREW UNDER PLATING: COPPER 2 μ m min. WITH SW M2.6X0.45
2	STEEL	OVER PLATING : NICKEL 3 μ m min. UNDER PLATING: COPPER 2 μ m min.	6	STEEL	OVER PLATING : NICKEL 0.8 μ m min.+ PAN HEAD MACHINE SCREW UNDER PLATING: COPPER 2 μ m min. WITH SW M2.6X0.45
1	ABS	OVER PLATING : CHROME 0.2 μ m min. UL94HB UNDER PLATING: NICKEL 10 μ m min.	5	STEEL	OVER PLATING : NICKEL 0.8 μ m min.+ PAN HEAD MACHINE SCREW UNDER PLATING: COPPER 2 μ m min. WITH SW M2.6X0.45

UNITS	SCALE	COUNT	DESCRIPTION OF REVISIONS	DESIGNED	CHECKED	DATE
mm	2 : 1	△				
HRS HIROSE ELECTRIC CO., LTD.			APPROVED : RI. TAKAYASU 12.10.17 CHECKED : EJ. WAKATSUKI 12.10.17 DESIGNED : MO. SHIMOYAMA 12.10.17 DRAWN : TY. ITO 12.10.16	DRAWING NO. EDC3-010051-01 PART NO. HDA-CTH(10) CODE NO. CL211-0277-4-10		