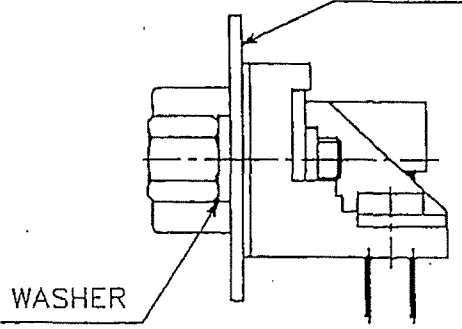
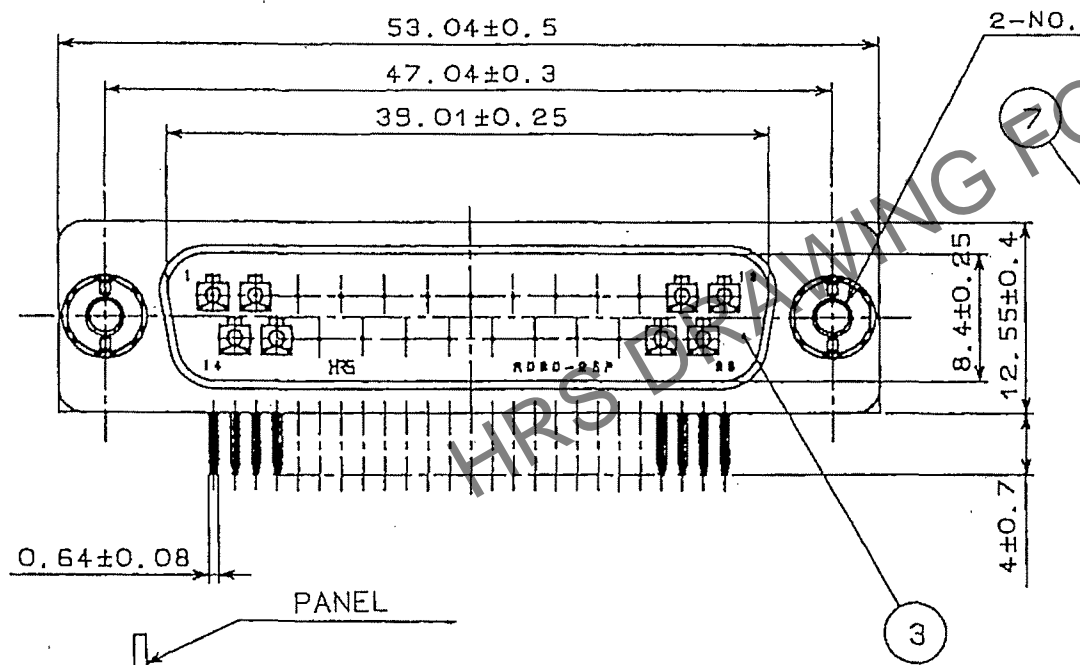
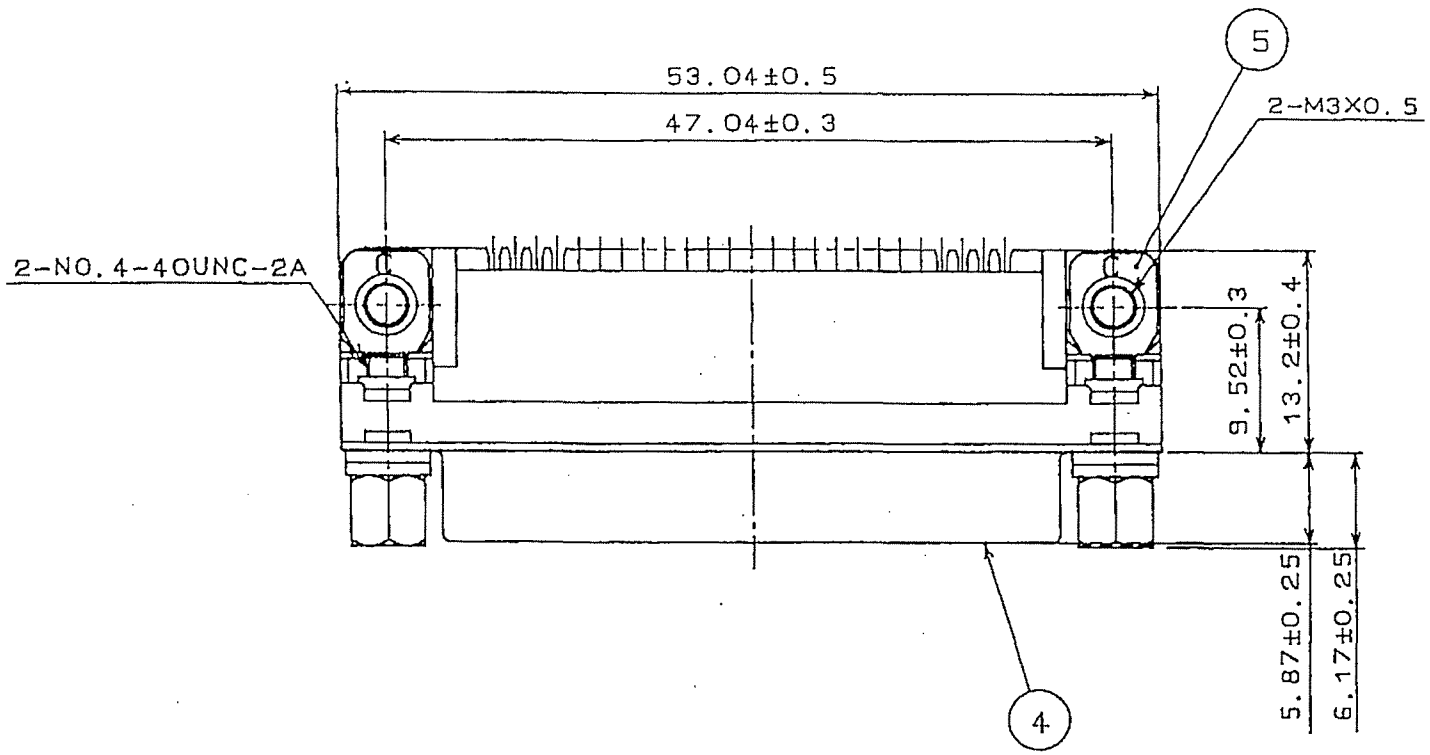


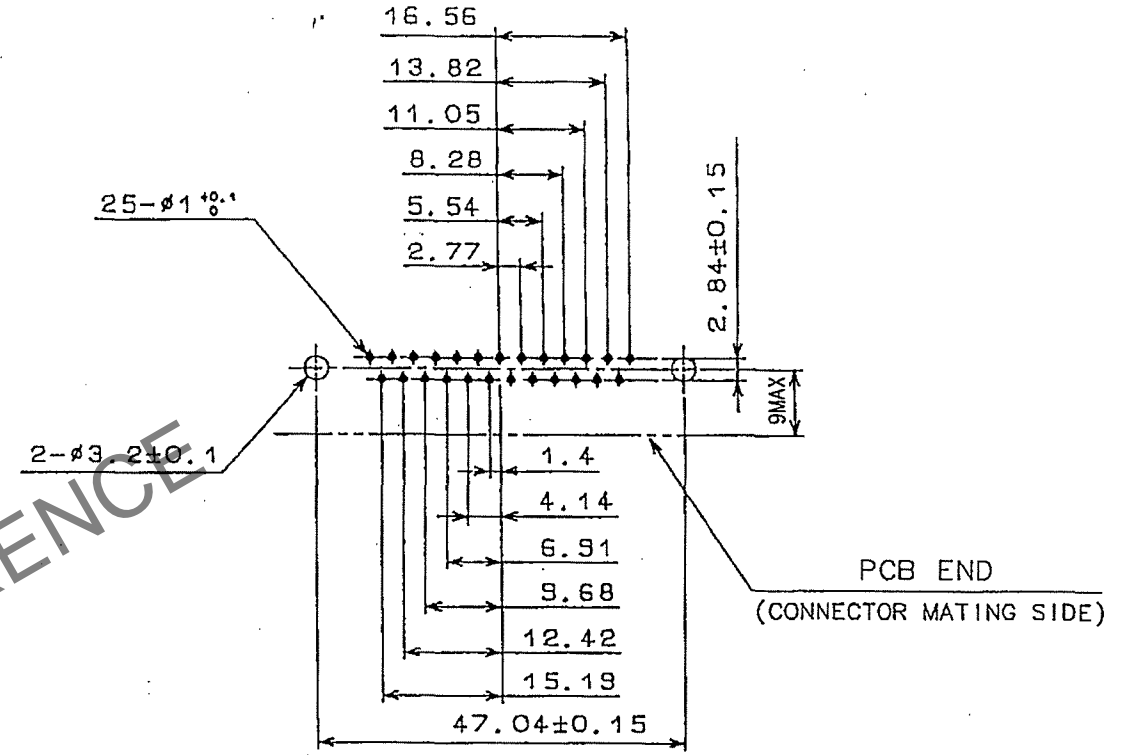
Apr.1.2025 Copyright 2025 HIROSE ELECTRIC CO., LTD. All Rights Reserved.  
In case of consideration for using Automotive equipment / device which demand high reliability, kindly contact our sales window correspondents.

COUNT	DESCRIPTION OF REVISIONS	BY	CHKD	DATE	COUNT	DESCRIPTION OF REVISIONS	BY	CHKD	DATE
5	DIS-E-001213	Y.S	Y.E	07.02.22					



REMOVE ONE WASHER FOR 0.8-1.2 OF PANEL THICKNESS. REMOVE TWO WASHERS FOR 1.6 OF PANEL THICKNESS.

PATTERN OF MOUNTING CONNECTOR ON PCB



NOTE. PLEASE KEEP THE TOLERANCE TO LESS THAN ±0.1 FOR THE DIMENSIONS WITHOUT TOLERANCE.

RECOMMENDED PC BOARD HOLE PATTERN (SCALE 1/1)

4	STEEL	NICKEL PLATING 1μm UNDER: COPPER PLATING 5μm	7	STEEL	NICKEL PLATING 2μm UNDER: COPPER PLATING 1μm
3	PBT	UL94V-0 (BLACK)	6	STEEL	NICKEL PLATING 2μm UNDER: COPPER PLATING 3μm
1.2	PHOSPHOR BRONZE	CONTACT: GOLD PLATING 0.2μm DIP: GOLD PLATING 0.03μm UNDER: NICKEL PLATING 2μm	5	STEEL	NICKEL PLATING 2μm UNDER: COPPER PLATING 1μm
NO.	MATERIAL	FINISH, REMARKS	NO.	MATERIAL	FINISH, REMARKS

CODE NO. (OLD) CL	DRAWN T. KAMEYA	DESIGNED T. KAMEYA	CHECKED Y. ENAMI	APPROVED H. MIWA	RELEASED
	03.08.07	03.08.07	03.08.08	03.08.09	

SCALE 2 : 1	DRAWING NO. EDC3-021170-02	PART NO. RDBD-25P-LNA(4-40)(55)
UNITS mm	<b>HRS</b> HIROSE ELECTRIC CO., LTD	CODE NO. CL211-0372-5-55

TO
Q