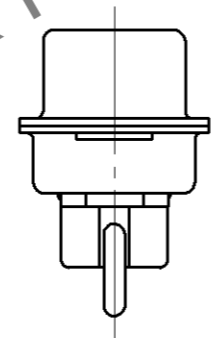
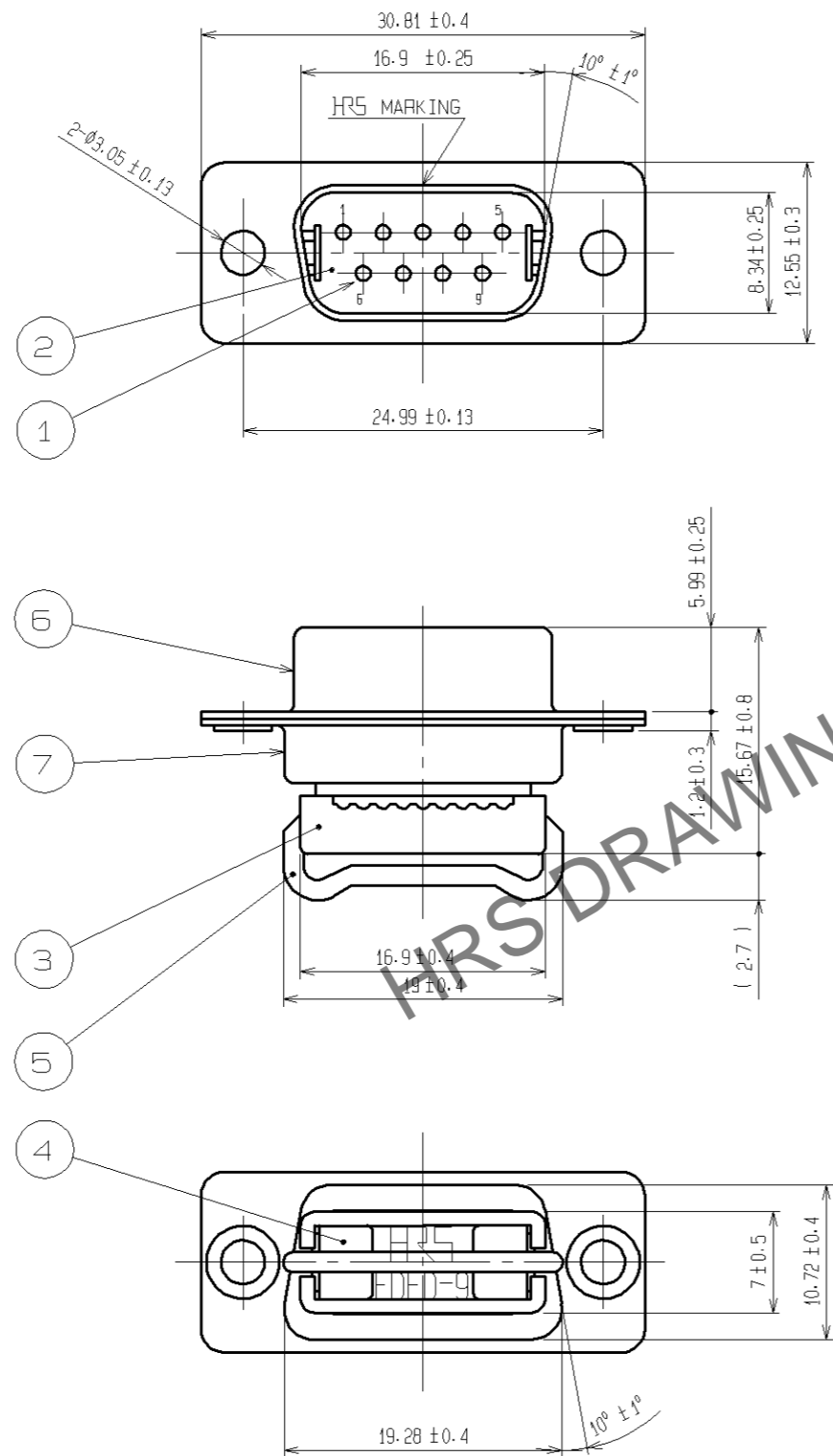


Mar.1.2026 Copyright 2026 HIROSE ELECTRIC CO., LTD. All Rights Reserved.
 In case of consideration for using Automotive equipment / device which demand high reliability, kindly contact our sales window correspondents.



NOTES 1. REF No. ③, ④ AND ⑤ AND APPENDED PRODUCTS.
 2 CONTACT AREA: GOLD PLATING 0.2μm MIN
 TERMINAL AREA: GOLD PLATING 0.03μm MIN
 UNDERPLATING: NICKEL PLATING 1μm MIN

4	STAINLESS STEEL	NICKEL PLATING 2μm			
3	PBT	UL94V-0 BLACK	7	STEEL	NICKEL PLATING 2μm
2	PBT	UL94V-0 BLACK	6	STEEL	NICKEL PLATING 2μm
1	BERYLLIUM COPPER	2	5	STEEL	NICKEL PLATING 2μm
NO.	MATERIAL	FINISH. REMARKS	NO.	MATERIAL	FINISH. REMARKS

UNITS mm		SCALE 2 : 1	COUNT △	DESCRIPTION OF REVISIONS	DESIGNED	CHECKED	DATE
HIROSE ELECTRIC CO., LTD.				APPROVED : HO.MIWA 06.07.27 CHECKED : HO.MIWA 06.07.27 DESIGNED : YH.ENAMI 06.07.27 DRAWN : YH.ENAMI 06.07.27	DRAWING NO. EDC3-021322-02 PART NO. FDED-9P(55) CODE NO. CL211-0444-4-55		