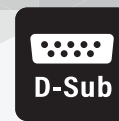


# CTF Series

# CTF Plug Case and Locking Device



D-Sub

D-Sub



Screw Lock



Wide Variation



Nov. 1.2024 Copyright 2024 HIROSE ELECTRIC CO., LTD. All Rights Reserved.



## Overview

The CTF plug case is available in 9, 15, 25, and 37-position variations, compatible with both solder (HD) and crimp (CD) types. This connector offers versatility, lightweight construction, robustness, and ease of operation.

## Features

---

1. The screw lock type ensures a strong and secure connection.
2. Accommodates both solder and crimp types with ease.

## Materials / Finish

| Parts          | Material                              | Color/Finish          | Remarks | RoHS2 |
|----------------|---------------------------------------|-----------------------|---------|-------|
| Plug Case      | ABS Resin                             | 25PB6/Colors          | -       | ○     |
| Spring Lock    | Body : Stainless Steel, Screw : Steel | Scew : Nickel Plating |         |       |
| Screw Lock     | Steel                                 | Nickel Plating        |         |       |
| Locking Device | Steel or Zinc Die Cast                |                       |         |       |
| Dust Cap       | Vinyl Chloride                        | Pale Blue             | UL94V-2 |       |
|                | Polyethylene Resin                    | Natural               | -       |       |

## Product Number Structure

Refer to the chart below when determining the product specifications from the product number.  
Please select from the product numbers listed in this catalog when placing orders.

### ● Plug Case

**HD B - CT F 1 (4-40)**

① ② ③ ④ ⑤ ⑧

### ● Locking Device

**HD - LN A (4-40)**

① ⑥ ⑦ ⑧

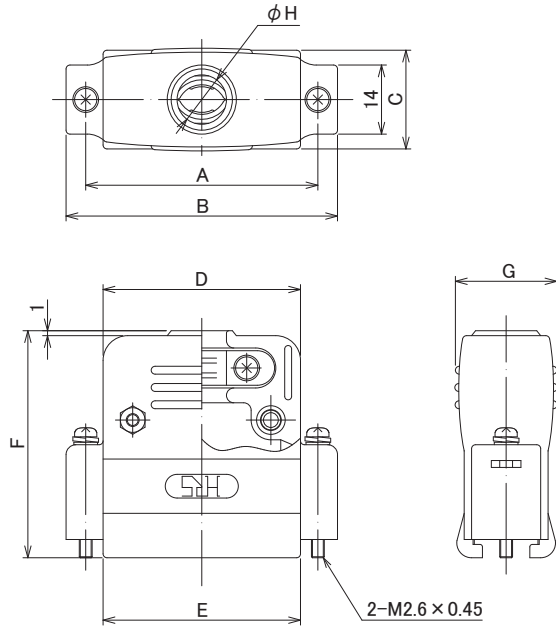
|                          |  |                                  |   |
|--------------------------|--|----------------------------------|---|
| ① Series Name            | HD   | ⑤ Locking Screws                 | None: Locked with a screwdriver<br>1 : Locked by hand |
| ② Connector Size         | E : 9pos, A : 15pos, B : 25pos, C : 37pos<br>Note : Plug case for 50pos. is not available. | ⑥ Locking Device                 | LN : Locking device or screw type                     |
| ③ Plug Case Type         | CT : Plug case with a straight cable inlet opening   | ⑦ Serial Sign for Locking Device | None : Rectangular<br>A : Hexagonal                   |
| ④ Serial Sign for Series |  | ⑧ Type of Screw                  | None : M2.6<br>(4-40) : Inch                          |

## CTF Plug Case

### ● Screw Lock Type with a Screwdriver



HDB-CTF(50)



The figure is for 25pos. (HDB-CTF(50))

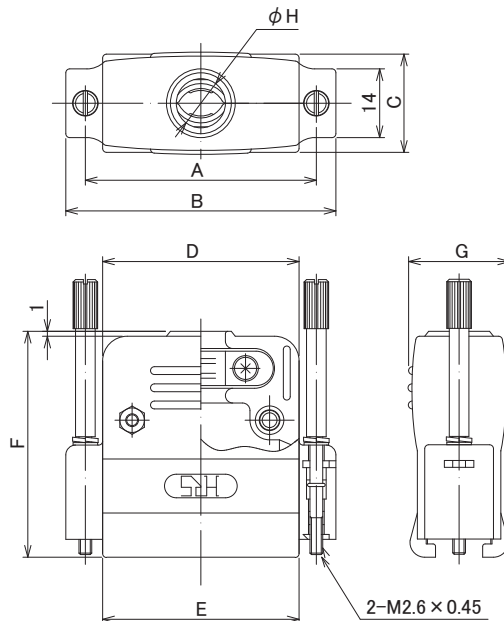
Unit : mm

| Part No.    | HRS No.          | No. of Pos | A     | B    | C    | D    | E    | F    | G    | H    | Purchase Unit |
|-------------|------------------|------------|-------|------|------|------|------|------|------|------|---------------|
| HDE-CTF(50) | CL0211-0159-8-50 | 9          | 24.99 | 33.2 | 18.0 | 19.2 | 19.2 | 40.2 | 19.6 | 7.0  | 20pcs per bag |
| HDA-CTF(50) | CL0211-0160-7-50 | 15         | 33.32 | 41.2 |      | 27.2 | 27.2 | 43.2 |      | 9.0  |               |
| HDB-CTF(50) | CL0211-0139-0-50 | 25         | 47.04 | 55.0 | 20.0 | 40.0 | 40.0 | 46.0 | 20.8 | 10.0 | 10pcs per bag |
| HDC-CTF(50) | CL0211-0161-0-50 | 37         | 63.5  | 72.2 |      | 50.2 | 57.0 | 51.2 |      | 24.0 |               |

### ● Screw Lock by Hands



HDB-CTF1(50)



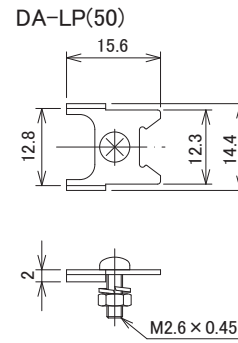
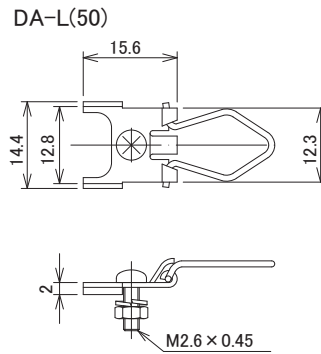
The figure is for 25pos. ((HDB-CTF1(50))

Unit : mm

| Part No.     | HRS No.          | No. of Pos | A     | B    | C    | D    | E    | F    | G    | H    | Purchase Unit |
|--------------|------------------|------------|-------|------|------|------|------|------|------|------|---------------|
| HDE-CTF1(50) | CL0211-0168-9-50 | 9          | 24.99 | 33.2 | 18.0 | 19.2 | 19.2 | 40.2 | 19.6 | 7.0  | 20pcs per bag |
| HDA-CTF1(50) | CL0211-0350-2-50 | 15         | 33.32 | 41.2 |      | 27.2 | 27.2 | 43.2 |      | 9.0  |               |
| HDB-CTF1(50) | CL0211-0166-3-50 | 25         | 47.04 | 55.0 | 20.0 | 40.0 | 40.0 | 46.0 | 20.8 | 10.0 | 10pcs per bag |
| HDC-CTF1(50) | CL0211-0328-3-50 | 37         | 63.5  | 72.2 |      | 50.2 | 57.0 | 51.2 |      | 24.0 |               |

## SM Series (D-sub) Accessory

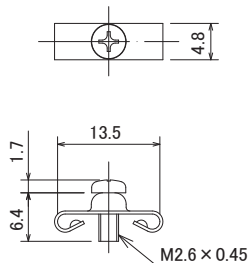
### ● Spring Lock



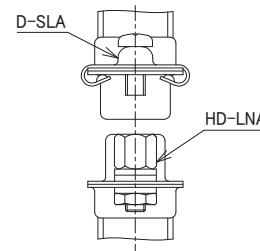
| Part No.  | HRS No.          | Purchase Unit  |
|-----------|------------------|----------------|
| DA-L(60)  | CL0211-0122-8-60 | 100pcs per bag |
| DA-LP(52) | CL0211-0123-0-52 |                |

NOTE : It cannot be used with plug cases (CTF and CTH).

### ● Screw Lock (HD-LNA)



#### Attachment Dimensions

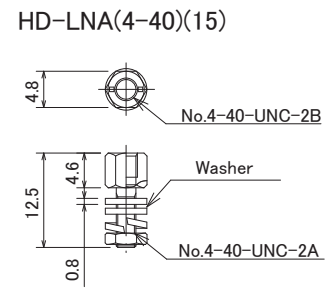
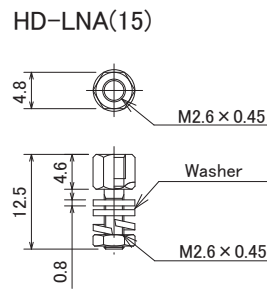
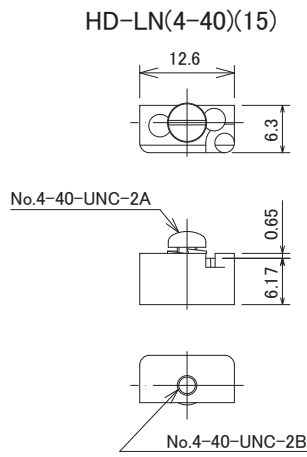
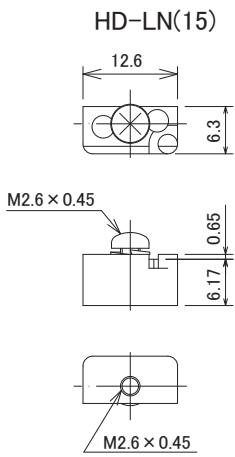


| Part No.  | HRS No.          | Purchase Unit |
|-----------|------------------|---------------|
| D-SLA(50) | CL0211-0307-3-50 | 2pcs per bag  |

Note 1 : Applicable for 9 to 37pos.

Note 2 : Cannot be assembled with HD#-C

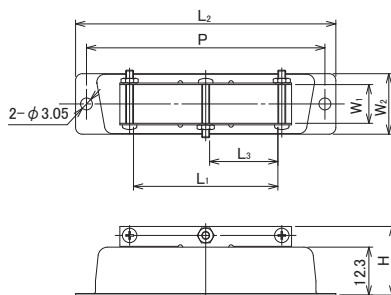
● Locking Device



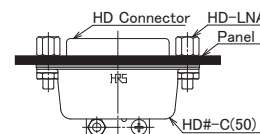
| Part No.                | HRS No.          | Applicable Panel Thickness | No. of Washer | Purchase Unit  |
|-------------------------|------------------|----------------------------|---------------|----------------|
| HD-LN(15)               | CL0211-0140-0-15 | Under 1.2                  | -             | 100pcs per bag |
| HD-LN(4-40)(15)         | CL0211-0171-3-15 |                            |               |                |
| HD-LNA(15) (Note)       | CL0211-0172-6-15 | 1.6-2.0                    | 0             | 100pcs per bag |
| HD-LNA(4-40)(15) (Note) | CL0211-0196-4-15 | 0.8-1.2                    | 1             |                |
|                         |                  | 0-0.4                      | 2             |                |

Note : Adjust the number of the two washers according to the panel thickness to which they fit.

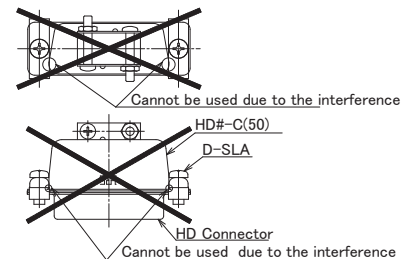
## ● Clamp



\*1 Can be Combined (Panel Side)



\*2 Cannot be Combined (Plug Side)

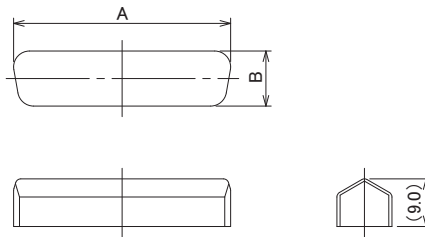
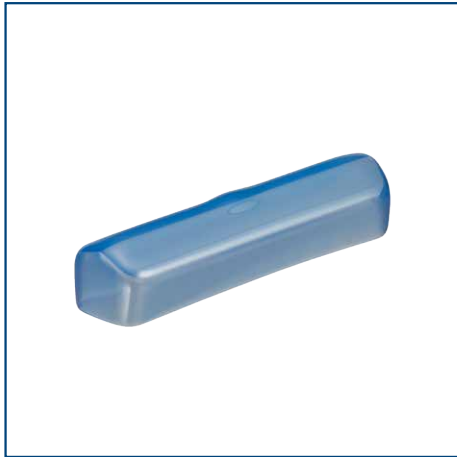


| Part No.  | HRS No.          | No. of Pos | L <sub>1</sub> | L <sub>2</sub> | L <sub>3</sub> | P     | W <sub>1</sub> | W <sub>2</sub> | H (Reference) | Purchase Unit |
|-----------|------------------|------------|----------------|----------------|----------------|-------|----------------|----------------|---------------|---------------|
| HDE-C(50) | CL0211-0018-6-50 | 9          | 7.3            | 30.56          | -              | 24.99 | 7.5            | 12.7           | 16.3          | 20pcs per bag |
| HDA-C(50) | CL0211-0005-4-50 | 15         | 8.0            | 38.9           | -              | 33.32 |                |                |               |               |
| HDB-C(50) | CL0211-0011-7-50 | 25         | 20.2           | 52.8           | -              | 47.04 |                |                |               |               |
| HDC-C(50) | CL0211-0059-3-50 | 37         | 37.0           | 69.1           | 17.5           | 63.5  |                |                |               |               |
| HDD-C(50) | CL0211-0006-7-50 | 50         |                | 66.7           |                | 61.11 | 9.9            | 15.5           | 17.6          |               |

Note 1 : This product can only be used on the panel side. \*1

Note 2 : Cannot be used as a cover case on the plug side because it cannot be fixed with D-SLA and HD-LNA. \*2

## ●Dust Cap



### For Male Connector

| Part No.       | HRS No.          | No. of Pos | A    | B    | Purchase Unit  |
|----------------|------------------|------------|------|------|----------------|
| DE-9P-DC1(16)  | CL0211-0777-7-16 | 9          | 18.7 | 10.2 | 100pcs per bag |
| DA-15P-DC1(16) | CL0211-0778-0-16 | 15         | 27.0 |      |                |
| DB-25P-DC1(16) | CL0211-0779-2-16 | 25         | 41.0 | 10.4 |                |
| DC-37P-DC1(16) | CL0211-0780-1-16 | 37         | 57.7 | 10.6 |                |
| DD-50P-DC1(16) | CL0211-0781-4-16 | 50         | 55.0 | 13.3 |                |

Note : Dust cap for male connector cannot be used for the connector with locking device (LN).

### For Female Connector

| Part No.       | HRS No.          | No. of Pos | A    | B    | Purchase Unit  |
|----------------|------------------|------------|------|------|----------------|
| DE-9S-DC1(16)  | CL0211-0782-7-16 | 9          | 17.4 | 8.8  | 100pcs per bag |
| DA-15S-DC1(16) | CL0211-0783-0-16 | 15         | 25.6 |      |                |
| DB-25S-DC1(16) | CL0211-0784-2-16 | 25         | 39.3 |      |                |
| DC-37S-DC1(16) | CL0211-0785-5-16 | 37         | 55.8 | 11.6 |                |
| DD-50S-DC1(16) | CL0211-0786-8-16 | 50         | 53.4 |      |                |

## While Taking into Consideration

Specifications mentioned in this catalog are reference values.

When considering to order or use this product, please review the Drawing and Product Specifications sheets.

Use an appropriate cable when using the connector in combination with cables.

If considering usage of a non-specified cable, please contact your sales representative.

If assembly process is done by jigs & tools which are not identified by Hirose, the warranty of the product may be affected.

If considering usage for below mentioned applications, please contact your sales representative.

In cases where the application will demand a high level of reliability, such as automotive, medical instruments, public infrastructure, aerospace/defense etc. Hirose must review before assurance of reliability can be given.