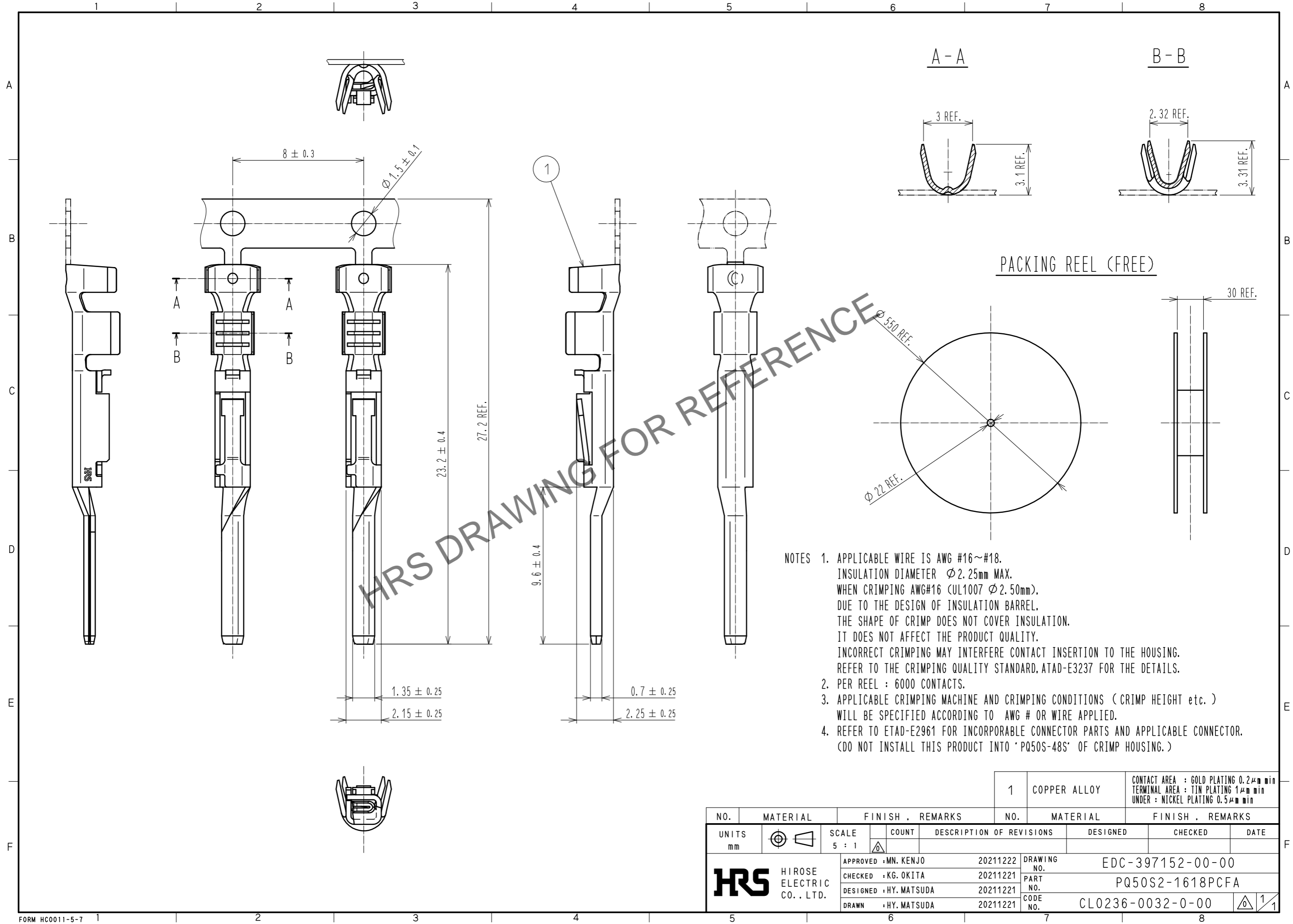


Oct.1.2024 Copyright 2024 HIROSE ELECTRIC CO., LTD. All Rights Reserved.
 In case of consideration for using Automotive equipment / device which demand high reliability, kindly contact our sales window correspondents.



- NOTES
1. APPLICABLE WIRE IS AWG #16~#18.
 INSULATION DIAMETER $\phi 2.25\text{mm}$ MAX.
 WHEN CRIMPING AWG#16 (UL1007 $\phi 2.50\text{mm}$),
 DUE TO THE DESIGN OF INSULATION BARREL,
 THE SHAPE OF CRIMP DOES NOT COVER INSULATION.
 IT DOES NOT AFFECT THE PRODUCT QUALITY.
 INCORRECT CRIMPING MAY INTERFERE CONTACT INSERTION TO THE HOUSING.
 REFER TO THE CRIMPING QUALITY STANDARD, ATAD-E3237 FOR THE DETAILS.
 2. PER REEL : 6000 CONTACTS.
 3. APPLICABLE CRIMPING MACHINE AND CRIMPING CONDITIONS (CRIMP HEIGHT etc.)
 WILL BE SPECIFIED ACCORDING TO AWG # OR WIRE APPLIED.
 4. REFER TO ETAD-E2961 FOR INCORPORABLE CONNECTOR PARTS AND APPLICABLE CONNECTOR.
 (DO NOT INSTALL THIS PRODUCT INTO 'PQ50S-48S' OF CRIMP HOUSING.)

NO. 1		MATERIAL COPPER ALLOY		FINISH . REMARKS CONTACT AREA : GOLD PLATING 0.2 μm min TERMINAL AREA : TIN PLATING 1 μm min UNDER : NICKEL PLATING 0.5 μm min			
UNITS mm		SCALE 5 : 1	COUNT	DESCRIPTION OF REVISIONS	DESIGNED	CHECKED	DATE
HRS HIROSE ELECTRIC CO., LTD.		APPROVED : MN. KENJO	20211222	DRAWING NO.	EDC-397152-00-00		
		CHECKED : KG. OKITA	20211221	PART NO.	PQ50S2-1618PCFA		
		DESIGNED : HY. MATSUDA	20211221	CODE NO.	CL0236-0032-0-00		
		DRAWN : HY. MATSUDA	20211221				