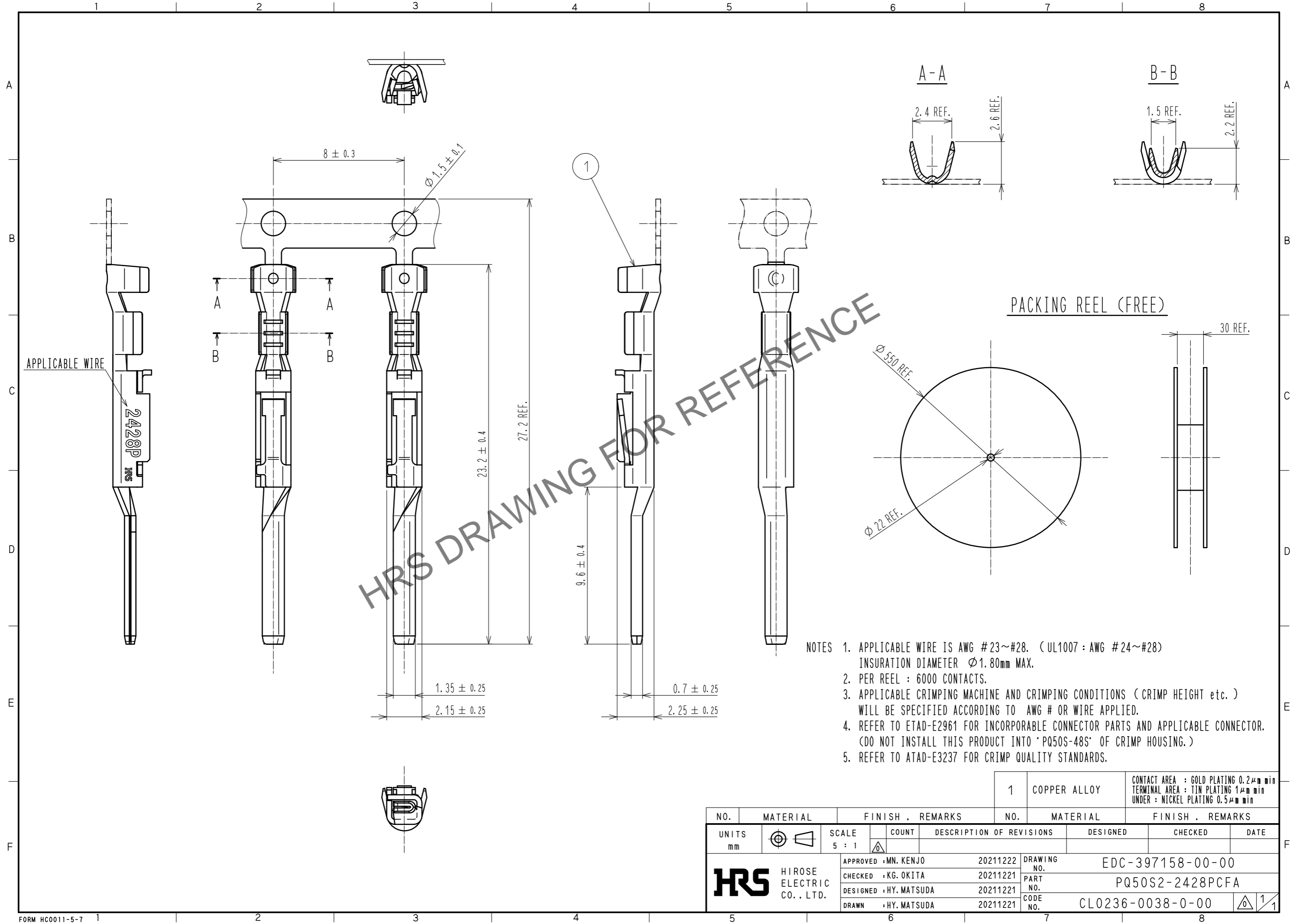


Oct.1.2024 Copyright 2024 HIROSE ELECTRIC CO., LTD. All Rights Reserved.
In case of consideration for using Automotive equipment / device which demand high reliability, kindly contact our sales window correspondents.



- NOTES
- APPLICABLE WIRE IS AWG #23~#28. (UL1007 : AWG #24~#28)
INSURATION DIAMETER $\phi 1.80$ MM MAX.
 - PER REEL : 6000 CONTACTS.
 - APPLICABLE CRIMPING MACHINE AND CRIMPING CONDITIONS (CRIMP HEIGHT etc.) WILL BE SPECIFIED ACCORDING TO AWG # OR WIRE APPLIED.
 - REFER TO ETAD-E2961 FOR INCORPORABLE CONNECTOR PARTS AND APPLICABLE CONNECTOR. (DO NOT INSTALL THIS PRODUCT INTO 'PQ50S-48S' OF CRIMP HOUSING.)
 - REFER TO ATAD-E3237 FOR CRIMP QUALITY STANDARDS.

NO. 1		MATERIAL COPPER ALLOY		FINISH . REMARKS CONTACT AREA : GOLD PLATING 0.2 μ m min TERMINAL AREA : TIN PLATING 1 μ m min UNDER : NICKEL PLATING 0.5 μ m min				
UNITS	mm	SCALE	5 : 1	COUNT	DESCRIPTION OF REVISIONS	DESIGNED	CHECKED	DATE
APPROVED : MN. KENJO		20211222		DRAWING NO.		EDC-397158-00-00		
CHECKED : KG. OKITA		20211221		PART NO.		PQ50S2-2428PCFA		
DESIGNED : HY. MATSUDA		20211221		CODE NO.		CL0236-0038-0-00		
DRAWN : HY. MATSUDA		20211221						