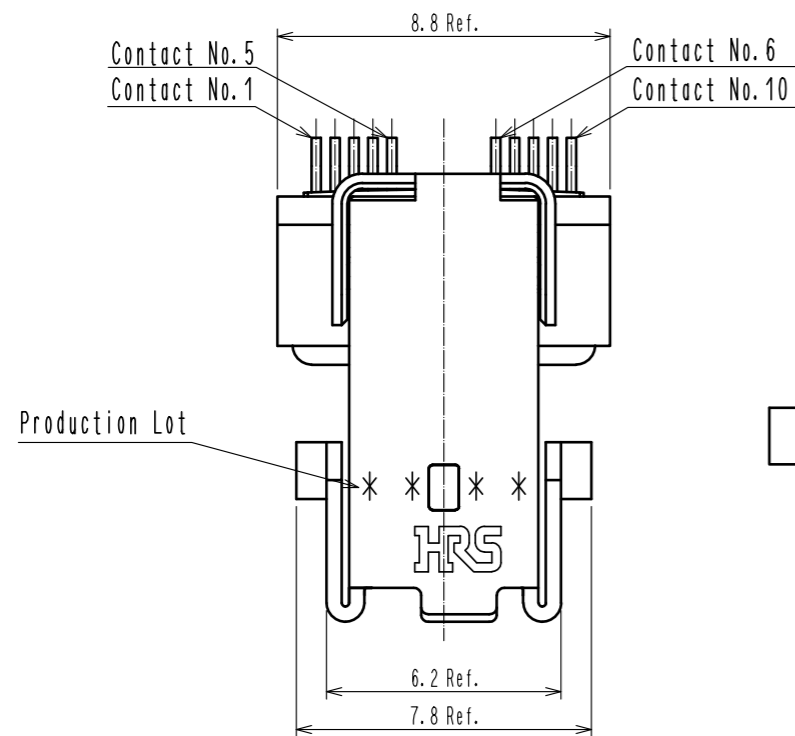
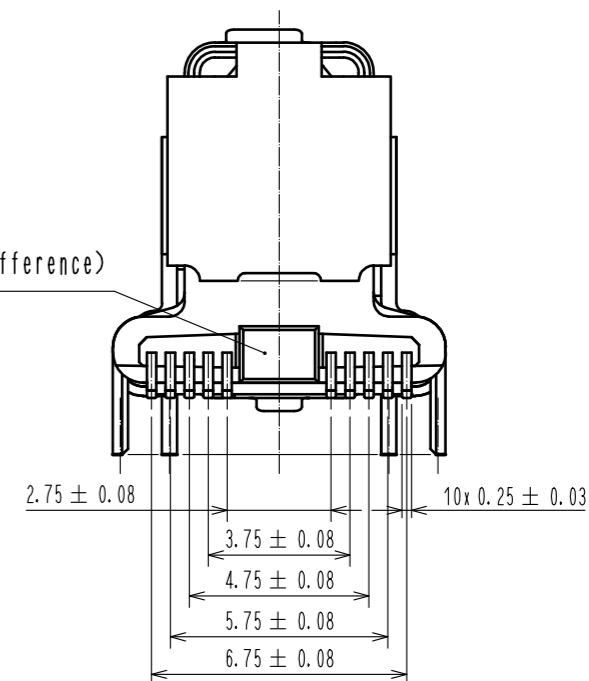
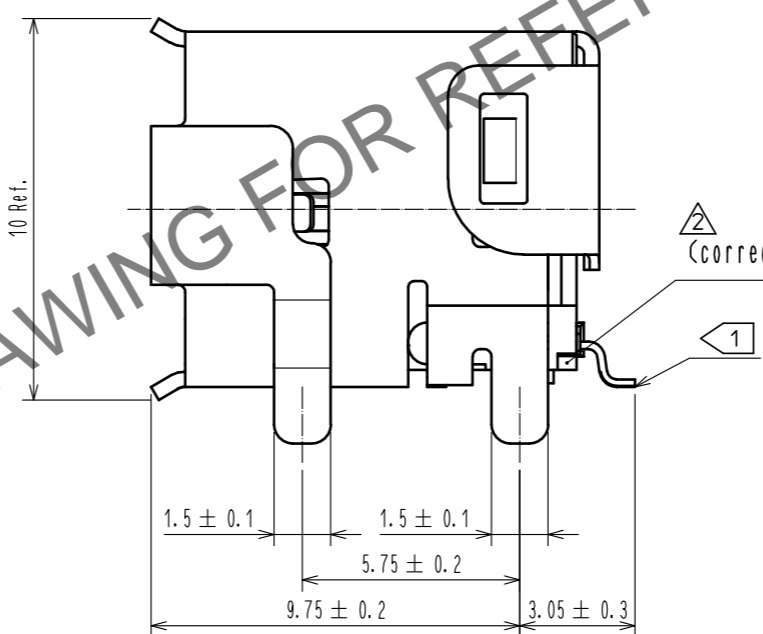
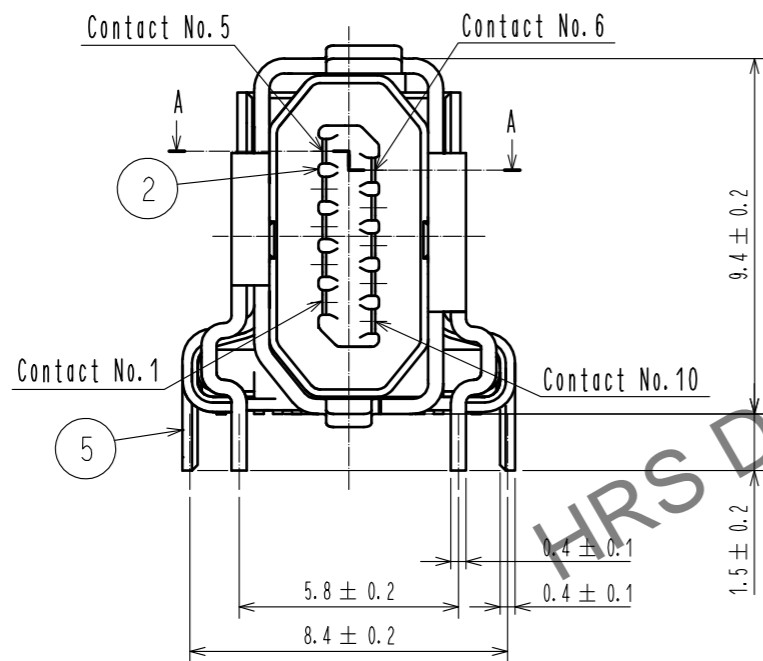
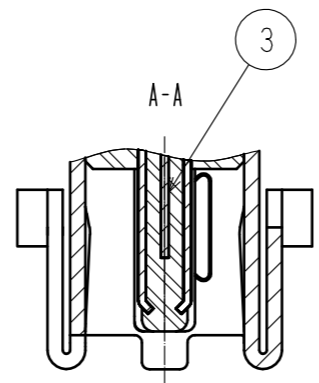


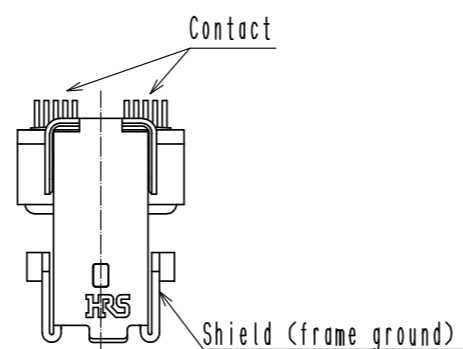
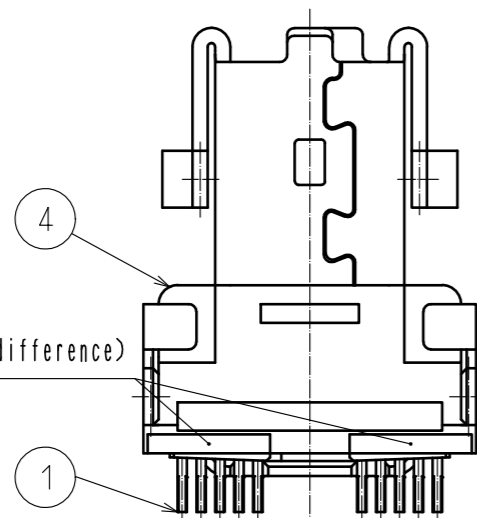
Jan.1.2025 Copyright 2025 HIROSE ELECTRIC CO., LTD. All Rights Reserved.
 In case of consideration for using Automotive equipment / device which demand high reliability, kindly contact our sales window correspondents.



- Notes. ① Co-planarity is within 0.1 mm.
2. For Part no.5, connector performances is independent from:
- surface with traces due to the production process.
 - allowed deviation in plating appearance between production lots.
- ③ Per reel : 400 pcs.
- ④ Refer to the mated condition diagram for the panel thickness and layout.
5. This product is mounted by reflow soldering.
 Refer to specification sheet ELC-388563-00-00 for reflow soldering.



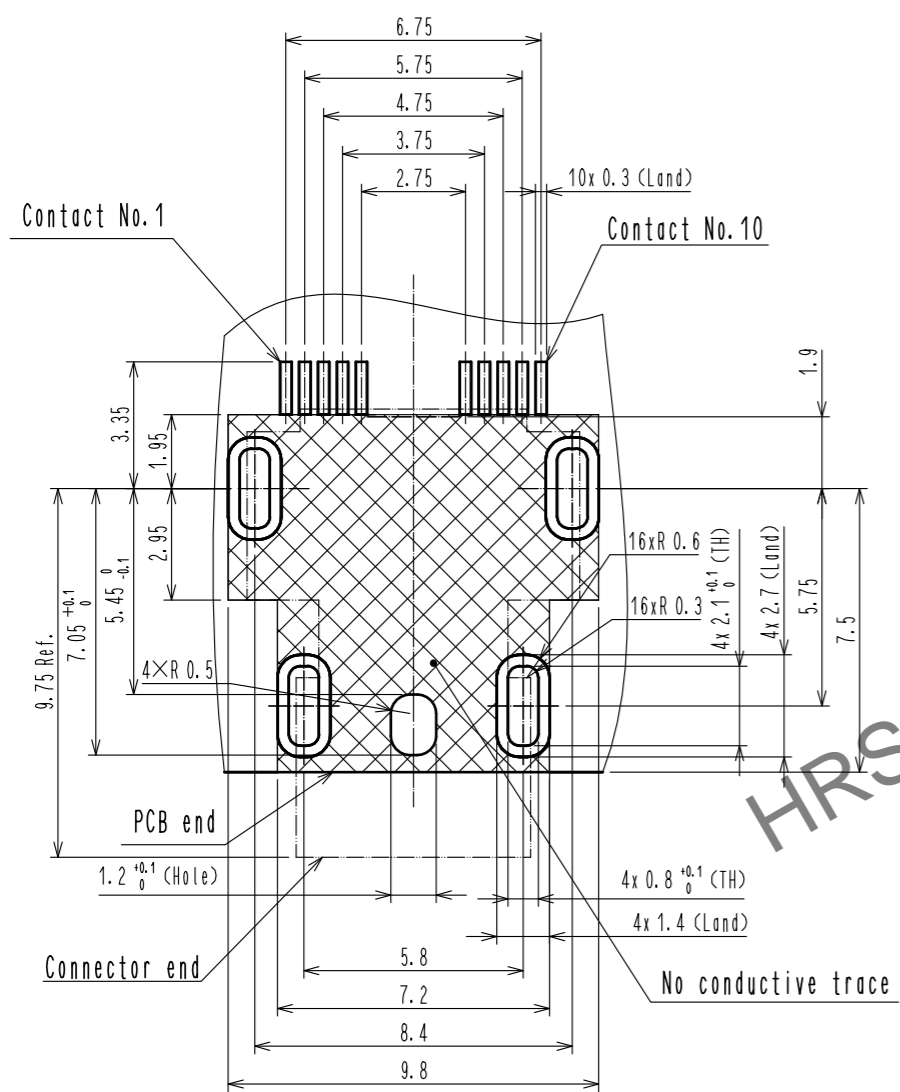
6. Isolate the contact from the shield (frame ground) when using the contact as OV or as signal ground.



3	Stainless Steel		7	PE			
2	LCP	Gray, UL94V-0	6	PS			
1	Copper Alloy	Contact area : Palladium-Nickel 0.75 μm min. +Gold 0.05 μm min. Wiring area : Gold 0.03 μm min. Under plating : Nickel 2 μm min.	5	Stainless Steel	Surface : Tin 1 μm min. Under plating : Nickel 0.2 μm min.		
			4	LCP	Gray, UL94V-0		
	MATERIAL	FINISH, REMARKS	NO.	MATERIAL	FINISH, REMARKS		
UNITS mm	⊙	SCALE 5 : 1	COUNT 2	DESCRIPTION OF REVISIONS DIS-E-00015867	DESIGNED TS. SAKAIZAWA	CHECKED KI. KAGOTANI	DATE 20240301
HRS HIROSE ELECTRIC CO., LTD.		APPROVED : MN. KENJO 20210105	DRAWING NO. EDC-388563-01-00				
		CHECKED : KI. NAGANUMA 20210105	PART NO. IX61G2-A-10P(C01)				
		DESIGNED : JY. IGA 20201225	CODE NO. CL0251-0087-0-01				
		DRAWN : MY. KOMUKAI 20201224					

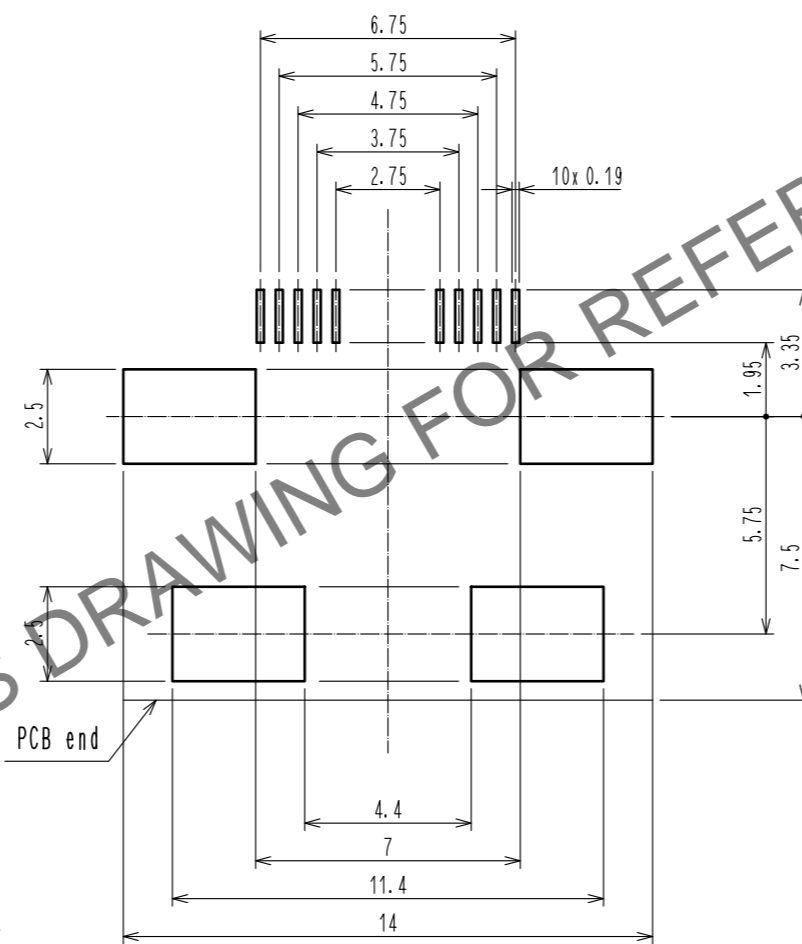
Jan.1.2025 Copyright 2025 HIROSE ELECTRIC CO., LTD. All Rights Reserved.
 In case of consideration for using Automotive equipment / device which demand high reliability, kindly contact our sales window correspondents.

Reference PCB Layout (Connector Mounting Side) (t = 1.6)



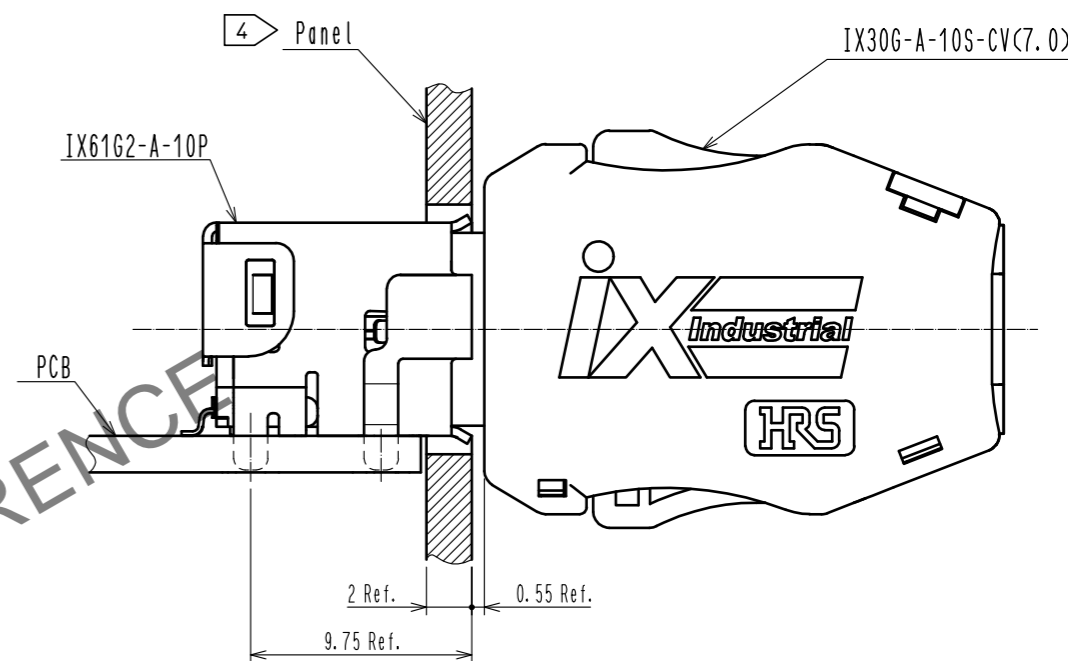
General tolerance is +/- 0.05

Reference Metal Mask Layout (t = 0.15)

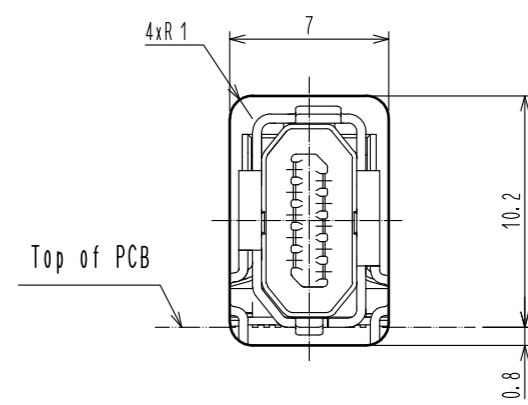


General tolerance is +/- 0.02

Mated Condition (Free)



Reference Dimensions of Panel Cutout (Free)

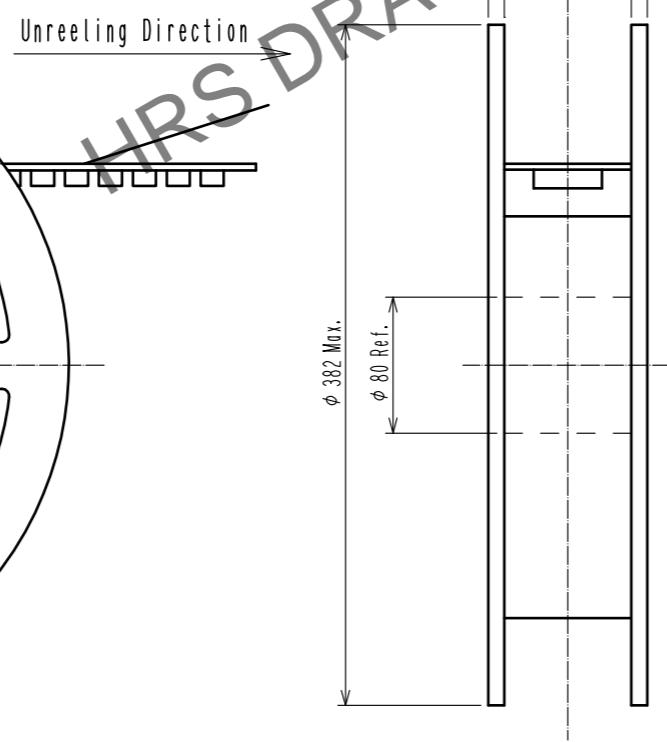
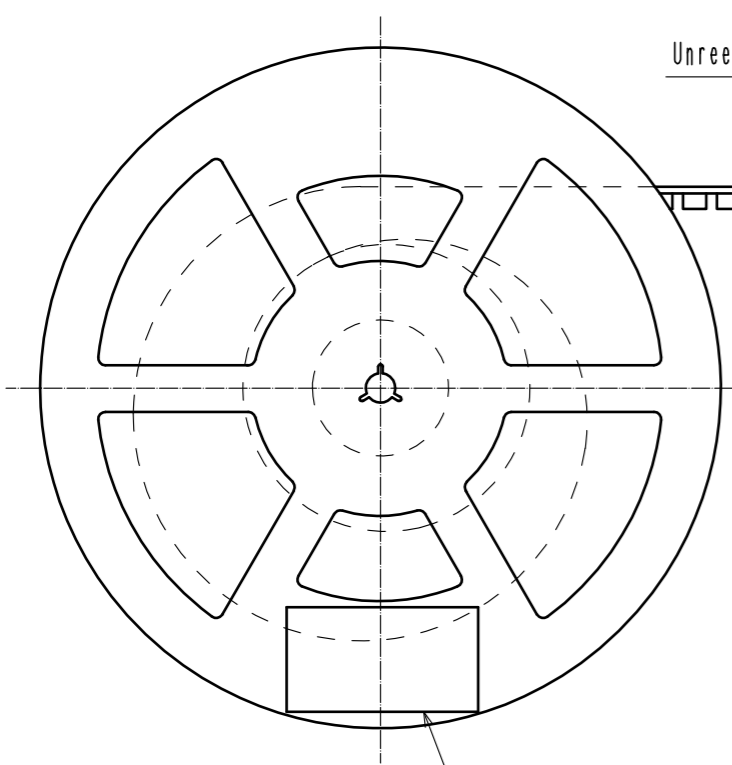
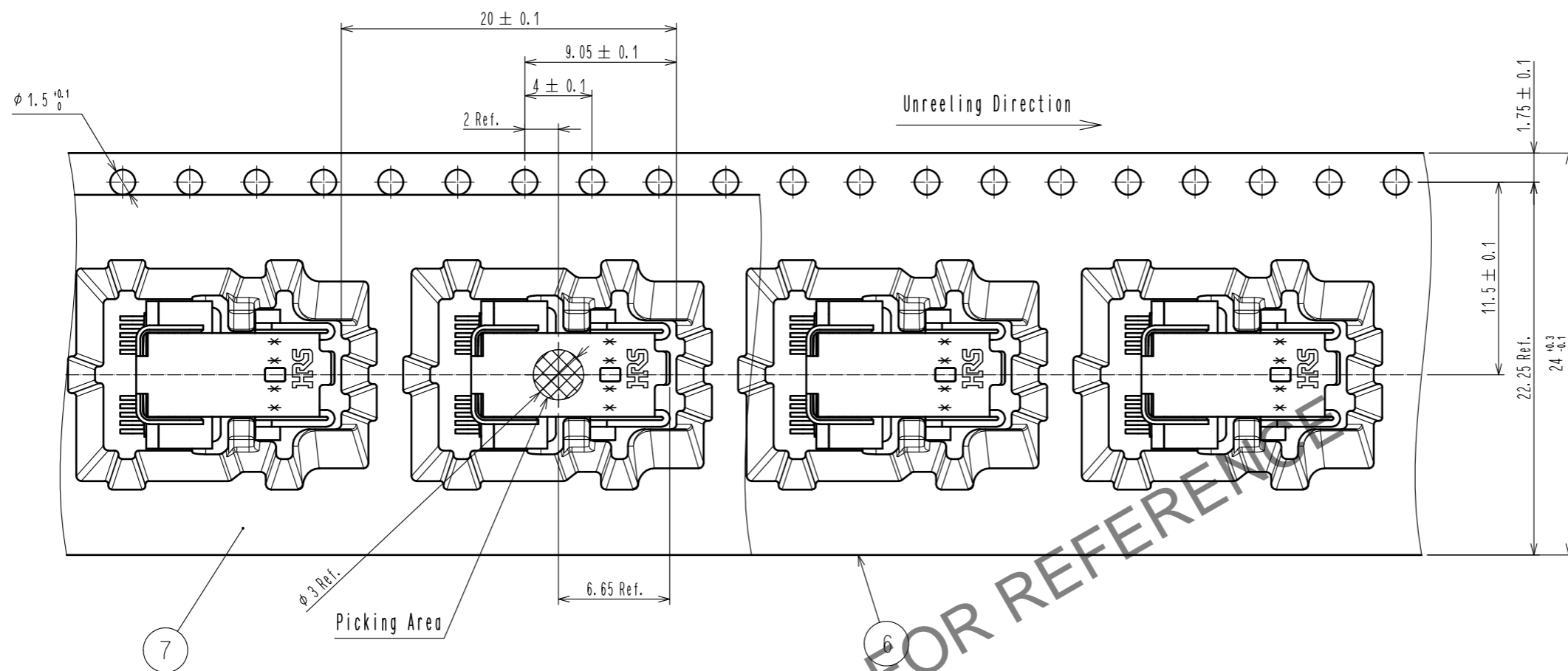


7 Thickness of metal mask is 0.1 mm min.
 Metal mask dimensions of the drawings described, are reference dimensions for 0.15 mm thickness metal mask.
 Change the metal mask dimensions by thickness of the metal mask, thickness of PCB, component of solder paste and mounting conditions.
 Change the metal mask dimensions in case of mounting IX61G2-*-10P in parallel.
 Change the metal mask dimensions, if there are other mounting parts or implementation pattern around the portion of mounting position of IX61G2-*-10P.
 Refer to the technical specification (ETAD-E3221-00) for different variations of the metal mask pattern width.

HRS	DRAWING NO.	EDC-388563-01-00
	PART NO.	IX61G2-A-10P(C01)
	CODE NO.	CL0251-0087-0-01
		2/3

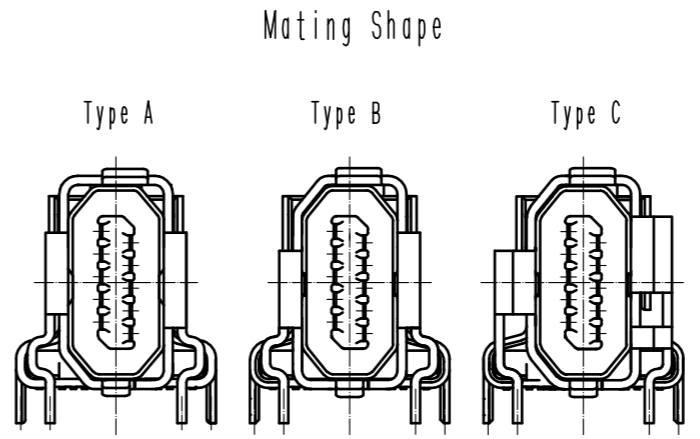
Jan.1.2025 Copyright 2025 HIROSE ELECTRIC CO., LTD. All Rights Reserved.
 In case of consideration for using Automotive equipment / device which demand high reliability, kindly contact our sales window correspondents.

③ Drawing for packing (Free)



Notes. 8. Type A (this product) and Type C is defined for 10/100 Mbit/s and 1/10 Gbit/s Ethernet communication. Please use Type B for all other non Ethernet applications like signaling, serial or other industrial bus communication systems.

Pin Assignment For 10/100 Mbit/s And 1/10 Gbit/s Ethernet



Contact No.	Signal	
	10/100 Mbit/s	1/10 Gbit/s
1	TX+	BI_DA+
2	TX-	BI_DA-
3	N.C	GND
4	N.C	BI_DC+
5	N.C	BI_DC-
6	RX+	BI_DB+
7	RX-	BI_DB-
8	N.C	GND
9	N.C	BI_DD+
10	N.C	BI_DD-

HRS	DRAWING NO.	EDC-388563-01-00
	PART NO.	IX61G2-A-10P(C01)
	CODE NO.	CL0251-0087-0-01
		②/③