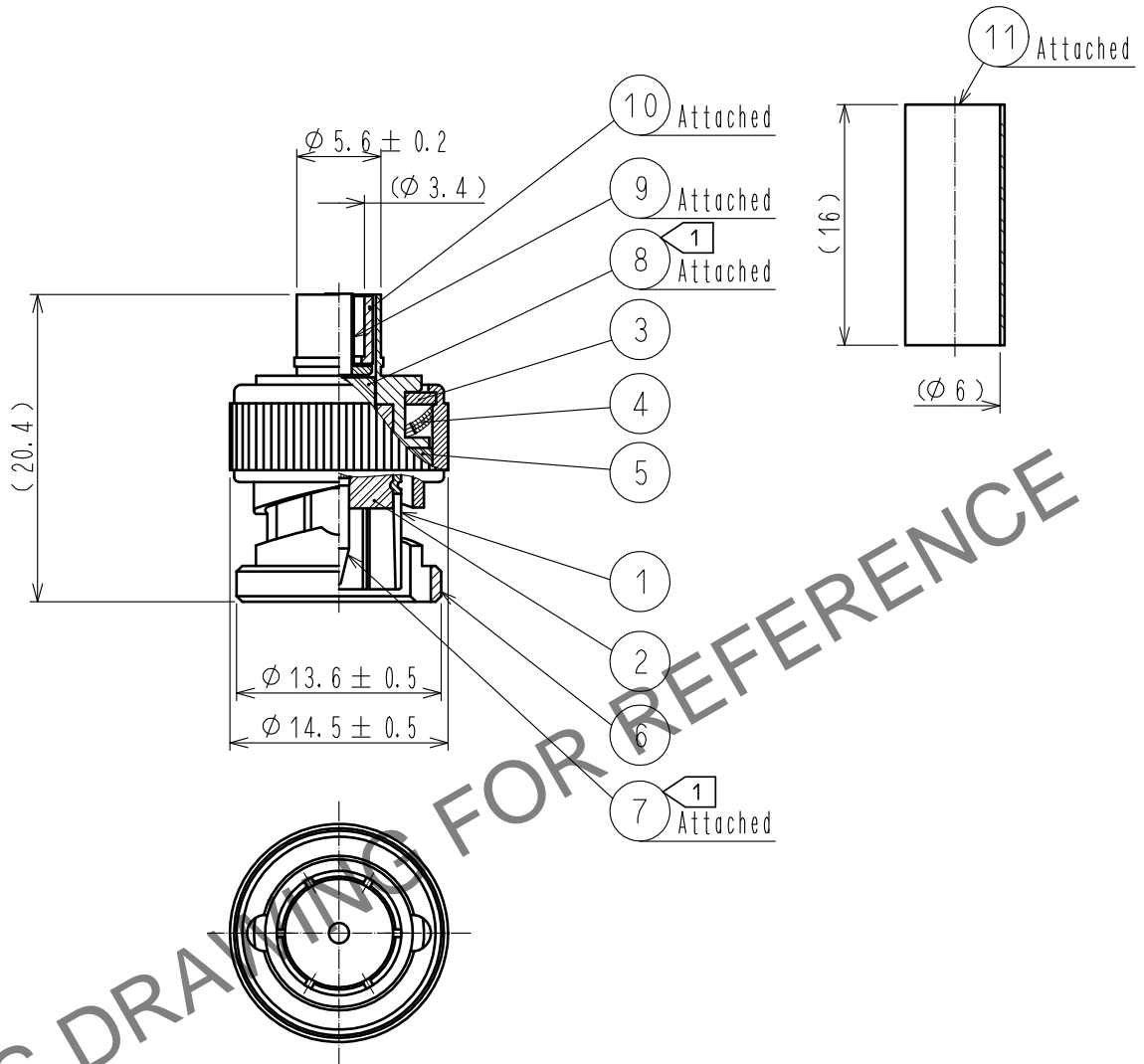


May.1.2026 Copyright 2026 HIROSE ELECTRIC CO., LTD. All Rights Reserved.  
 In case of consideration for using Automotive equipment / device which demand high reliability, kindly contact our sales window correspondents.

【 Assemble tool 】 For outer conductor crimping : HT303/HRM-T-4(58A/U hole)



Note 1 Part 7 and 8 will be attached in a sub assembled state.

6	BRASS	NICKEL PLATING		11	POLYOLEFIN	HEAT SHRINK TUBING(BLACK)		
5	SILICONE RUBBER			10	BRASS	NICKEL PLATING		
4	BERYLLIUM COPPER	SILVER PLATING		9	BRASS	NICKEL PLATING		
3	BRASS	NICKEL PLATING		8	PTFE			
2	PTFE			7	BRASS	GOLD PLATING		
1	BRASS	NICKEL PLATING						
NO.	MATERIAL	FINISH .	REMARKS	NO.	MATERIAL	FINISH .	REMARKS	
UNITS mm		SCALE 2 : 1	COUNT 	DESCRIPTION OF REVISIONS		DESIGNED	CHECKED	DATE
HIROSE ELECTRIC CO., LTD.		APPROVED	·KY. SHIMIZU	20191121	DRAWING NO.	EDC-305440-00-00		
		CHECKED	·KY. SHIMIZU	20191121	PART NO.	BNC(75)-P-1.5CV		
		DESIGNED	·RO. YOKOYAMA	20191121	CODE NO.	CL302-0404-7-00		1/1
		DRAWN	·ST. KISHI	20191121				