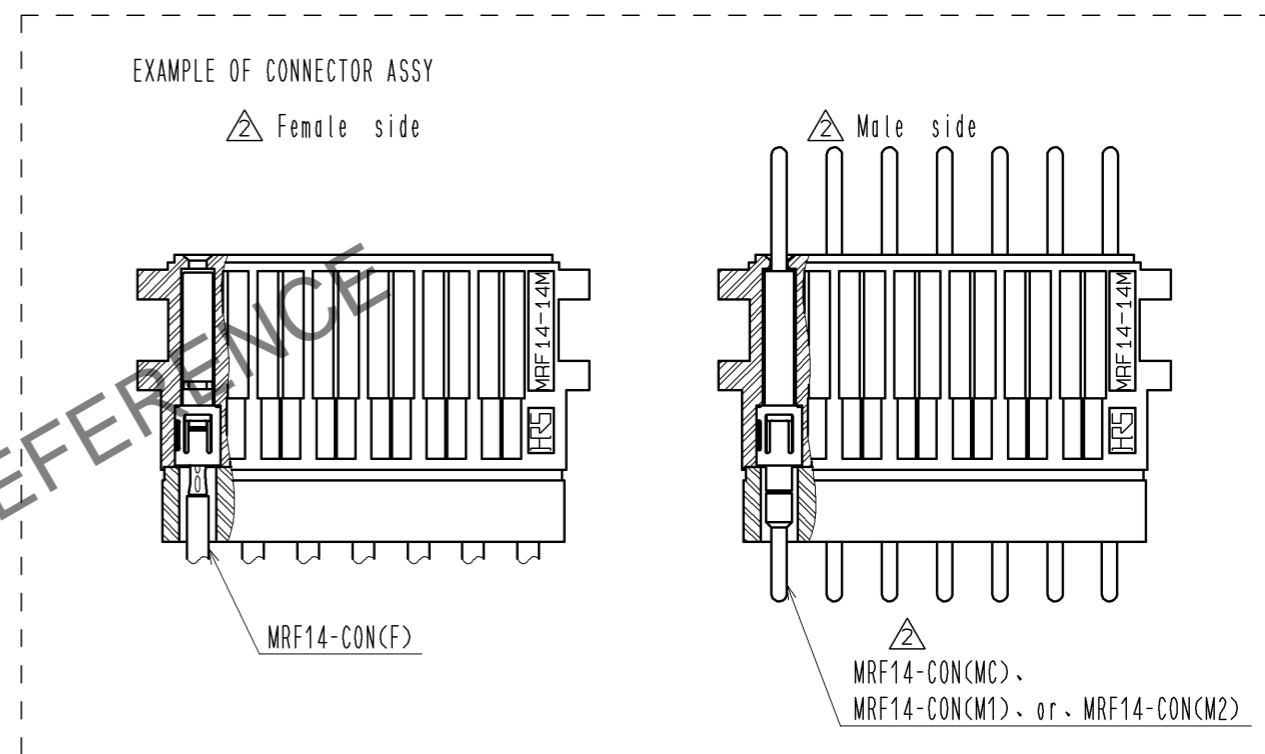
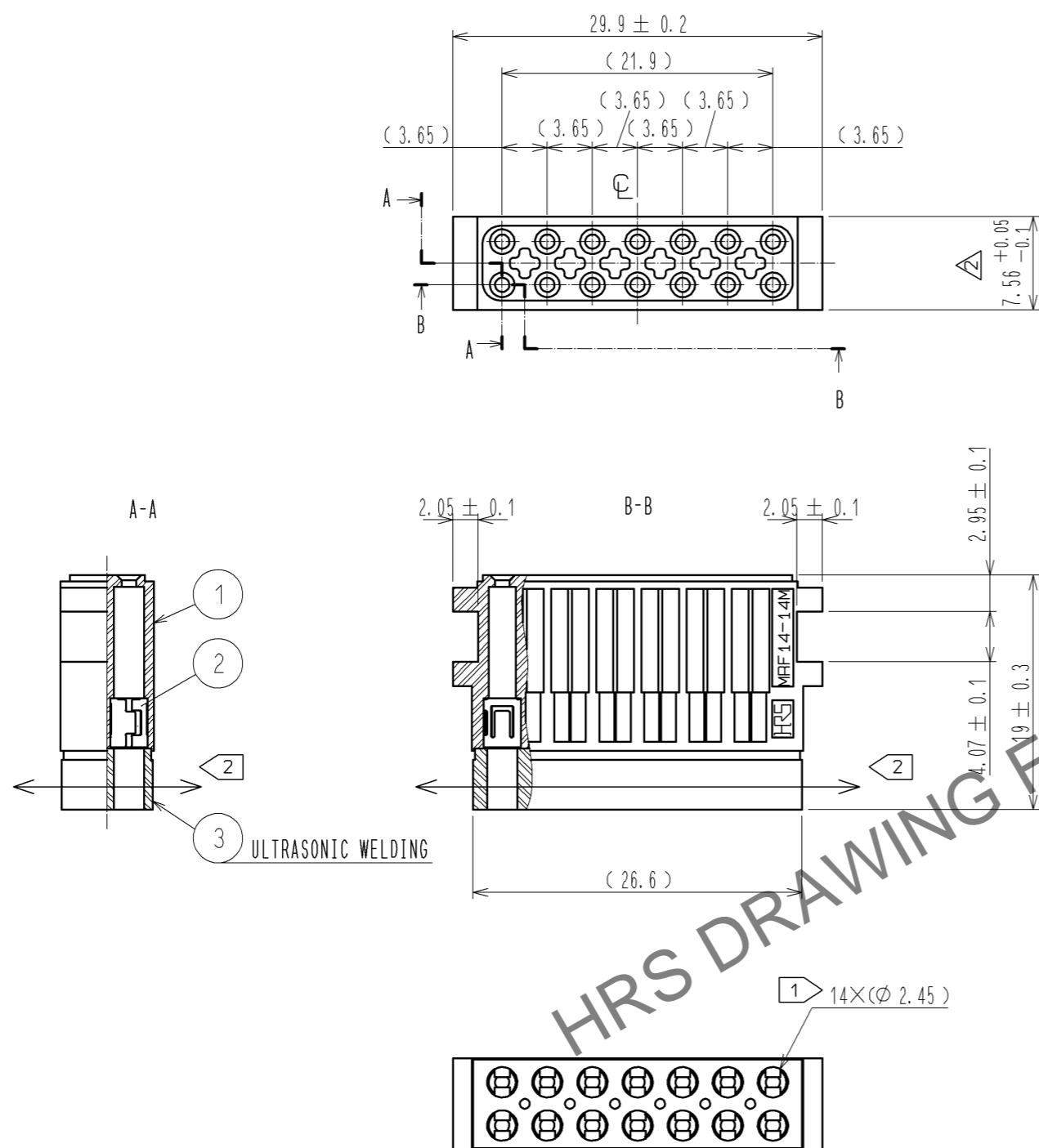


Nov.1.2024 Copyright 2024 HIROSE ELECTRIC CO., LTD. All Rights Reserved.
In case of consideration for using Automotive equipment / device which demand high reliability, kindly contact our sales window correspondents.



Notes 1 Assemble coaxial connectors MRF14-CON(F)(CL313-0709-8), MRF14-CON(MC)(CL313-0716-3), MRF14-CON(M1)(CL313-0710-7) or MRF14-CON(M2)(CL313-0711-0) into holes ($14 \times \phi 2.45$).

2 Don't make an impact in this direction, due to ultrasonic welding.

RoHS COMPLIANT

NON MAGNETIC

2	BERYLLIUM COPPER	NICKEL PLATING			
1	PBT	UL94V-0(WHITE)	3	PBT	UL94V-0(WHITE)
NO.	MATERIAL	FINISH . REMARKS	NO.	MATERIAL	FINISH . REMARKS
UNITS		SCALE	COUNT	DESCRIPTION OF REVISIONS	
mm		2 : 1	4	DIS-D-003435	
APPROVED : MH. YAMANE			12.09.05	DESIGNED	HA. NISHIMURA
CHECKED : MH. TSUCHIDA			12.09.04	CHECKED	MH. TSUCHIDA
DESIGNED : TS. KANEKO			12.09.04	DATE	14.10.16
DRAWN : YY. KOBAYASHI			12.09.04	DRAWING NO. EDC3-333791-00	
PART NO. MRF14-CON(M)-14M				CODE NO. CL313-0706-0-00	
HRS HIROSE ELECTRIC CO., LTD.				1/1	