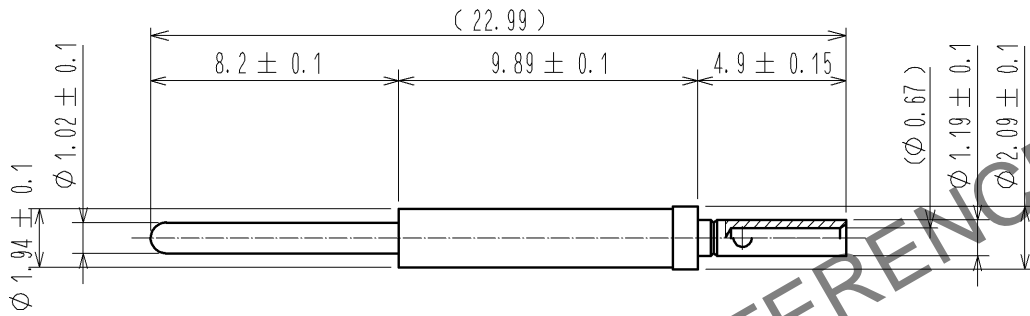


Sep.1.2024 Copyright 2024 HIROSE ELECTRIC CO., LTD. All Rights Reserved.
 In case of consideration for using Automotive equipment / device which demand high reliability, kindly contact our sales window correspondents.

CABLE ASSEMBLY TOOL
 FOR CRIMPING : MH-860/ DMC CO., LTD.
 POSITIONER : 86-299/ DMC CO., LTD.



HRS DRAWING FOR REFERENCE

RoHS COMPLIANT

NON MAGNETIC

1	BERYLLIUM COPPER	GOLD PLATING	
NO.	MATERIAL	FINISH . REMARKS	NO. MATERIAL FINISH . REMARKS
UNITS mm		SCALE 4 : 1	COUNT
DESCRIPTION OF REVISIONS		DESIGNED	CHECKED
DATE			
HRS	HIROSE ELECTRIC CO., LTD.	APPROVED : MH. YAMANE	12. 09. 05
		CHECKED : MH. TSUCHIDA	12. 09. 05
		DESIGNED : TS. KANEKO	12. 09. 05
		DRAWN : YY. KOBAYASHI	12. 09. 05
		DRAWING NO.	EDC4-347405-00
		PART NO.	MRF14-CON(MC)
		CODE NO.	CL313-0716-3-00
			1/1