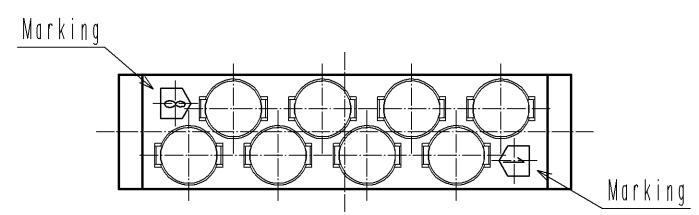
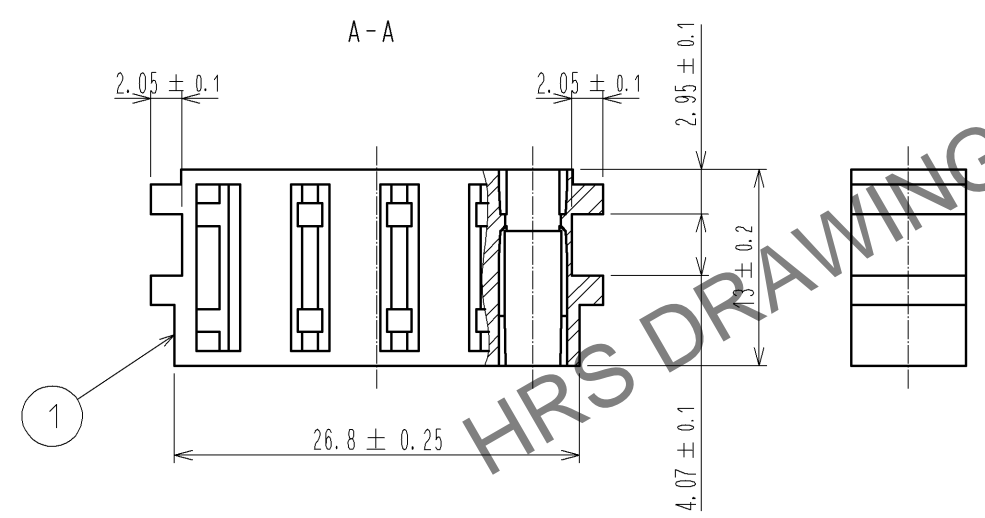
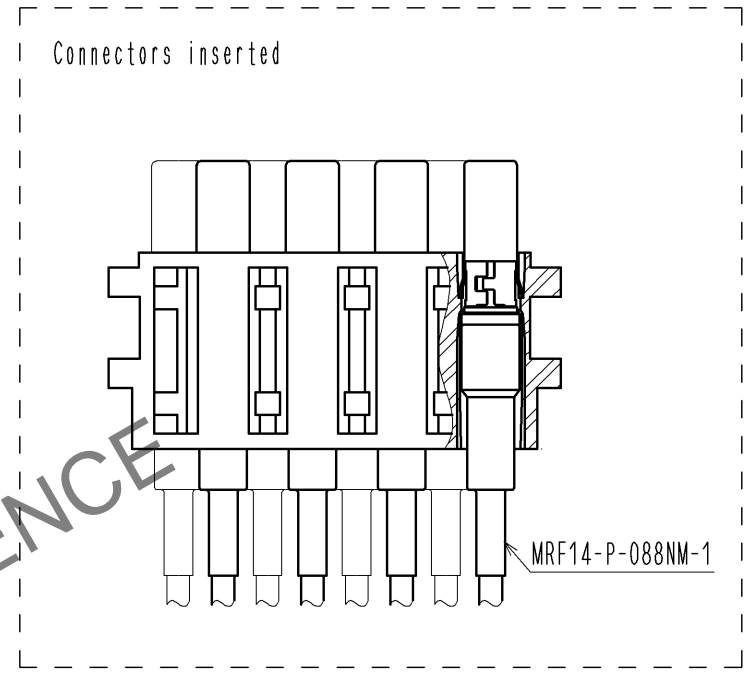
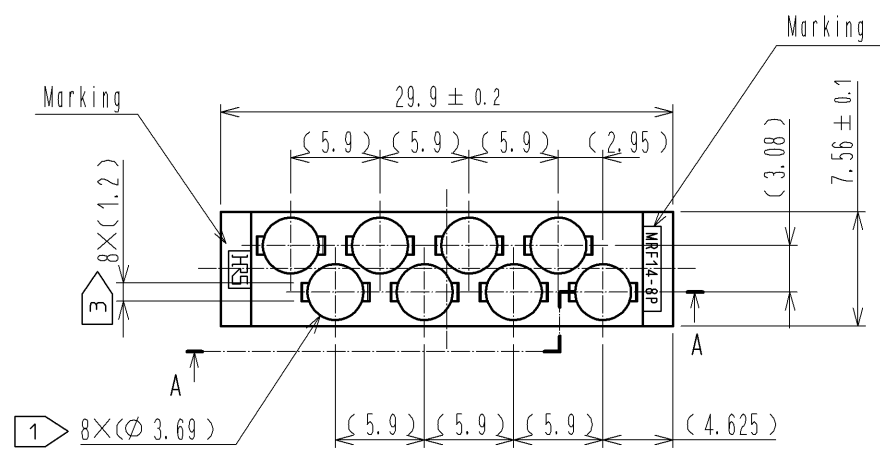


Sep.1.2024 Copyright 2024 HIROSE ELECTRIC CO., LTD. All Rights Reserved.  
In case of consideration for using Automotive equipment / device which demand high reliability, kindly contact our sales window correspondents.



- Notes
- ① Coaxial connectors of MRF14-P-088NM-1(CL313-0714-8) are inserted into holes of  $\varnothing 3.69$ .
  - 2. This product shall be mated with MRF14-8J-CH (CL313-0722-6) without any failure, which connectors of MRF14-J-088NM-1(CL313-0715-0) are inserted into.
  - ③ The position is for inserting of Unmating tool.

RoHS COMPLIANT

NON-MAGNETIC

1	PBT	UL94V-0 (WHITE)				
NO.	MATERIAL	FINISH . REMARKS	NO.	MATERIAL	FINISH . REMARKS	
UNITS mm		SCALE 2 : 1		DESCRIPTION OF REVISIONS	DESIGNED	CHECKED DATE
<b>HRS</b> HIROSE ELECTRIC CO., LTD.			APPROVED : KY. SHIMIZU	14. 08. 20	DRAWING NO. EDC3-349222-81	
			CHECKED : KY. SHIMIZU	14. 08. 20	PART NO. MRF14-8P-CH	
			DESIGNED : TM. YOSHIDA	14. 08. 18	CODE NO. CL313-0721-3-00	
			DRAWN : TM. YOSHIDA	14. 08. 18	①/1	