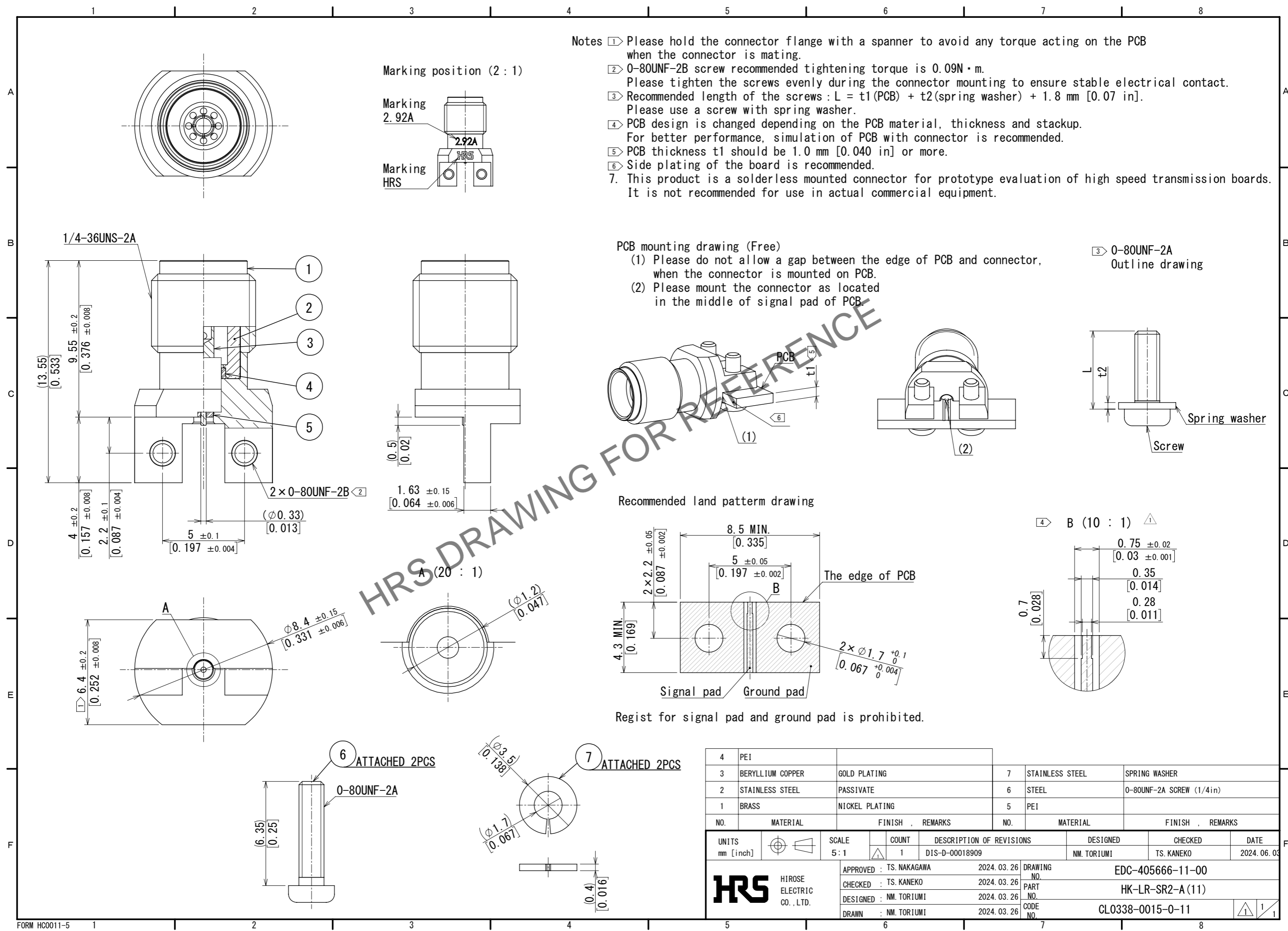
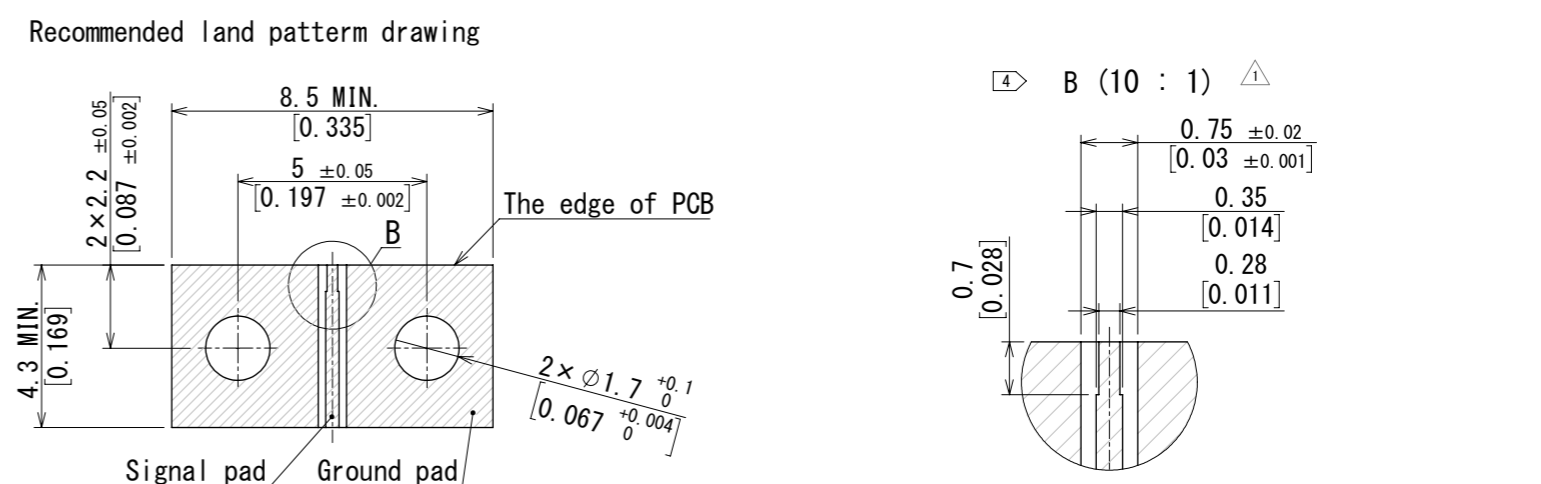
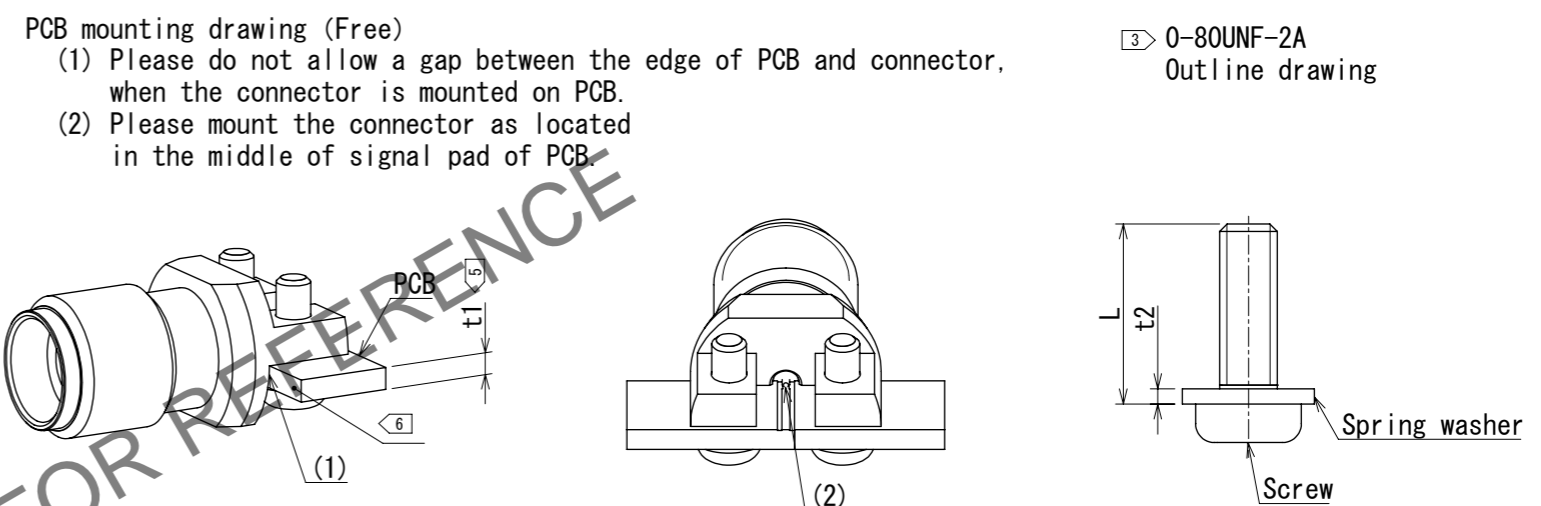


Mar.1.2026 Copyright 2026 HIROSE ELECTRIC CO., LTD. All Rights Reserved.
In case of consideration for using Automotive equipment / device which demand high reliability, kindly contact our sales window correspondents.



- Notes
- ① Please hold the connector flange with a spanner to avoid any torque acting on the PCB when the connector is mating.
 - ② 0-80UNF-2B screw recommended tightening torque is 0.09N·m.
Please tighten the screws evenly during the connector mounting to ensure stable electrical contact.
 - ③ Recommended length of the screws : $L = t1(\text{PCB}) + t2(\text{spring washer}) + 1.8 \text{ mm} [0.07 \text{ in}]$.
Please use a screw with spring washer.
 - ④ PCB design is changed depending on the PCB material, thickness and stackup.
For better performance, simulation of PCB with connector is recommended.
 - ⑤ PCB thickness $t1$ should be 1.0 mm [0.040 in] or more.
 - ⑥ Side plating of the board is recommended.
 7. This product is a solderless mounted connector for prototype evaluation of high speed transmission boards.
It is not recommended for use in actual commercial equipment.



Regist for signal pad and ground pad is prohibited.

NO.	MATERIAL	FINISH	REMARKS	NO.	MATERIAL	FINISH	REMARKS
4	PEI			7	STAINLESS STEEL		SPRING WASHER
3	BERYLLIUM COPPER	GOLD PLATING		6	STEEL		0-80UNF-2A SCREW (1/4in)
2	STAINLESS STEEL	PASSIVATE		5	PEI		
1	BRASS	NICKEL PLATING					

UNITS	SCALE	COUNT	DESCRIPTION OF REVISIONS	DESIGNED	CHECKED	DATE
mm [inch]	5:1	1	DIS-D-00018909	NM. TORIUMI	TS. KANEKO	2024.06.03

APPROVED	DATE	DRAWING NO.
TS. NAKAGAWA	2024.03.26	EDC-405666-11-00
TS. KANEKO	2024.03.26	HK-LR-SR2-A(11)
NM. TORIUMI	2024.03.26	CL0338-0015-0-11
NM. TORIUMI	2024.03.26	