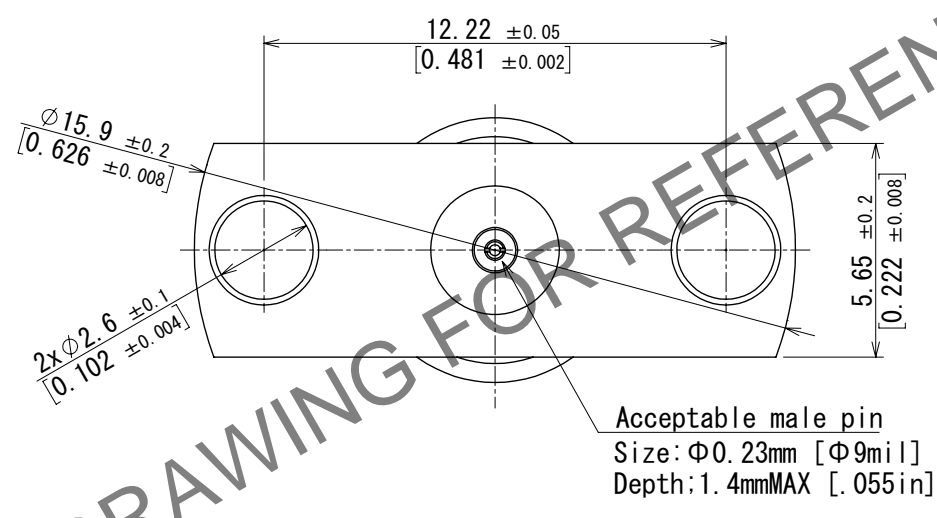
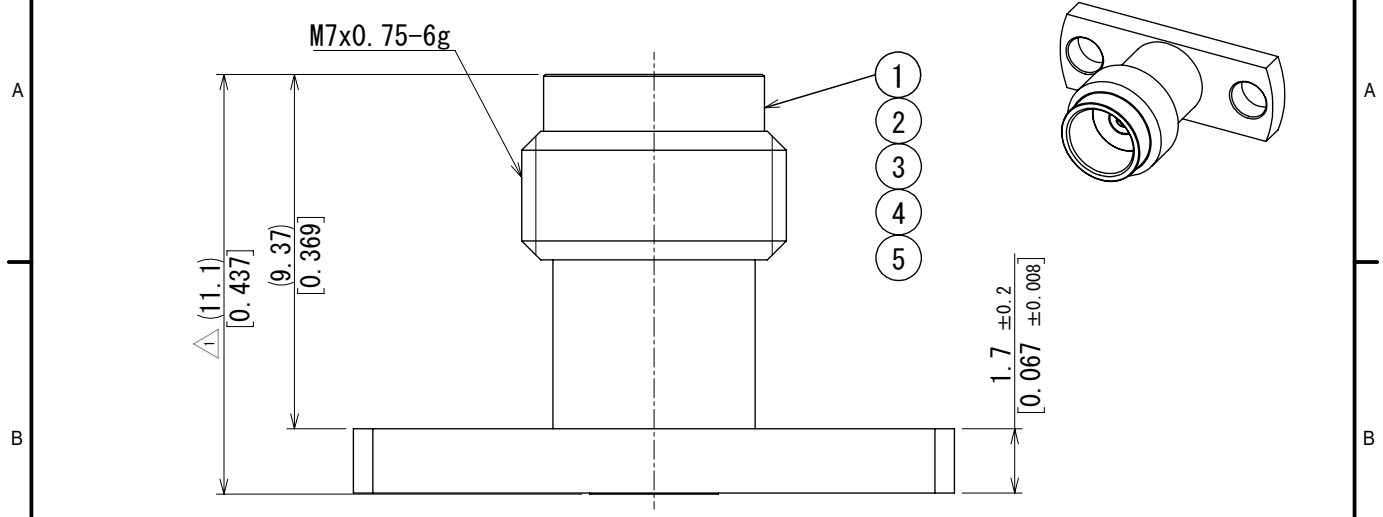
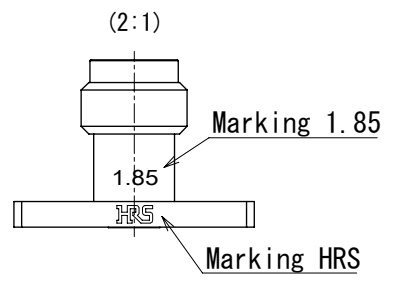
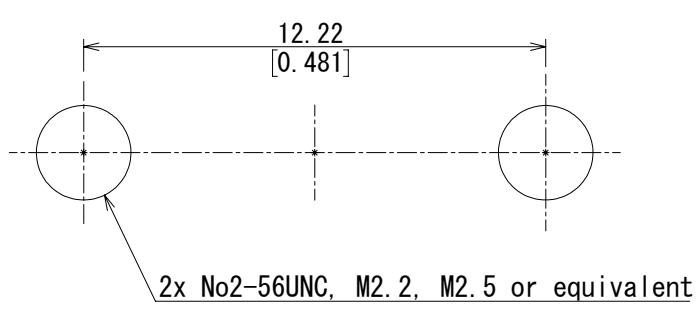


Nov.1.2024 Copyright 2024 HIROSE ELECTRIC CO., LTD. All Rights Reserved.
 In case of consideration for using Automotive equipment / device which demand high reliability, kindly contact our sales window correspondents.

⚠ Connector Guideline: ETAD-D1601-00



Recommended panel dimensions



| 3 | BERYLLIUM COPPER | GOLD PLATING | | | | | |
|-----|------------------|----------------|---------|------|----------|--------|---------|
| 2 | STAINLESS STEEL | PASSIVATED | 5 | PTFE | | | |
| 1 | BRASS | NICKEL PLATING | 4 | PEI | | | |
| NO. | MATERIAL | FINISH | REMARKS | NO. | MATERIAL | FINISH | REMARKS |

| | | | | | | | | |
|---------------------------|-------------------------|--|--------------|------------|--|------------------------|-------------------------|--------------------|
| HIROSE ELECTRIC CO., LTD. | UNITS mm/[inch] | | SCALE 5:1 | COUNT 2 | DESCRIPTION OF REVISIONS DIS-D-00019425 | DESIGNED TS. KANEKO | CHECKED TS. NAKAGAWA | DATE 2024.09.05 |
| | APPROVED : TS. NAKAGAWA | | 2024.06.20 | | DRAWING NO. | | EDC-405920-00-00 | |
| | CHECKED : TS. NAKAGAWA | | 2024.06.20 | | PART NO. | | HV-R-FR2 (12.22) | |
| | DESIGNED : TS. KANEKO | | 2024.06.20 | | CODE NO. | | CL0338-0016-0-00 | |
| | DRAWN : TS. KANEKO | | 2024.06.20 | | | | 1/1 | |