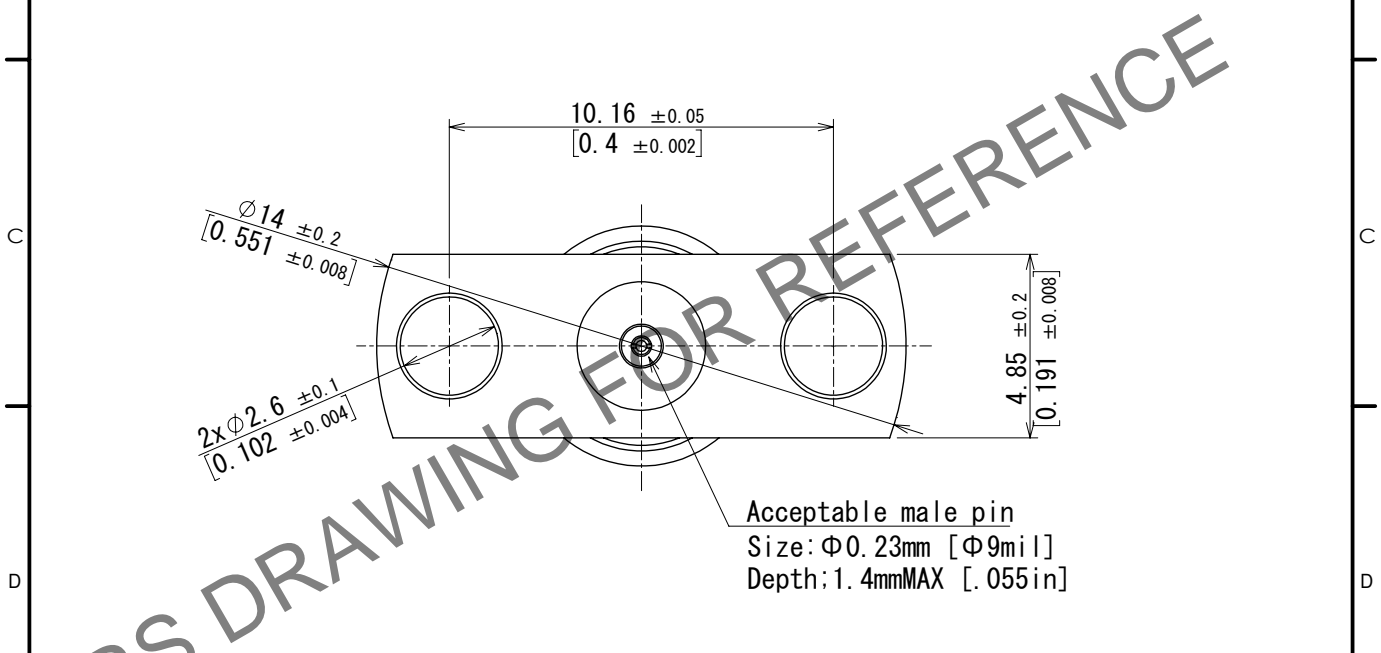
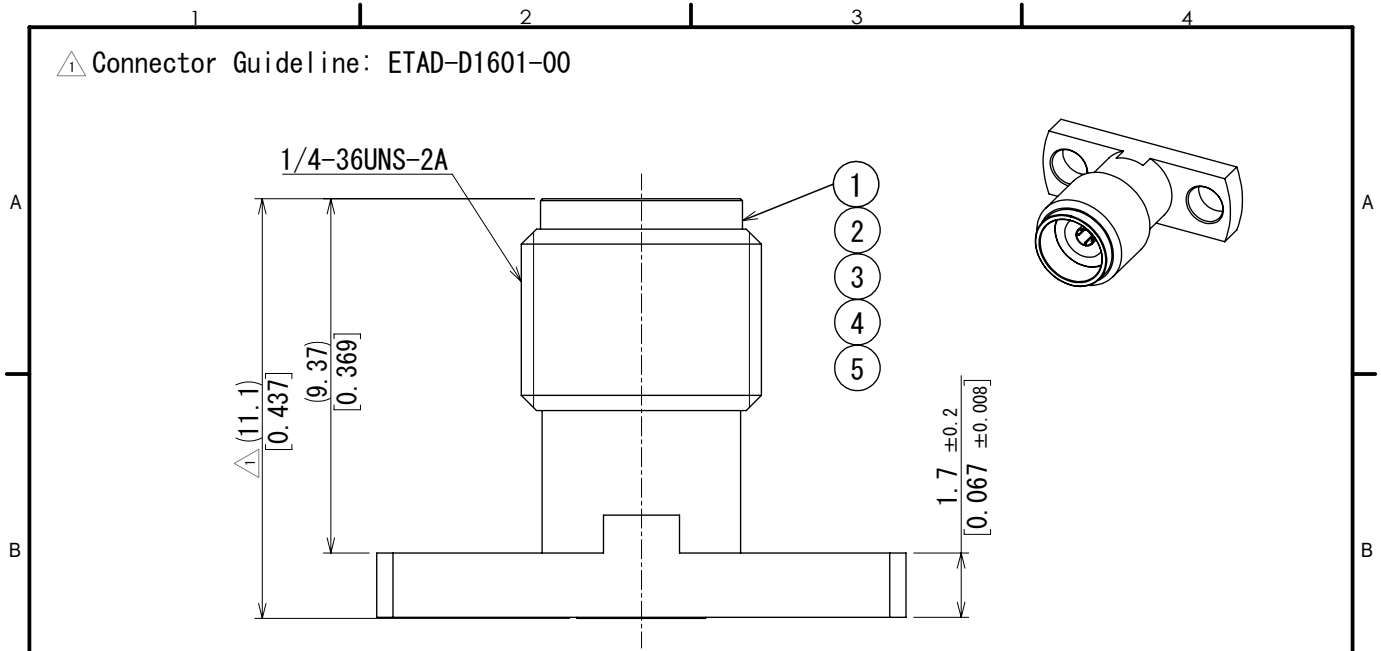
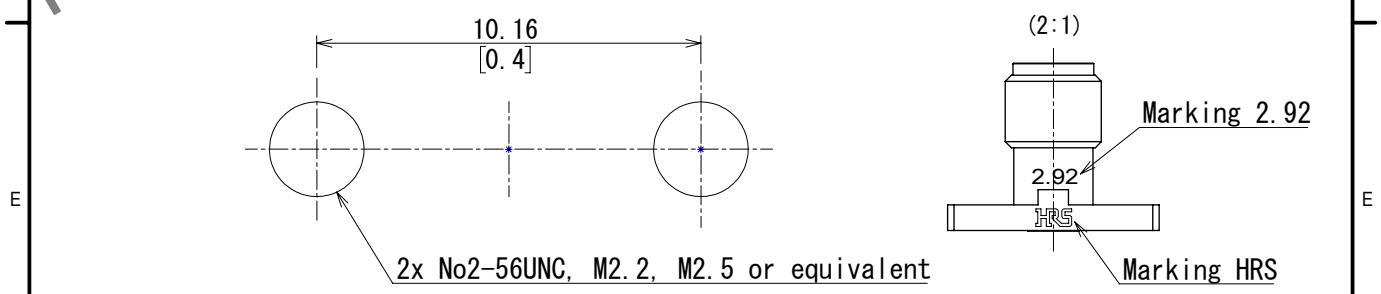


Mar.1.2026 Copyright 2026 HIROSE ELECTRIC CO., LTD. All Rights Reserved.  
 In case of consideration for using Automotive equipment / device which demand high reliability, kindly contact our sales window correspondents.

△ Connector Guideline: ETAD-D1601-00



Recommended panel dimensions



3	BERYLLIUM COPPER	GOLD PLATING					
2	STAINLESS STEEL	PASSIVATED	5	PTFE			
1	BRASS	NICKEL PLATING	4	PEI			
NO.	MATERIAL	FINISH	REMARKS	NO.	MATERIAL	FINISH	REMARKS

HIROSE ELECTRIC CO., LTD.	UNITS	SCALE	COUNT	DESCRIPTION OF REVISIONS	DESIGNED	CHECKED	DATE
	mm/[inch]	5:1	2	DIS-D-00019425	TS. KANEKO	TS. NAKAGAWA	2024. 09. 05
	APPROVED	2024. 07. 28	DRAWING NO.	EDC-407440-00-00			
	CHECKED	2024. 07. 28	PART NO.	HK-R-FR2 (10. 16)			
	DESIGNED	2024. 07. 26	CODE NO.	CL0338-0025-0-00			
DRAWN	2024. 07. 26					1/1	