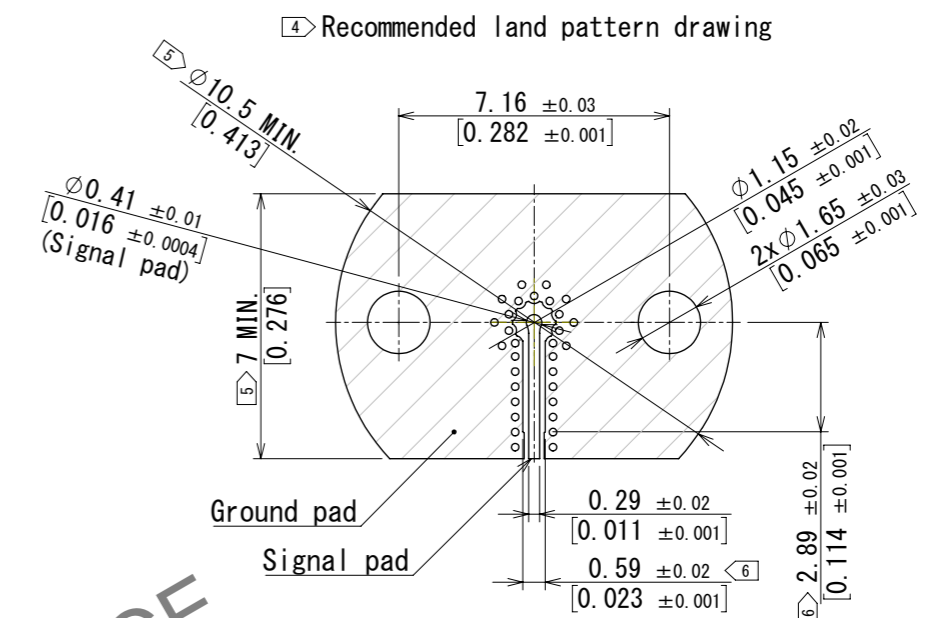
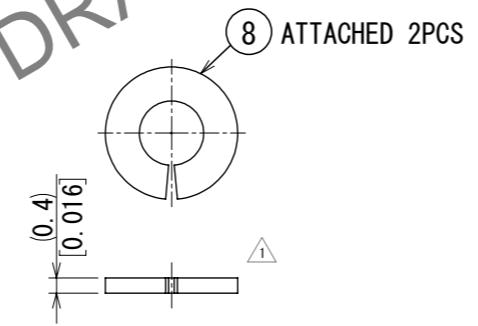
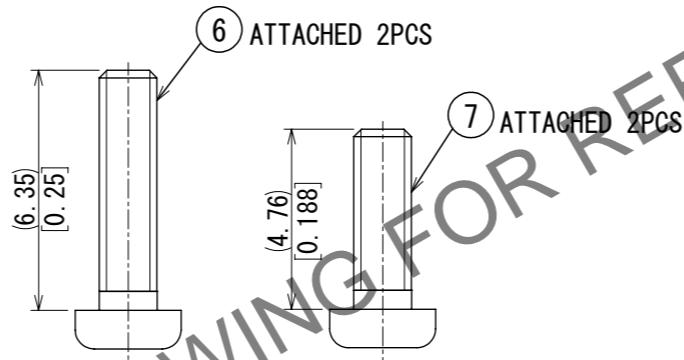
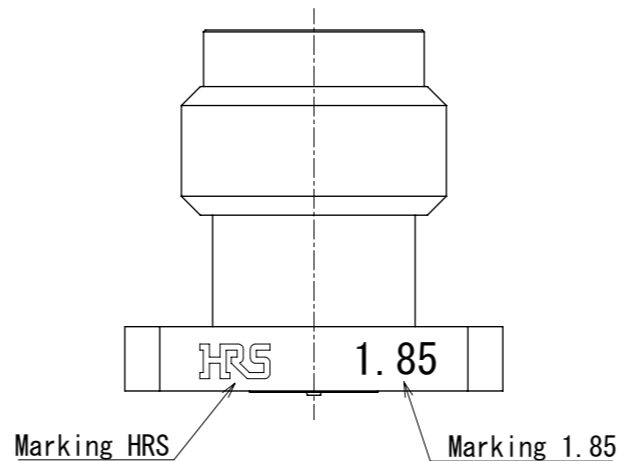
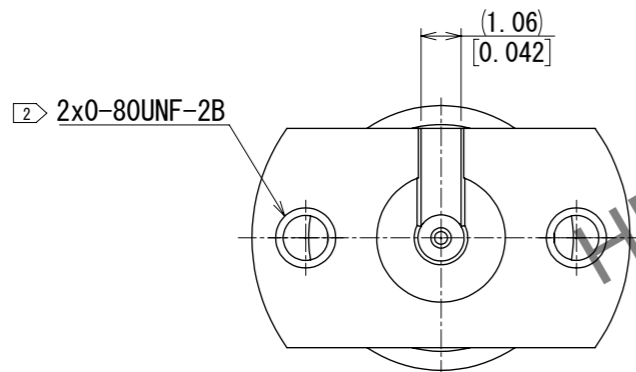
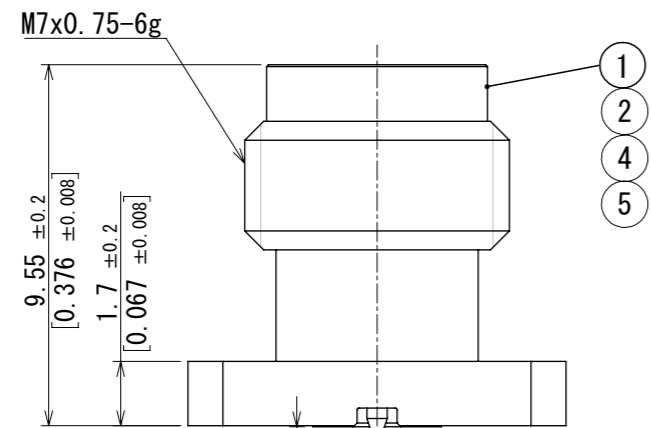
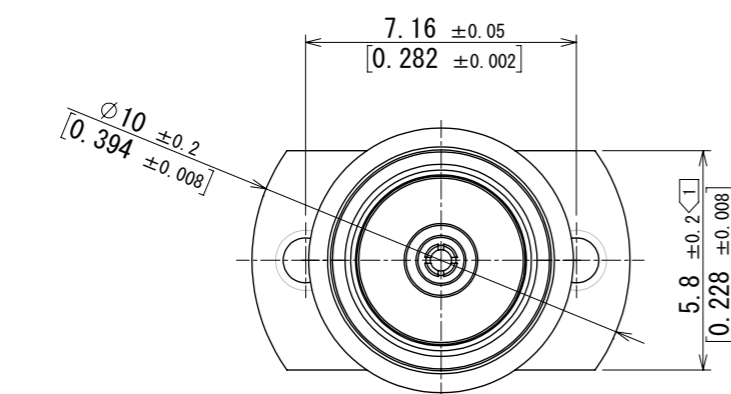
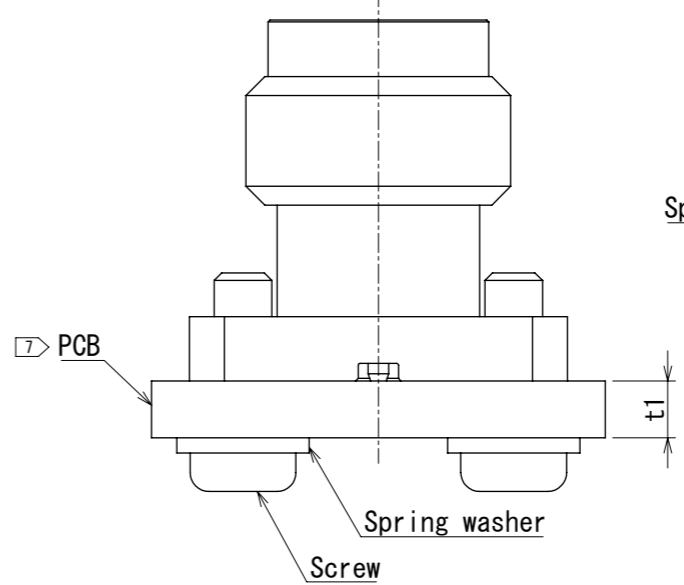


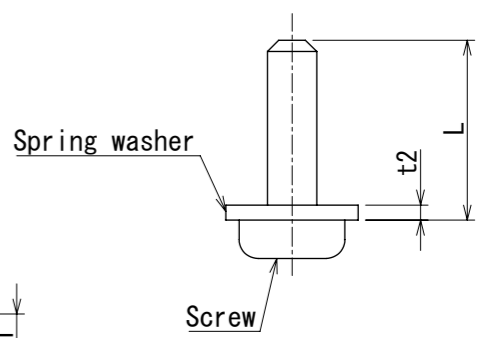
Jan.1.2025 Copyright 2025 HIROSE ELECTRIC CO., LTD. All Rights Reserved.  
 In case of consideration for using Automotive equipment / device which demand high reliability, kindly contact our sales window correspondents.



3 PCB mounting drawing



3 0-80UNF Outline drawing



- 1 Please hold the connector flange with a spanner to avoid any torque acting on the PCB when the connector is mating.
- 2 0-80UNF screws recommended tightening torque is 0.09N·m.  
Please tighten the screws evenly during the connector mounting to ensure stable electrical contact.
- 3 Recommended length of the screws:  $L = t1(\text{PCB}) + t2(\text{spring washer}) + 2 \text{ mm} [0.08 \text{ in}]$ .
- 4 PCB design is changed depending on the PCB material, thickness and stackup.
- 5 The solder mask prohibited area is indicated.
- 6 The connector is placed over this area.
- 7 PCB thickness t1 should be 0.8 mm [0.032 in] or more.
- 8. This connector is not recommended for use in actual commercial equipment.

4	PEI		8	STAINLESS STEEL	(SPRING WASHER 2pcs)		
3	BERYLLIUM COPPER	GOLD PLATING	7	STEEL	(0-80UNF 3/16in 2pcs)		
2	STAINLESS STEEL	PASSIVATED	6	STEEL	(0-80UNF 1/4in 2pcs)		
1	BRASS	NICKEL PLATING	5	PTFE			
NO.	MATERIAL	FINISH	REMARKS	NO.	MATERIAL	FINISH	REMARKS
UNITS		SCALE		COUNT		DESCRIPTION OF REVISIONS	
mm [inch]		5:1		1		DIS-D-00016021	
APPROVED : TS. NAKAGAWA				2023.05.18		DRAWING NO. EDC-401978-15-00	
CHECKED : TS. NAKAGAWA				2023.05.18		PART NO. HV-R-SR2-SA (15)	
DESIGNED : TS. KANEKO				2023.05.18		CODE NO. CL0338-0030-0-15	
DRAWN : TS. KANEKO				2023.05.18			
DESIGNED				CHECKED		DATE	
TS. KANEKO				TS. NAKAGAWA		2023.06.01	