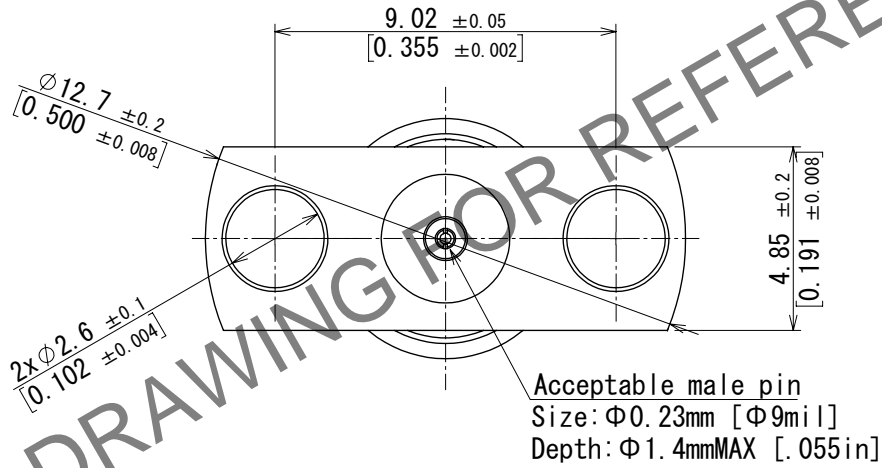
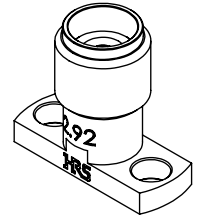
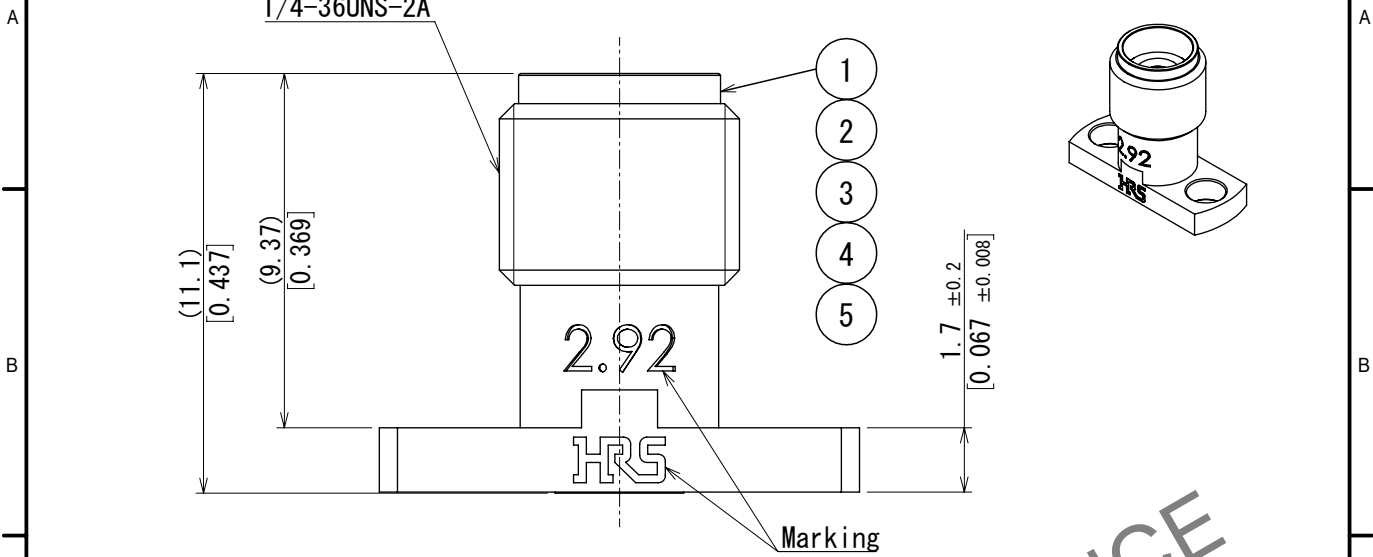
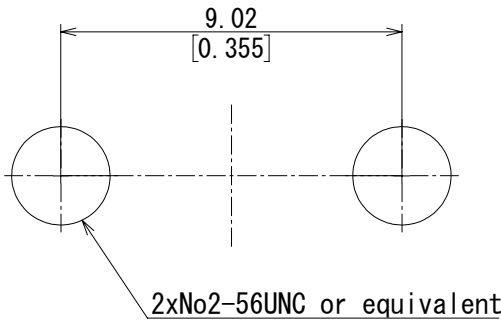


Connector Guideline:ETAD-D1601-00



Recommended panel dimensions



3	Beryllium copper	Gold plating					
2	Stainless steel	Passivated	5	PTFE			
1	Brass	Nickel plating	4	PEI			
NO.	MATERIAL	FINISH	REMARKS	NO.	MATERIAL	FINISH	REMARKS

	HIROSE ELECTRIC CO., LTD.	APPROVED : TS. NAKAGAWA	2025. 10. 16	DRAWING NO.	EDC-408018-00-00
		CHECKED : TS. KANEKO	2025. 10. 15	PART NO.	HK-R-FR2 (9. 02)
		DESIGNED : TY. KIKUCHI	2025. 10. 15	CODE NO.	CL0338-0043-0-00
		DRAWN : TY. KIKUCHI	2025. 10. 15		

Mar.1.2026 Copyright 2026 HIROSE ELECTRIC CO., LTD. All Rights Reserved. In case of consideration for using Automotive equipment / device which demand high reliability, kindly contact our sales window correspondents.

HRS DRAWING FOR REFERENCE