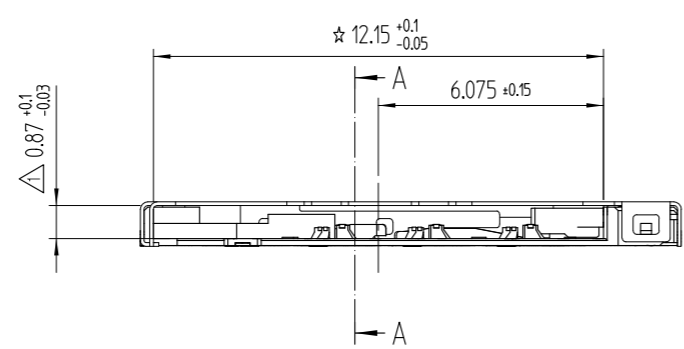
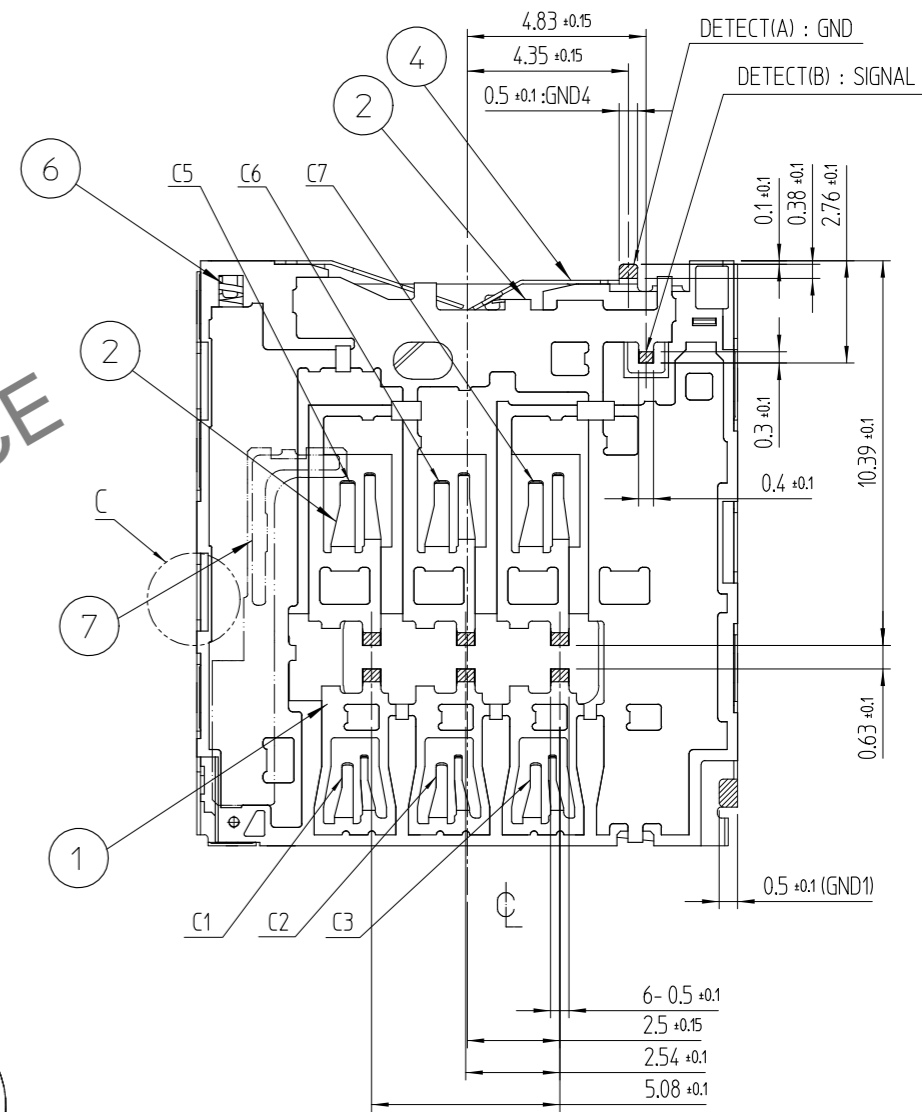
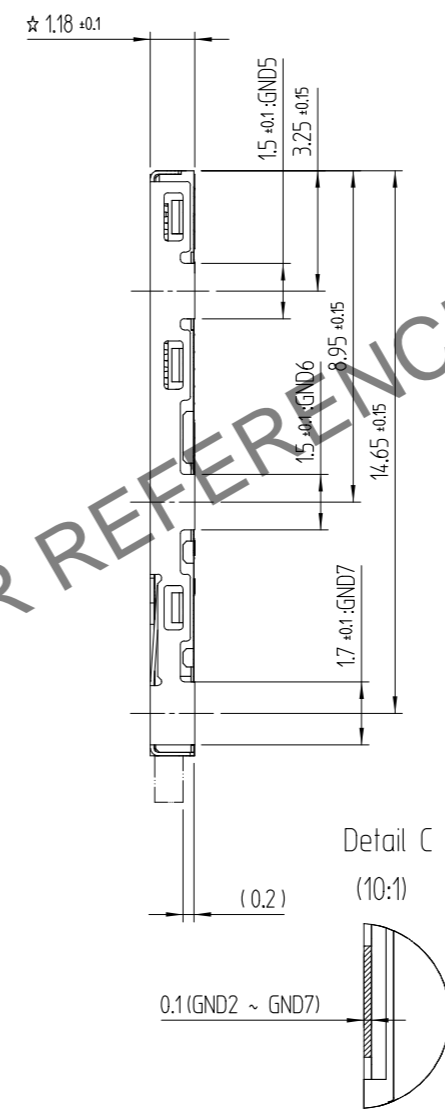
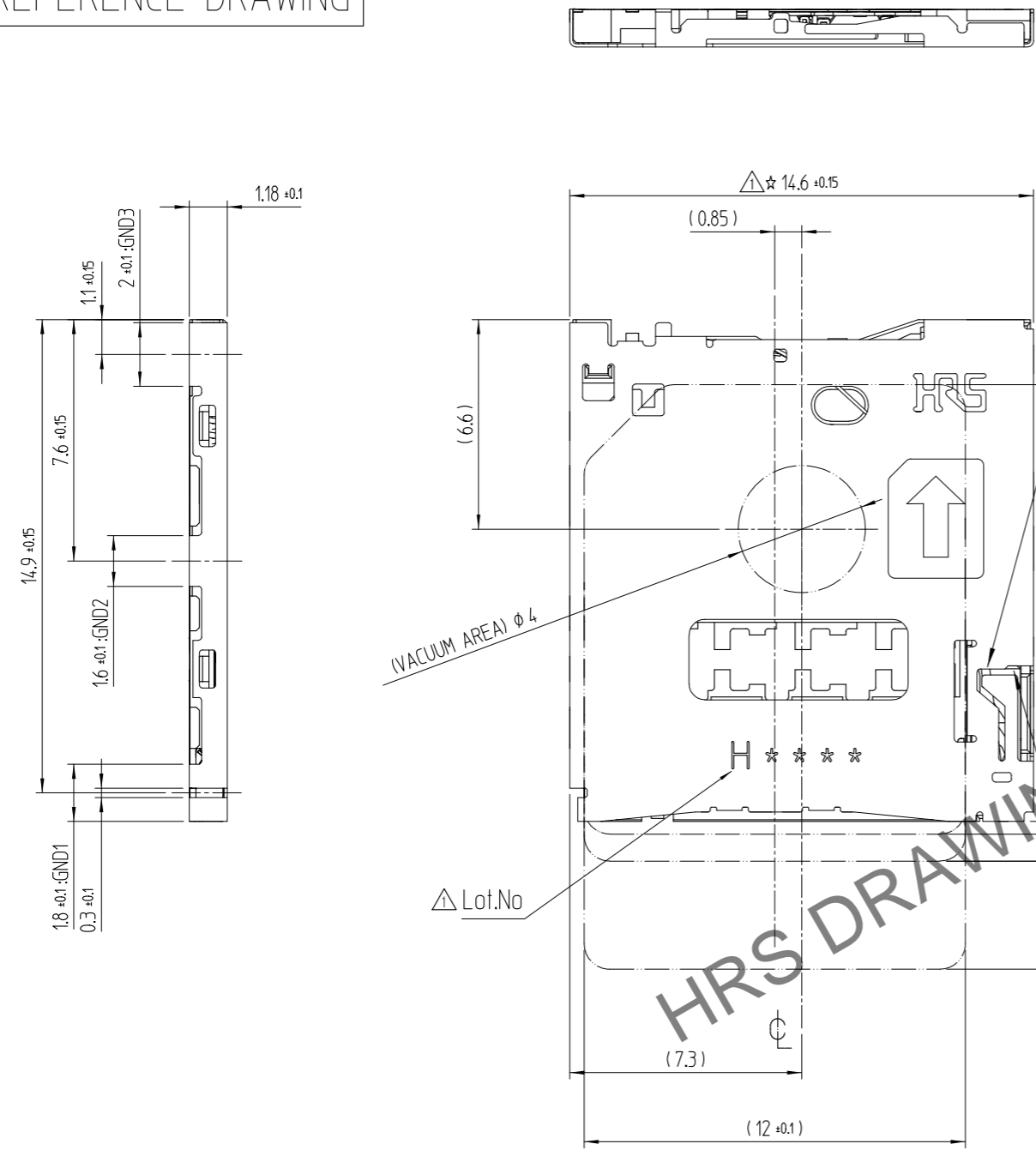


Apr.1.2025 Copyright 2025 HIROSE ELECTRIC CO., LTD. All Rights Reserved.  
In case of consideration for using Automotive equipment / device which demand high reliability, kindly contact our sales window correspondents.

△數 COUNT	訂正事項 DESCRIPTION OF REVISIONS	擔當 B Y	檢圖 CHKD	年月日 DATE	△數 COUNT	訂正事項 DESCRIPTION OF REVISIONS	擔當 B Y	檢圖 CHKD	年月日 DATE
12	RE-5-2286	K.C.J	A.B.H	19. 09. 11					
3	RE-5-2373	P.J.H	A.B.H	20. 04. 24					

REFERENCE DRAWING



7	EJECTOR PLATE	STAINLESS STEEL	
6	SPRING	STAINLESS STEEL	
5	PIN	STAINLESS STEEL	
4	COVER	STAINLESS STEEL	CONTACT : NIP + AuP MOUNTING : NIP + AuP
3	EJECTOR	LCP	BLACK UL94-V0
2	SH-CONTACT DETECT S/W	COPPER ALLOY	CONTACT: NIP + Pd-Ni + AuP MOUNTING: NIP + AuP
1	INS.BASE	LCP	BLACK UL94-V0

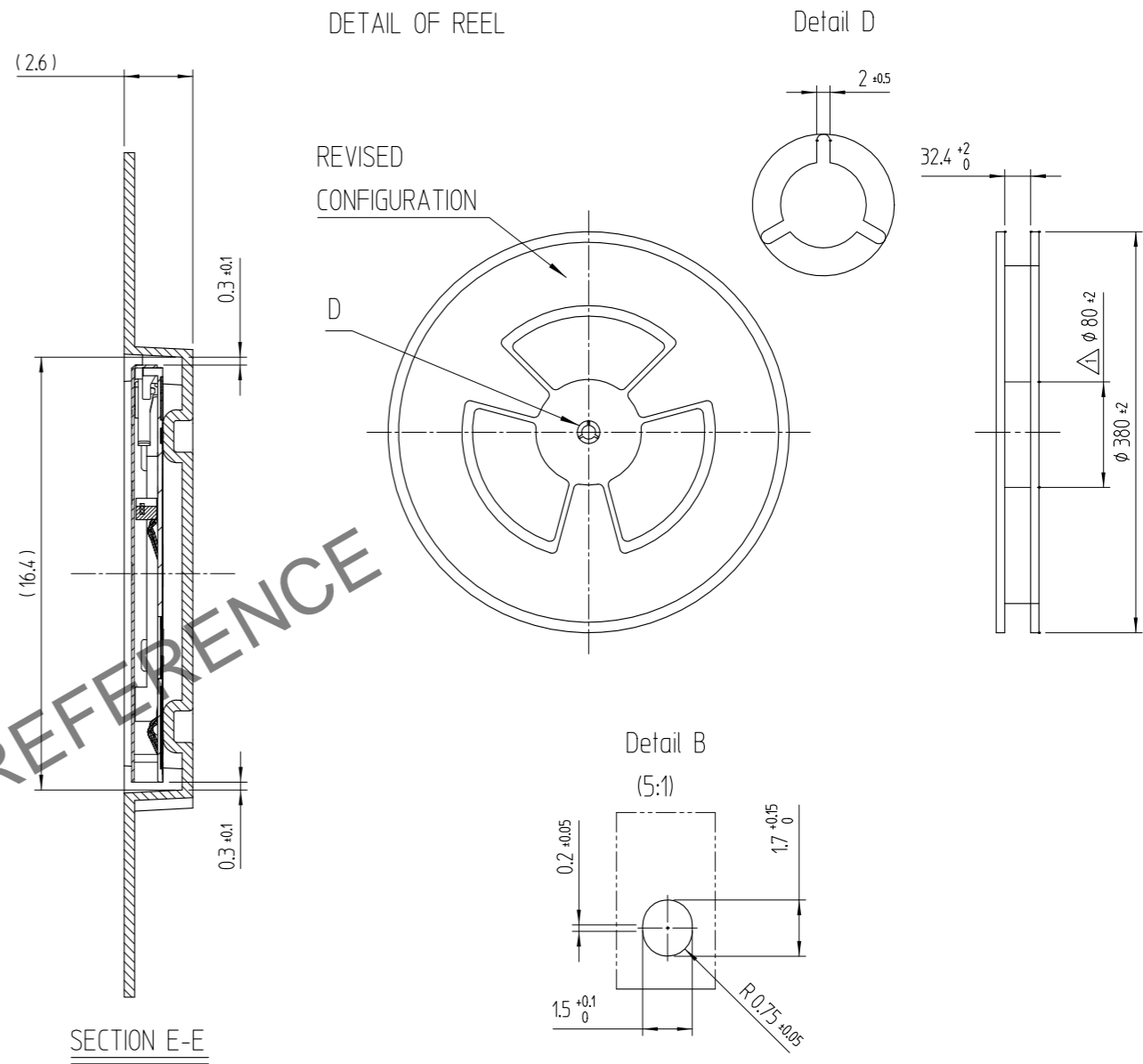
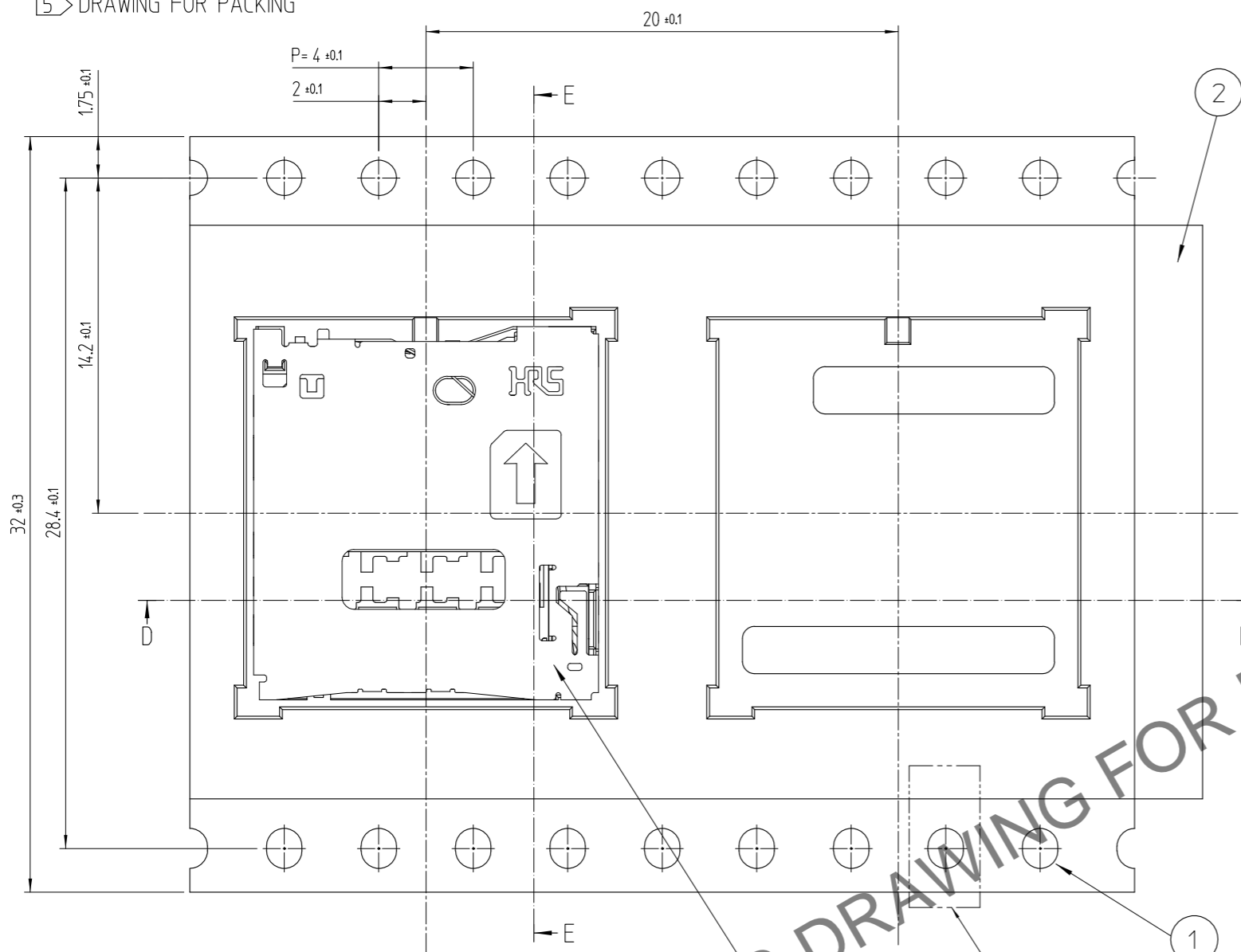
公差	公差	公差
公差	公差	公差
0	6	± 0.05
6	15	± 0.08
15	30	± 0.1
30	60	± 0.15

UNLESS OTHERWISE SPECIFIED, SEE TABLE FOR TOLERANCES	CODE NO. (OLD)	DRAWN	DESIGNED	CHECKED	APPROVED	RELEASED
公差	TITLE	C.K.KIM	C.K.KIM	J.H.CHOI	H.C.SONG	ENG 20.04.24 DEPT
公差	MICRO SIM CARD CONNECTOR	15.06.05	15.06.05	15.06.05	15.06.05	
公差	DRAWING NO. EDC3-631496	PART NO. KP10S-SF-PEJ(812)		CODE NO. CL 6519-0010-0-812		
公差	SCALE 5:1	UNITS mm		HRS HIROSE KOREA CO.,LTD.		
公差	角度 ANGULAR ± 1°			1/3		

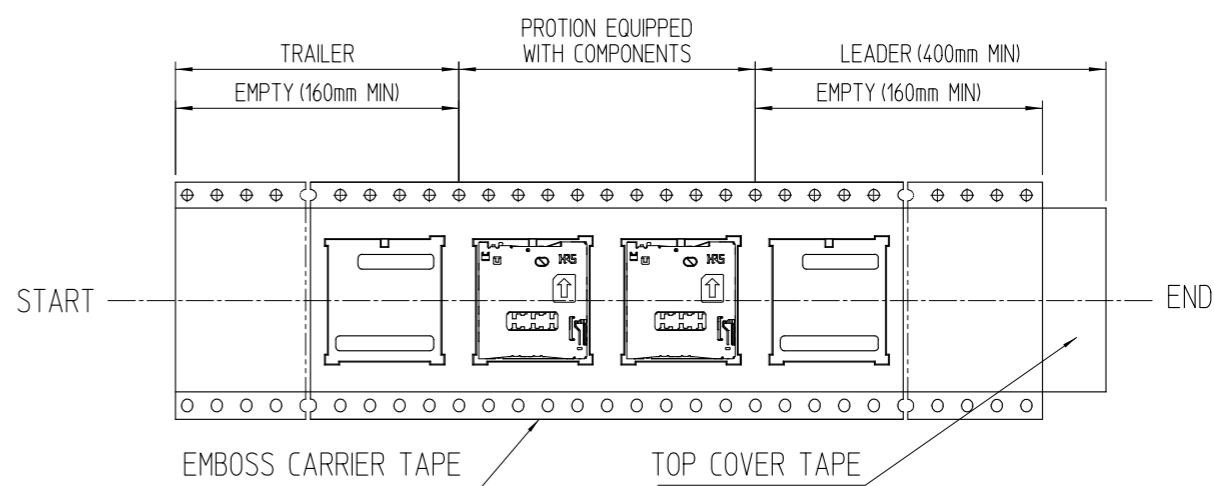
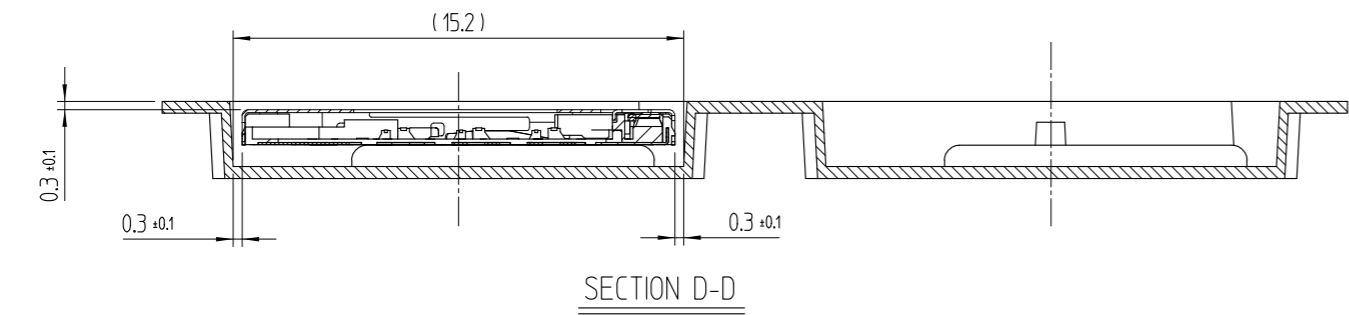


Apr.1.2025 Copyright 2025 HIROSE ELECTRIC CO., LTD. All Rights Reserved.  
 In case of consideration for using Automotive equipment / device which demand high reliability, kindly contact our sales window correspondents.

5 DRAWING FOR PACKING



UNREELING DIRECTION



3	(CONNECTOR)	
2	TOP COVER TAPE	POLYESTER
1	EMBOSS CARRIER TAPE	PS
△ No.	PART	MATERIAL
HRS HIROSE KOREA CO.,LTD.		圖番 DRAWING NO. EDC3-631496

3/3