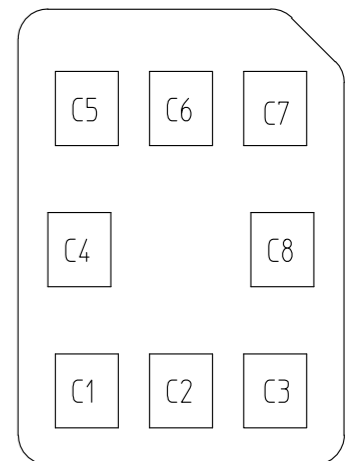
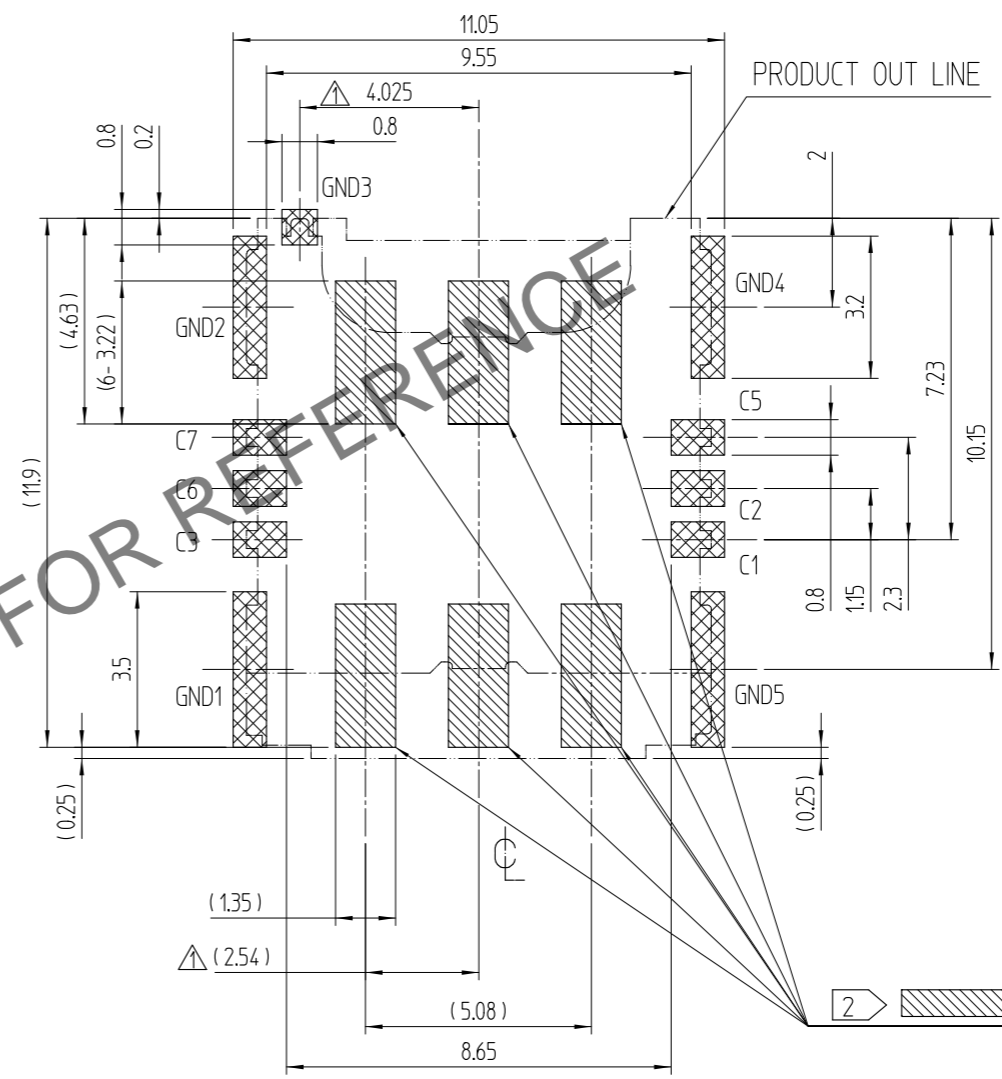
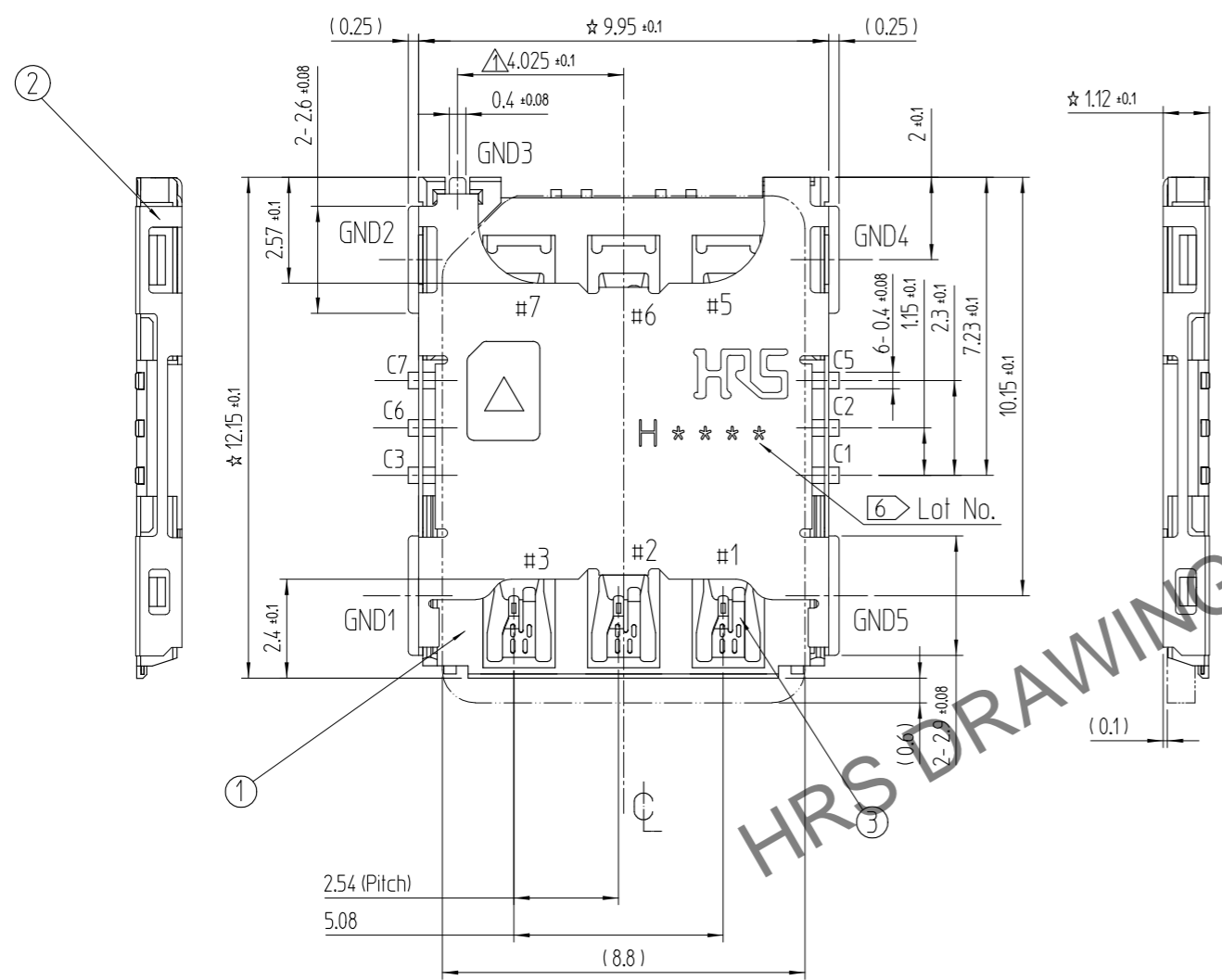


Apr.1.2025 Copyright 2025 HIROSE ELECTRIC CO., LTD. All Rights Reserved.
In case of consideration for using Automotive equipment / device which demand high reliability, kindly contact our sales window correspondents.

REFERENCE DRAWING

△數 COUNT	訂正事項 DESCRIPTION OF REVISIONS	擔當 B Y	檢圖 CHKD	年月日 DATE	△數 COUNT	訂正事項 DESCRIPTION OF REVISIONS	擔當 B Y	檢圖 CHKD	年月日 DATE
7	RE-5-1589	N.J.W	A.B.H	17. 02. 27					
2	RE-5-2373	P.J.H	A.B.H	20. 04. 24					

- △△ 1. CO-PLANARITY SHALL BE 0.1mm MAX
- ② NO PATTERNS PERMITTED IN THIS OBLIQUE - HATCHED AREA
- ③ PRODUCT SHALL NOT EXPOSE FROM THE PCB



NANO SIM CARD PAD LAY OUT

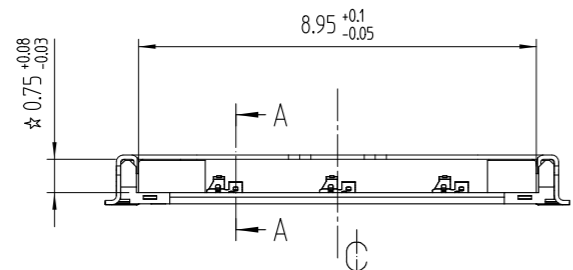
PIN No.	Name
C1	Vcc
C2	RST
C3	CLK
C5	GND
C6	Vpp
C7	I/O

NANO SIM CARD ASSIGNMENT

② NO PATTERN AREA

RECOMMEND P.C.B PATTERN LAYOUT (TOLERANCE : ±0.05)

RECOMMEND METAL MASK THICKNESS = 0.12mm



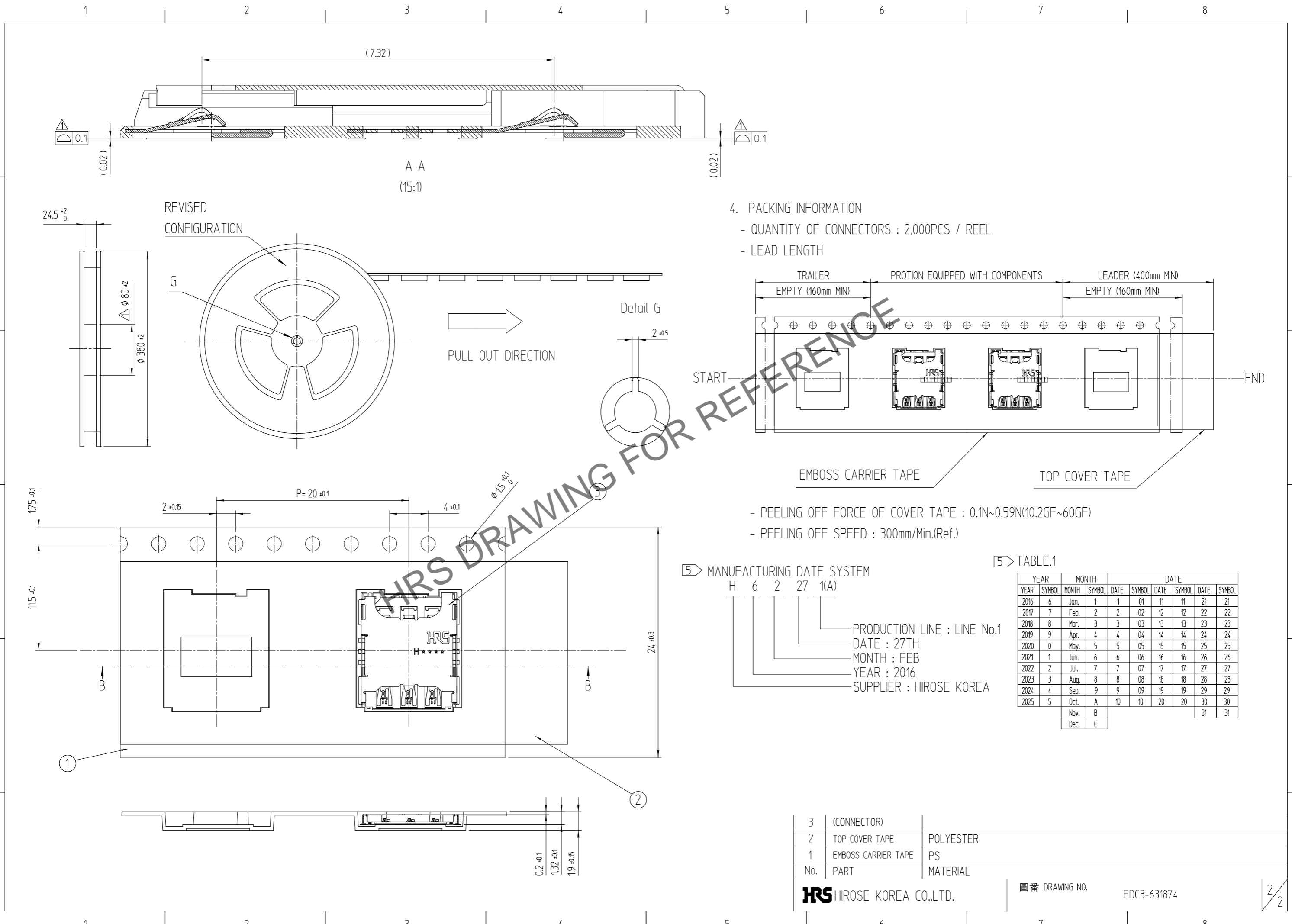
NO.	PART	MATERIAL	FINISH,REMARKS	NO.	PART	MATERIAL	FINISH,REMARKS
2	COVER	STAINLESS STEEL	MOUNTING : NiP + AuP	3	SH CONTACT	COPPER ALLOY	CONTACT : NiP + Pd-Ni + AuP
1	INS. BASE	LCP	BLACK UL94-V0				MOUNTING : NiP + AuP

UNLESS OTHERWISE SPECIFIED, SEE TABLE FOR TOLERANCES		公差 TOLERANCE		DRAWN		DESIGNED		CHECKED		APPROVED		RELEASED	
寸法区分	公差	公差	公差	寸法区分	公差	寸法区分	公差	寸法区分	公差	寸法区分	公差	寸法区分	公差
OVER	TO	公差	公差	寸法区分	公差	寸法区分	公差	寸法区分	公差	寸法区分	公差	寸法区分	公差
0	6	±0.05	±0.05	0	6	±0.05	±0.05	0	6	±0.05	±0.05	0	6
6	15	±0.08	±0.08	6	15	±0.08	±0.08	6	15	±0.08	±0.08	6	15
15	30	±0.1	±0.1	15	30	±0.1	±0.1	15	30	±0.1	±0.1	15	30
30	60	±0.15	±0.15	30	60	±0.15	±0.15	30	60	±0.15	±0.15	30	60

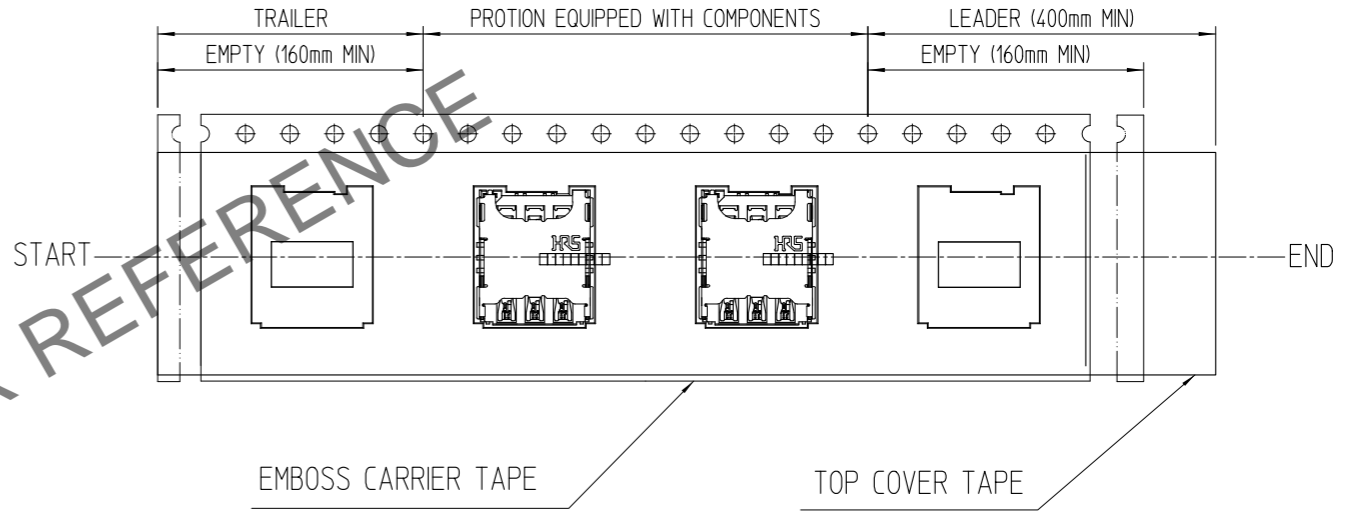
TITLE	DRAWING NO.	PART NO.
PUSH-PUSH SINGLE CARD SOCKET	EDC3-631874	KP13C-6S-SF(800)

SCALE	UNITS	CODE NO
6:1	mm	CL 6530-0007-2-800

Apr.1.2025 Copyright 2025 HIROSE ELECTRIC CO., LTD. All Rights Reserved.
In case of consideration for using Automotive equipment / device which demand high reliability, kindly contact our sales window correspondents.



4. PACKING INFORMATION
- QUANTITY OF CONNECTORS : 2,000PCS / REEL
 - LEAD LENGTH



- PEELING OFF FORCE OF COVER TAPE : 0.1N~0.59N(10.2GF~60GF)
- PEELING OFF SPEED : 300mm/Min.(Ref.)

5) MANUFACTURING DATE SYSTEM

H 6 2 27 1(A)

PRODUCTION LINE : LINE No.1
DATE : 27TH
MONTH : FEB
YEAR : 2016
SUPPLIER : HIROSE KOREA

5) TABLE.1

YEAR	SYMBOL	MONTH	SYMBOL	DATE				
				DATE	SYMBOL	DATE	SYMBOL	
2016	6	Jan.	1	1	01	11	21	21
2017	7	Feb.	2	2	02	12	22	22
2018	8	Mar.	3	3	03	13	23	23
2019	9	Apr.	4	4	04	14	24	24
2020	0	May.	5	5	05	15	25	25
2021	1	Jun.	6	6	06	16	26	26
2022	2	Jul.	7	7	07	17	27	27
2023	3	Aug.	8	8	08	18	28	28
2024	4	Sep.	9	9	09	19	29	29
2025	5	Oct.	A	10	10	20	30	30
		Nov.	B				31	31
		Dec.	C					

3	(CONNECTOR)	
2	TOP COVER TAPE	POLYESTER
1	EMBOSS CARRIER TAPE	PS
No.	PART	MATERIAL

HRS HIROSE KOREA CO.,LTD. 圖番 DRAWING NO. EDC3-631874 2/2