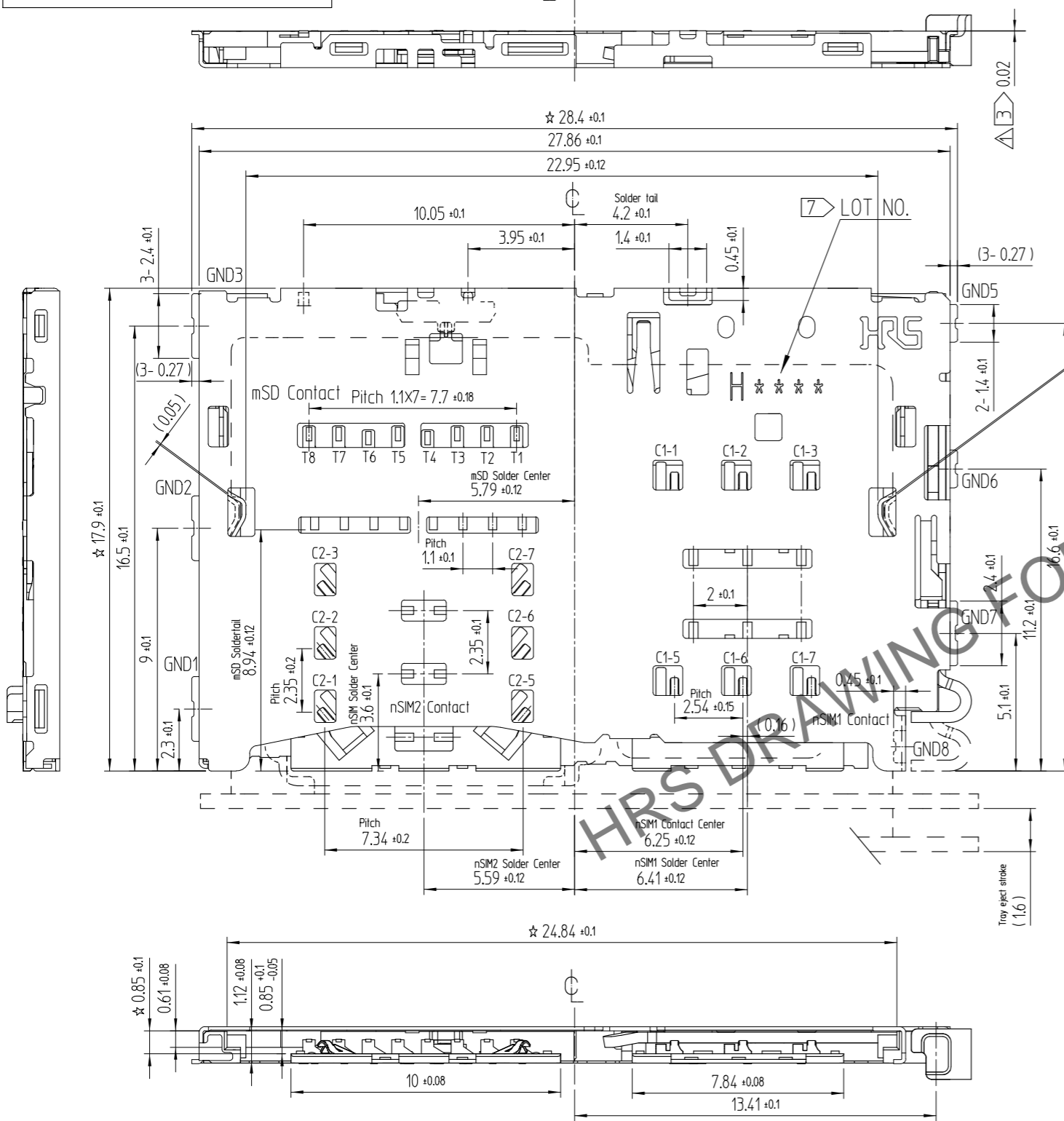


Apr.1.2025 Copyright 2025 HIROSE ELECTRIC CO., LTD. All Rights Reserved.  
In case of consideration for using Automotive equipment / device which demand high reliability, kindly contact our sales window correspondents.

△數 COUNT	訂正事項 DISCRPTION OF REVISIONS	擔當 B Y	檢圖 CHKD	年月日 DATE	△數 COUNT	訂正事項 DISCRPTION OF REVISIONS	擔當 B Y	檢圖 CHKD	年月日 DATE
3	RE-5-1570	N.J.W	A.B.H	17. 02. 24					
1	RE-5-2288	K.C.J	A.B.H	19. 09. 11					

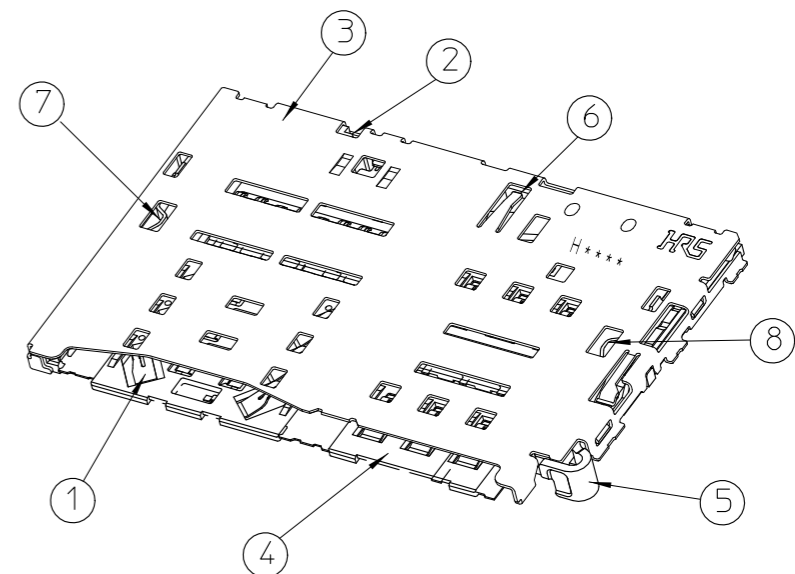
REFERENCE DRAWING



NOTE 1. MARK IS C.T.Q (CRITICAL TO QUALITY) POINT  
2. CARD DETECTION SWITCH

Tray insertion condition	Tray detection switch	Ground(Common)	Switch terminal
Without tray	Close		
Tray insertion	Open		

- △3 COPLANARITY SHALL BE 0.1mm MAX
- 4. MATES WITH : microSD Card or nanoSIM(UICC 4FF)Card
- 5. REFERENCE CARD DIMENSIONS ARE WITH STANDARD DIMENSION CARD
- 6. PACKING TYPE : TAPE AND 1,200PCS PER 1REEL



NO.	PART	MATERIAL	FINISH,REMARKS	NO.	PART	MATERIAL	FINISH,REMARKS
4	Ins.Base	LCP	BLACK / UL94-V0				
3	COVER	STAINLESS STEEL	NIP				
2	DETECT SWITCH	PHOSPHOR BRONZE	CONTACT: AuP + NiP MOUNTING: AuP + NiP	8	LATCH RIGHT	STAINLESS STEEL	NIP
				7	LATCH LEFT	STAINLESS STEEL	NIP
1	SH-CONTACT	COPPER ALLOY	CONTACT: AuP + Pd-Ni + NiP MOUNTING: AuP + NiP	6	LEVER	STAINLESS STEEL	-
				5	EJECT BAR	STAINLESS STEEL	-

UNLESS OTHERWISE SPECIFIED, SEE TABLE FOR TOLERANCES		CODE NO. (OLD)		DRAWN	DESIGNED	CHECKED	APPROVED	RELEASED
寸分區分	公差 TOLERANCE	TITLE		W.S.YOON	W.S.YOON	B.H.AN	H.C.SONG	ENG 19.09.11 DEPT
OVER	TO	3 IN 2 TRAY SOCKET		16.06.07	16.06.07	16.06.07	16.06.07	
0	6	DRAWING NO. EDC3-632045		PART NO. KP15TL-SF(800)				
6	15	SCALE 5:1		CODE NO. CL 6538-0007-3-800				
15	30	UNITS mm						
30	60	角度 ANGULAR ± 1°						

HRS DRAWING FOR REFERENCE

Apr.1.2025 Copyright 2025 HIROSE ELECTRIC CO., LTD. All Rights Reserved.  
In case of consideration for using Automotive equipment / device which demand high reliability, kindly contact our sales window correspondents.

RECOMMEND P.C.B PATTERN LAYOUT (TOLERANCE : ±0.05)  
RECOMMEND METAL MASK THICKNESS = 0.12mm

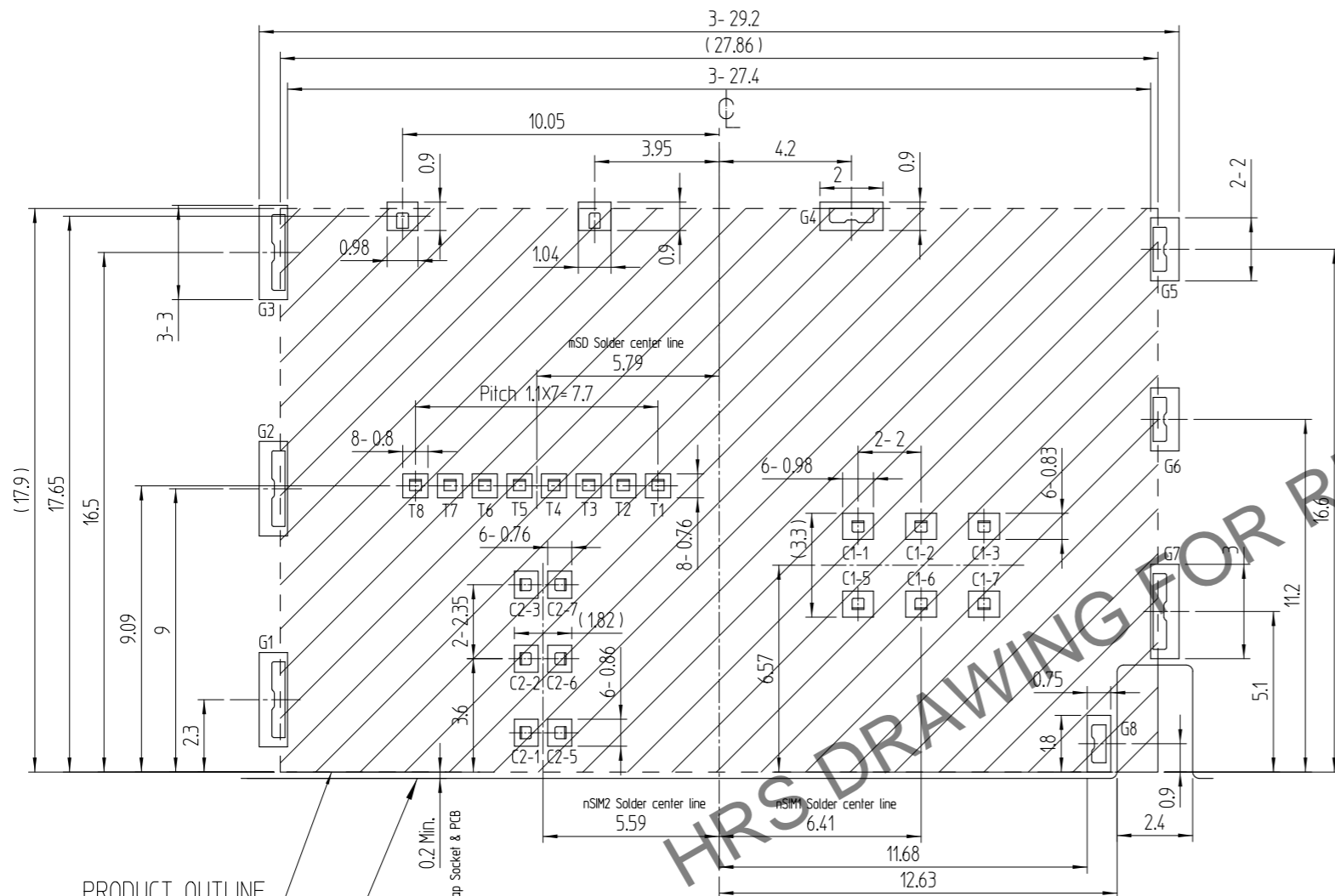
MANUFACTURING DATE SYSTEM

H 6 C 9 1(A)

PRODUCTION LINE : LINE No.  
DATE : 9TH  
MONTH : DEC  
YEAR : 2016  
SUPPLIER : HIROSE KOREA

TABLE.1

YEAR	SYMBOL	MONTH	SYMBOL	DATE	SYMBOL	DATE	SYMBOL	DATE	SYMBOL
2016	6	Jan.	1	1	01	11	11	21	21
2017	7	Feb.	2	2	02	12	12	22	22
2018	8	Mar.	3	3	03	13	13	23	23
2019	9	Apr.	4	4	04	14	14	24	24
2020	0	May.	5	5	05	15	15	25	25
2021	1	Jun.	6	6	06	16	16	26	26
2022	2	Jul.	7	7	07	17	17	27	27
2023	3	Aug.	8	8	08	18	18	28	28
2024	4	Sep.	9	9	09	19	19	29	29
2025	5	Oct.	A	10	10	20	20	30	30
		Nov.	B					31	31
		Dec.	C						



HRS DRAWING FOR REFERENCE

NO TRACE / NO VIA (NO PATTERN AREA)



ALL INNER SPACES OF A SOCKET MUST BE AVOID THE PATTERN ( NO TRACE / NO VIA / NO GROUND )  
EXCEPT, SOLDER PATTERN AND GROUND PATTERN.  
BECAUSE, SOCKET'S BOTTOM SURFACES ARE MADE OF METAL INCLUDING CONTACT TERMINAL'S MOVING AREA.

PIN No.	Name
C1-1	Vcc
C1-2	RST
C1-3	CLK
C1-4	Reserved
C1-5	GND
C1-6	Vpp
C1-7	I/O
C1-8	Reserved

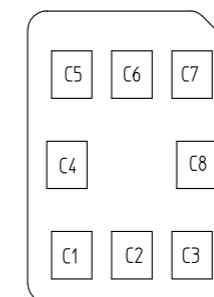
NANO SIM1 CARD ASSIGNMENT

PIN No.	Name
C2-1	Vcc
C2-2	RST
C2-3	CLK
C2-4	Reserved
C2-5	GND
C2-6	Vpp
C2-7	I/O
C2-8	Reserved

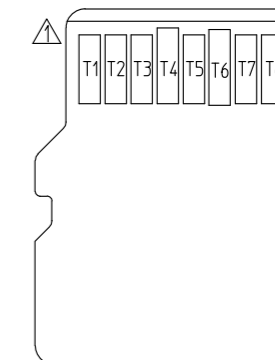
NANO SIM2 CARD ASSIGNMENT

PIN No.	Name
T1	DAT2
T2	CD/DATA3
T3	CMD
T4	Vdd
T5	CLK
T6	Vss(GND)
T7	DAT0
T8	DAT1

MICRO SD CARD ASSIGNMENT



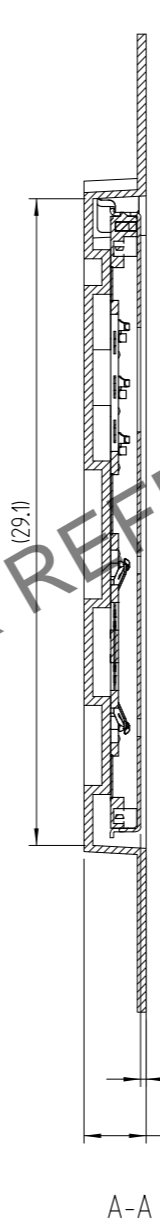
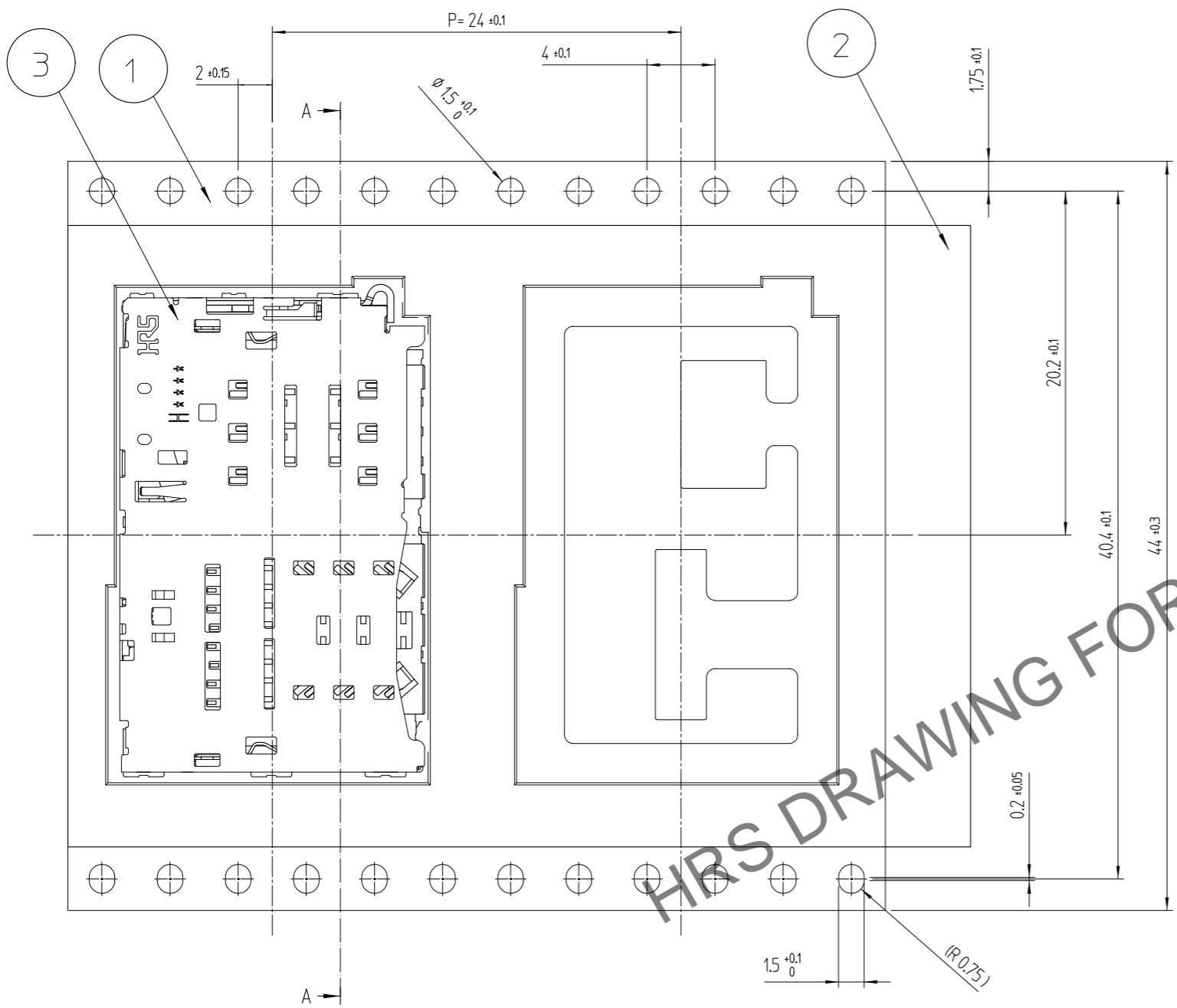
NANO SIM CARD PAD LAYOUT



MICRO SD CARD PAD LAYOUT

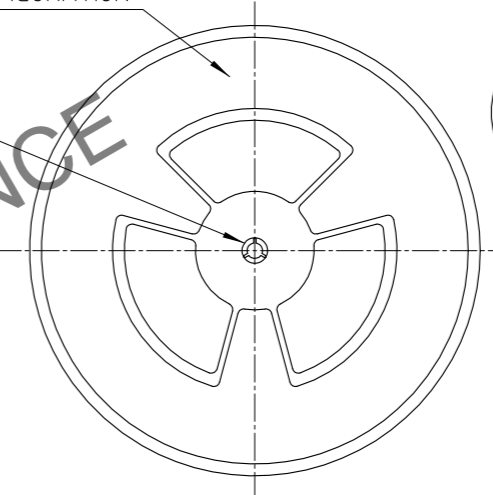
Apr.1.2025 Copyright 2025 HIROSE ELECTRIC CO., LTD. All Rights Reserved.  
 In case of consideration for using Automotive equipment / device which demand high reliability, kindly contact our sales window correspondents.

6 DRAWING FOR PACKING

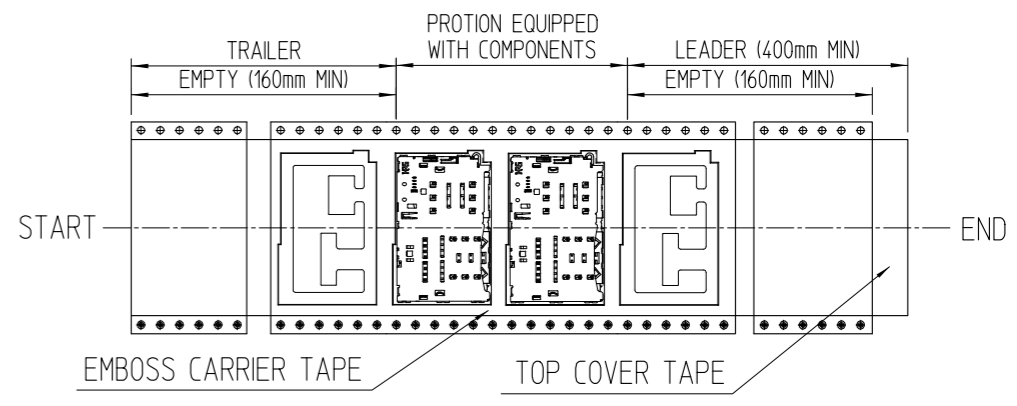
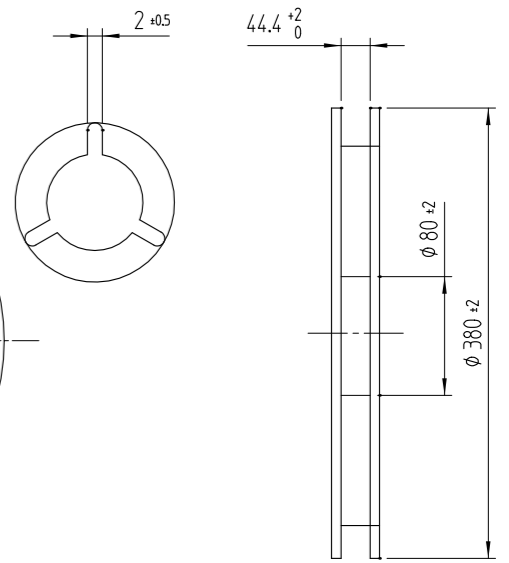


DETAIL OF REEL

REVISED CONFIGURATION



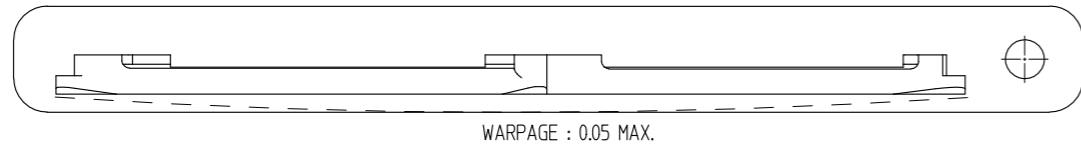
Detail G



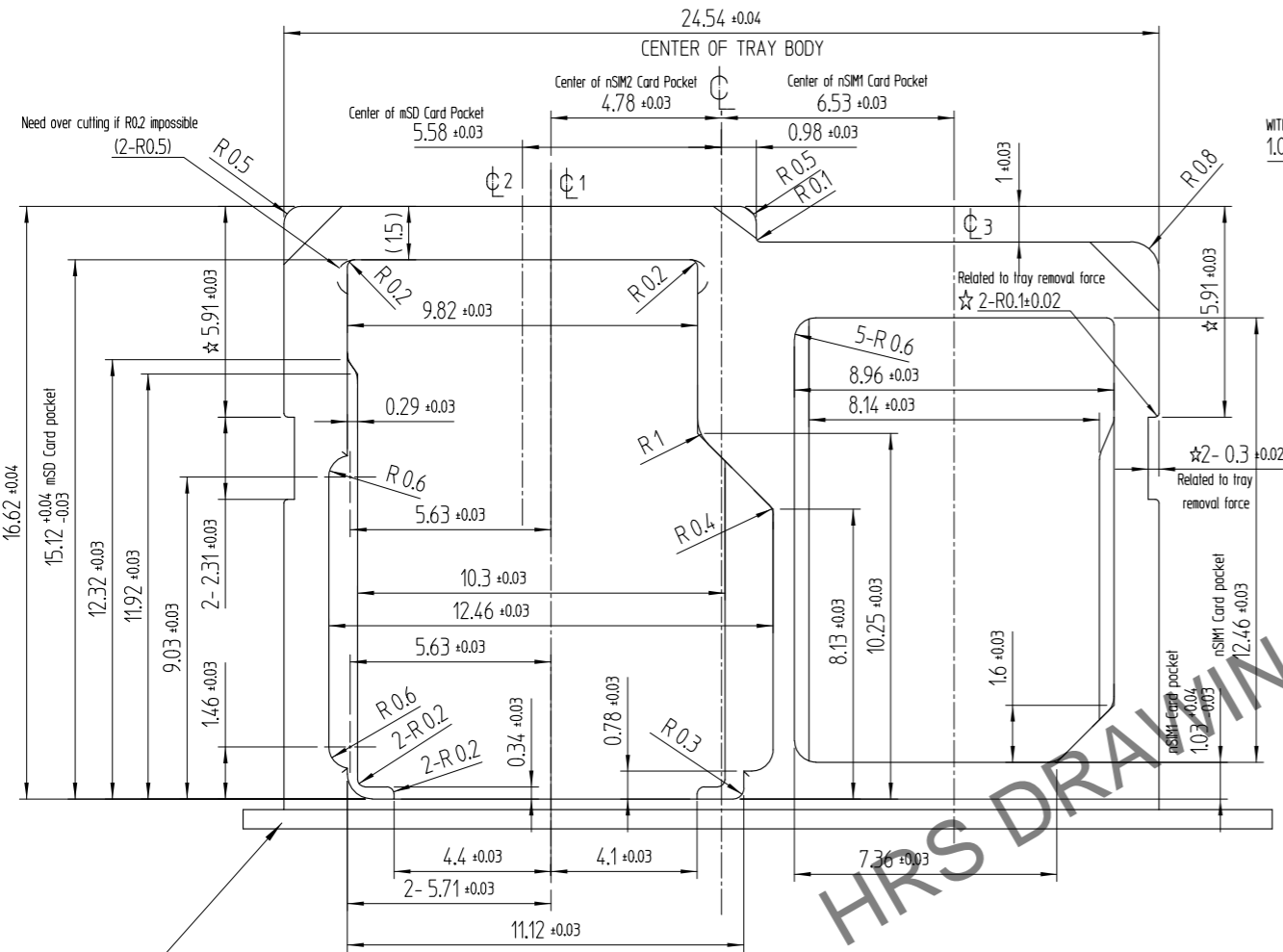
3	(CONNECTOR)	
2	TOP COVER TAPE	POLYESTER
1	EMBOSS CARRIER TAPE	PS
No.	PART	MATERIAL
HRS HIROSE KOREA CO.,LTD.		圖番 DRAWING NO. EDC3-632045

Apr. 1.2025 Copyright 2025 HIROSE ELECTRIC CO., LTD. All Rights Reserved.  
In case of consideration for using Automotive equipment / device which demand high reliability, kindly contact our sales window correspondents.

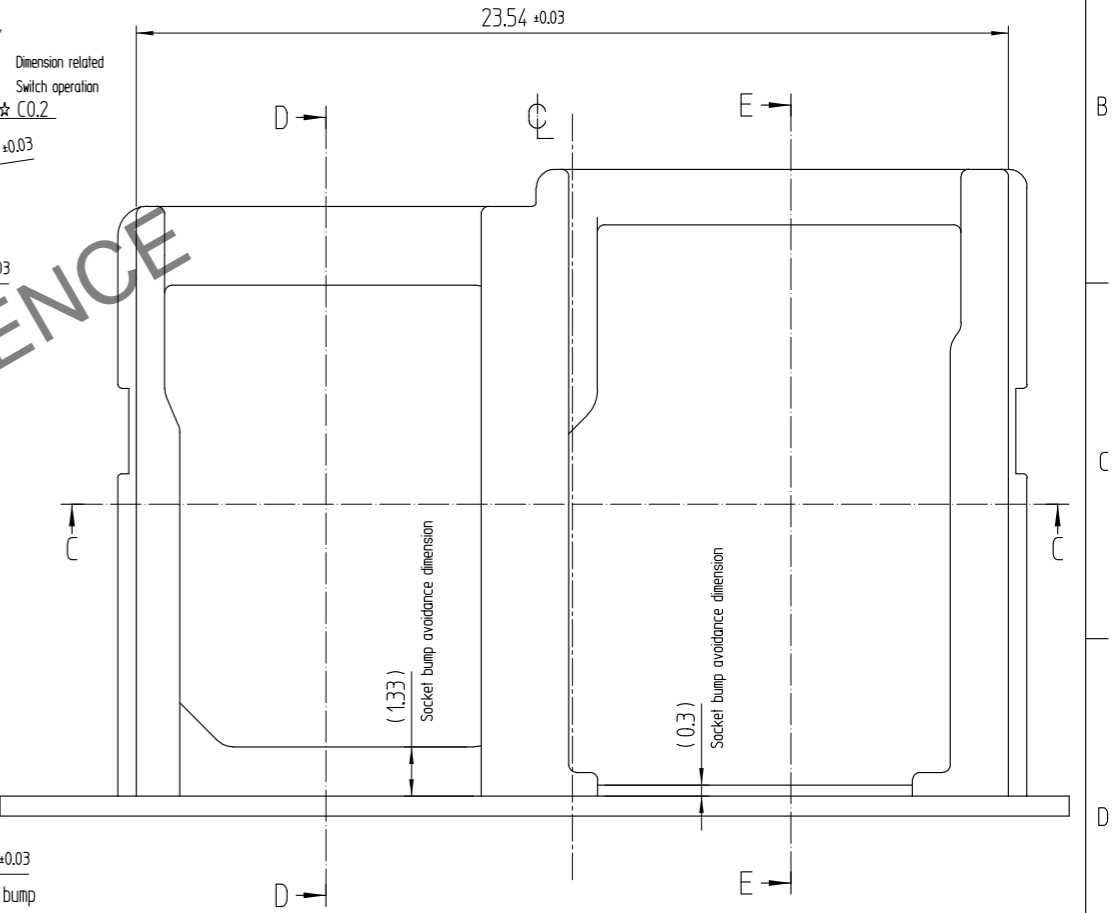
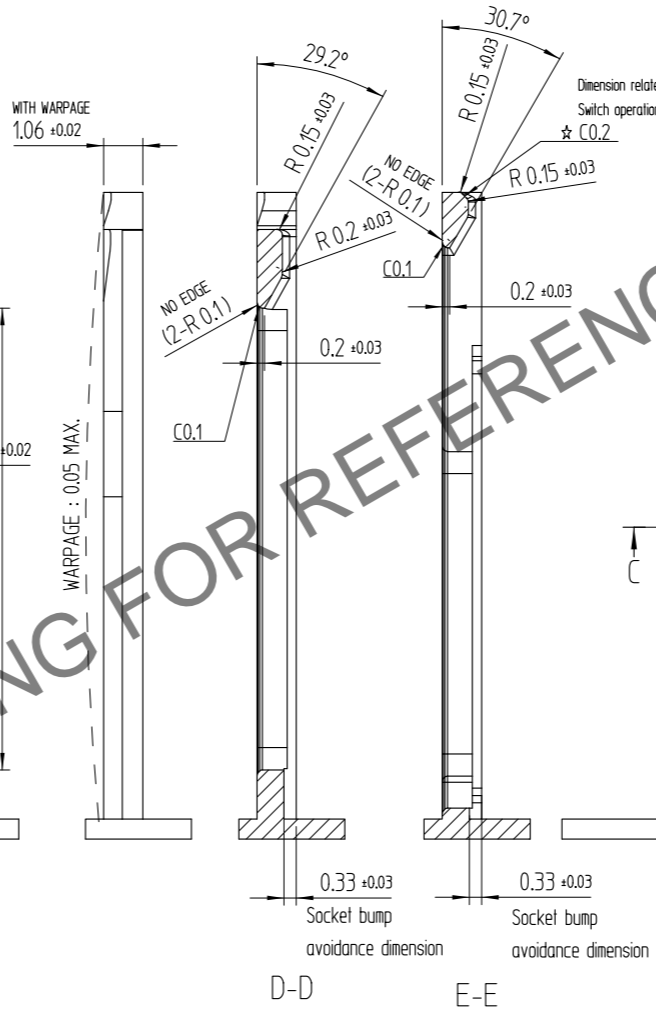
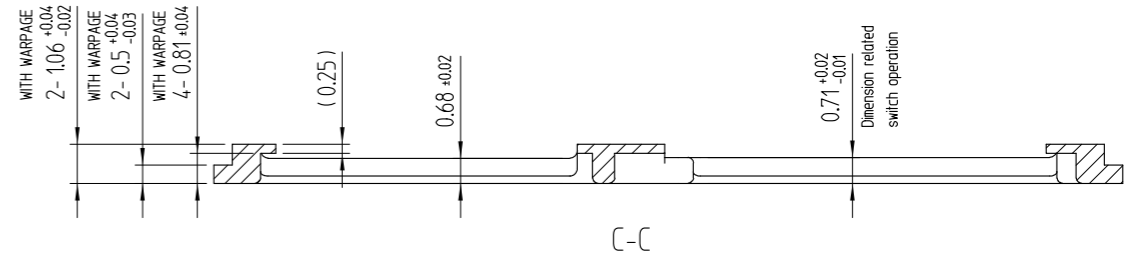
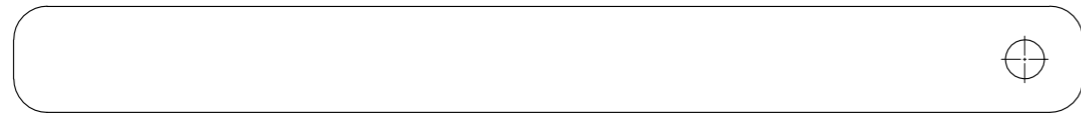
REFERENCE TRAY DRAWING



WARPAGE : 0.05 MAX.



ALL EXPOSED SURFACE OF TRAY ARE NEEDED INSULATION PROCESSING



1	INSULATION TRAY	PLASTIC
No.	PART	MATERIAL
HRS HIROSE KOREA CO.,LTD.		圖番 DRAWING NO.
		EDC3-632045