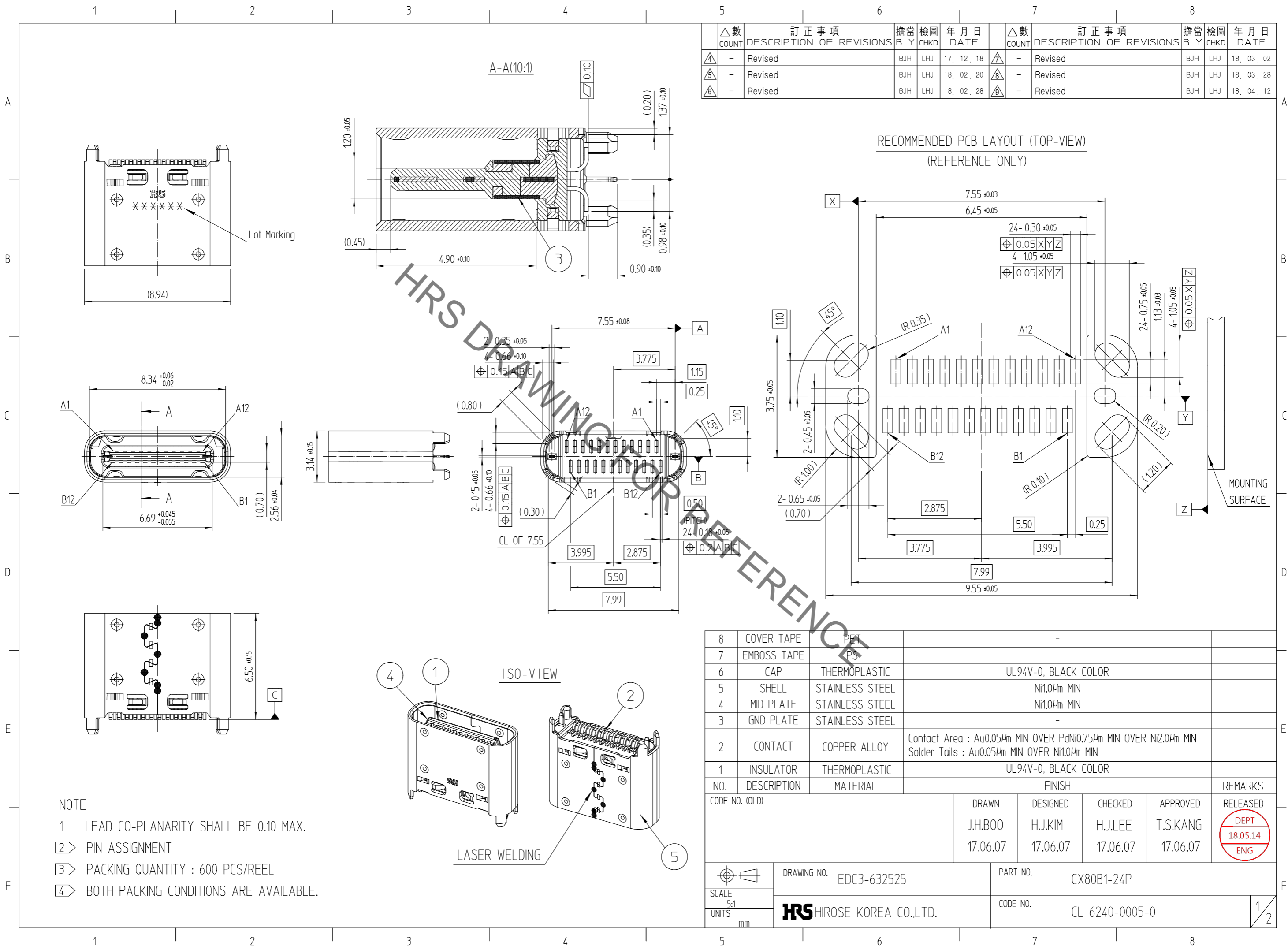
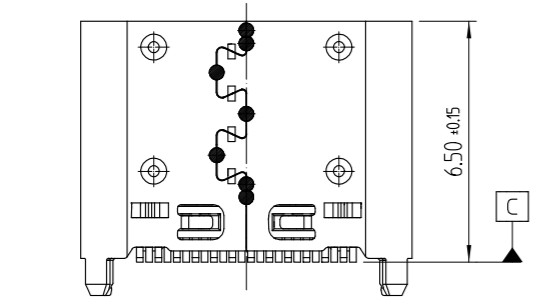
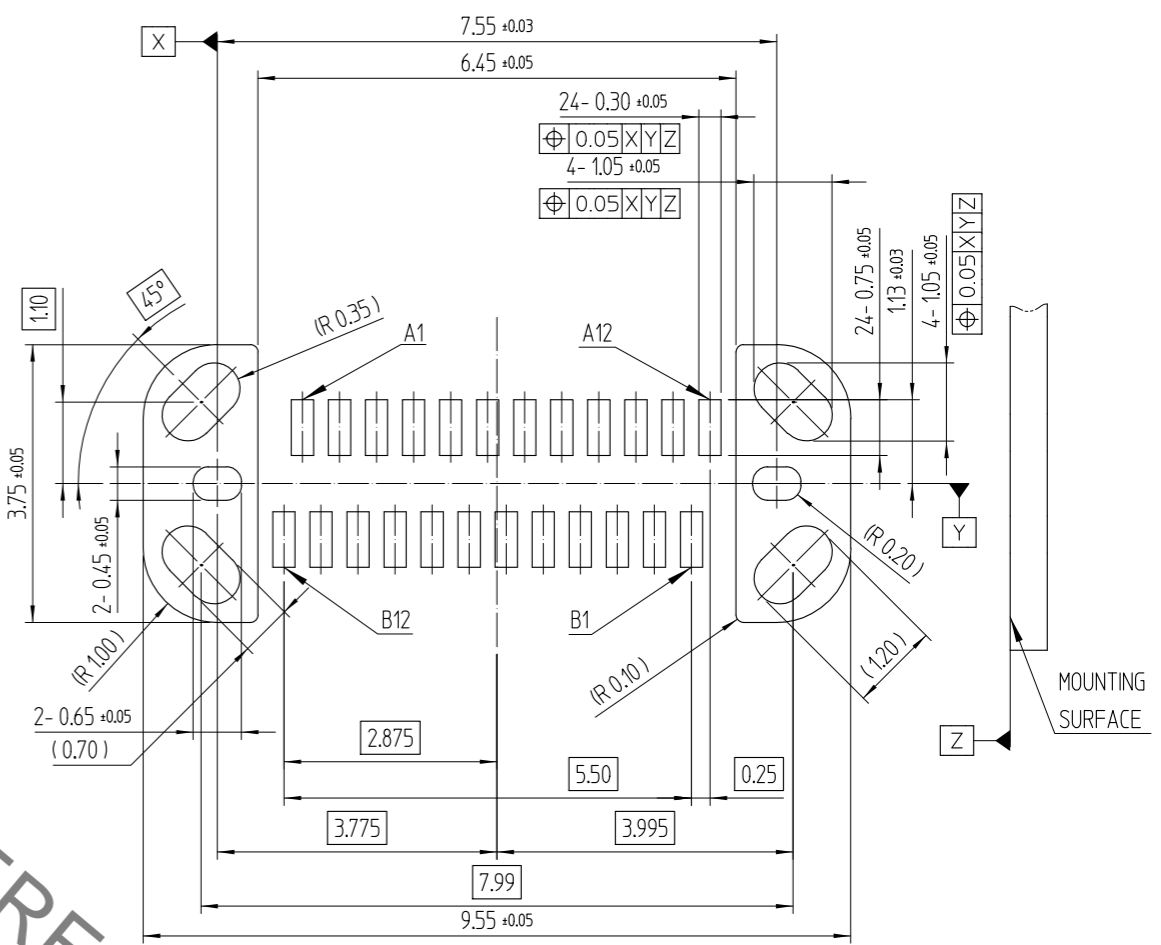
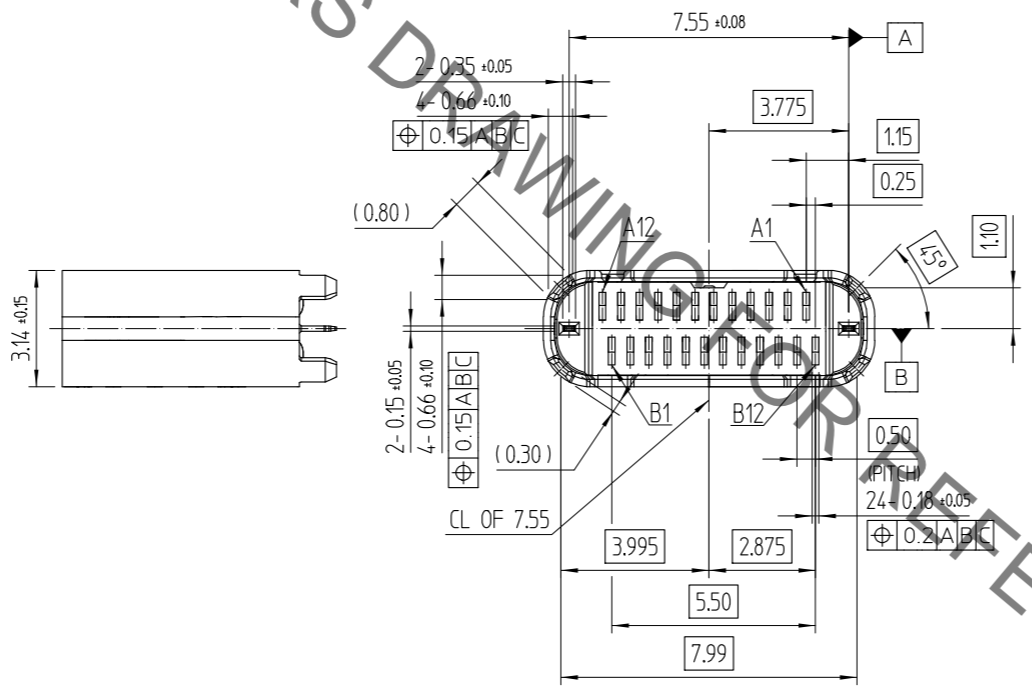
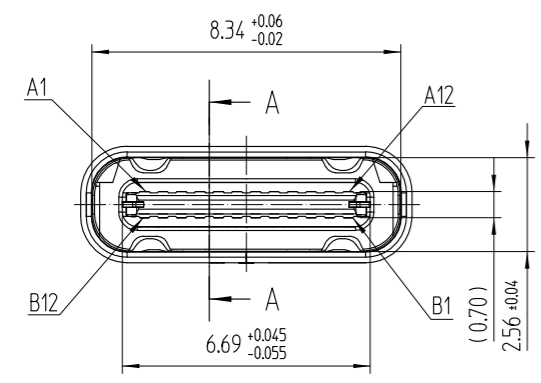
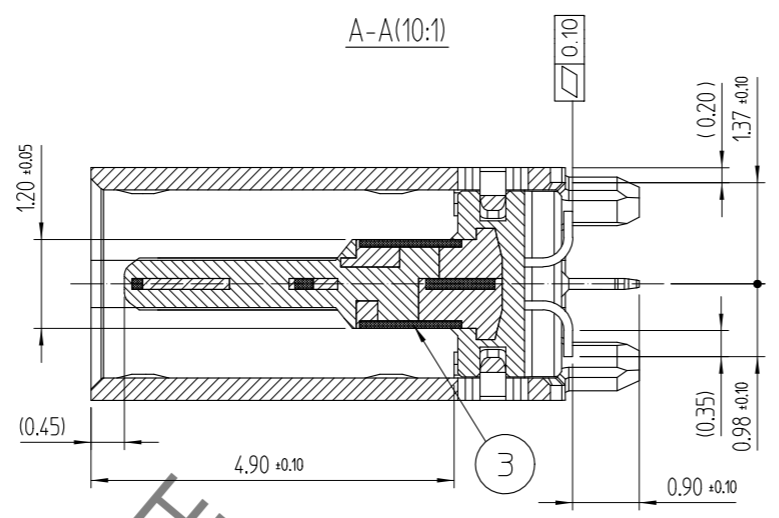
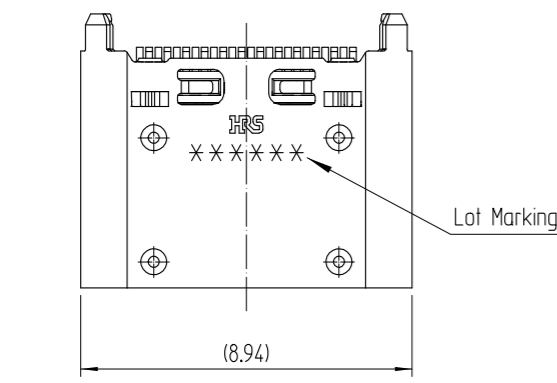


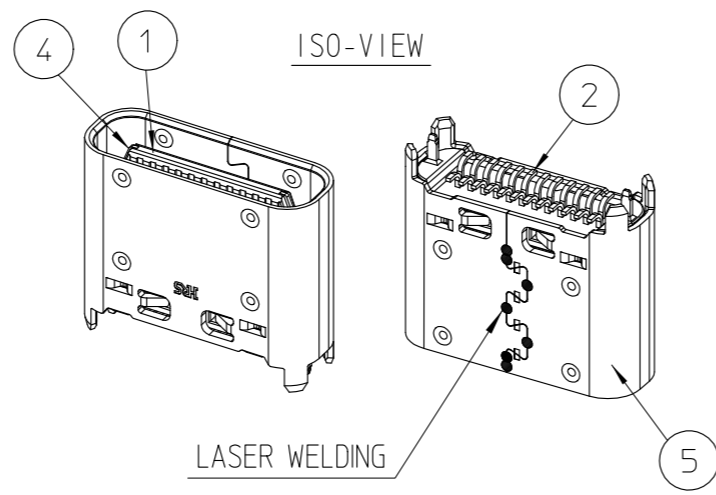
Sep.1.2022 Copyright 2022 HIROSE ELECTRIC CO., LTD. All Rights Reserved.
In case of consideration for using Automotive equipment / device which demand high reliability, kindly contact our sales window correspondents.



△數 COUNT	訂正事項 DESCRIPTION OF REVISIONS	擔當 B	檢圖 CHKD	年月日 DATE	△數 COUNT	訂正事項 DESCRIPTION OF REVISIONS	擔當 B	檢圖 CHKD	年月日 DATE
④	- Revised	BJH	LHJ	17. 12. 18	⑦	- Revised	BJH	LHJ	18. 03. 02
⑤	- Revised	BJH	LHJ	18. 02. 20	⑧	- Revised	BJH	LHJ	18. 03. 28
⑥	- Revised	BJH	LHJ	18. 02. 28	⑨	- Revised	BJH	LHJ	18. 04. 12



- NOTE
- 1 LEAD CO-PLANARITY SHALL BE 0.10 MAX.
 - ② PIN ASSIGNMENT
 - ③ PACKING QUANTITY : 600 PCS/REEL
 - ④ BOTH PACKING CONDITIONS ARE AVAILABLE.



NO.	DESCRIPTION	MATERIAL	FINISH	REMARKS
8	COVER TAPE	PET	-	
7	EMBOSS TAPE	PS	-	
6	CAP	THERMOPLASTIC	UL94V-0, BLACK COLOR	
5	SHELL	STAINLESS STEEL	Ni1.0μm MIN	
4	MID PLATE	STAINLESS STEEL	Ni1.0μm MIN	
3	GND PLATE	STAINLESS STEEL	-	
2	CONTACT	COPPER ALLOY	Contact Area : Au0.05μm MIN OVER PdNi0.75μm MIN OVER Ni2.0μm MIN Solder Tails : Au0.05μm MIN OVER Ni1.0μm MIN	
1	INSULATOR	THERMOPLASTIC	UL94V-0, BLACK COLOR	

CODE NO. (OLD)	DRAWN	DESIGNED	CHECKED	APPROVED	RELEASED
	J.H.BOO	H.J.KIM	H.J.LEE	T.S.KANG	DEPT 18.05.14 ENG
	17.06.07	17.06.07	17.06.07	17.06.07	

DRAWING NO.	EDC3-632525	PART NO.	CX80B1-24P
SCALE	5:1	CODE NO.	CL 6240-0005-0
UNITS	mm		

