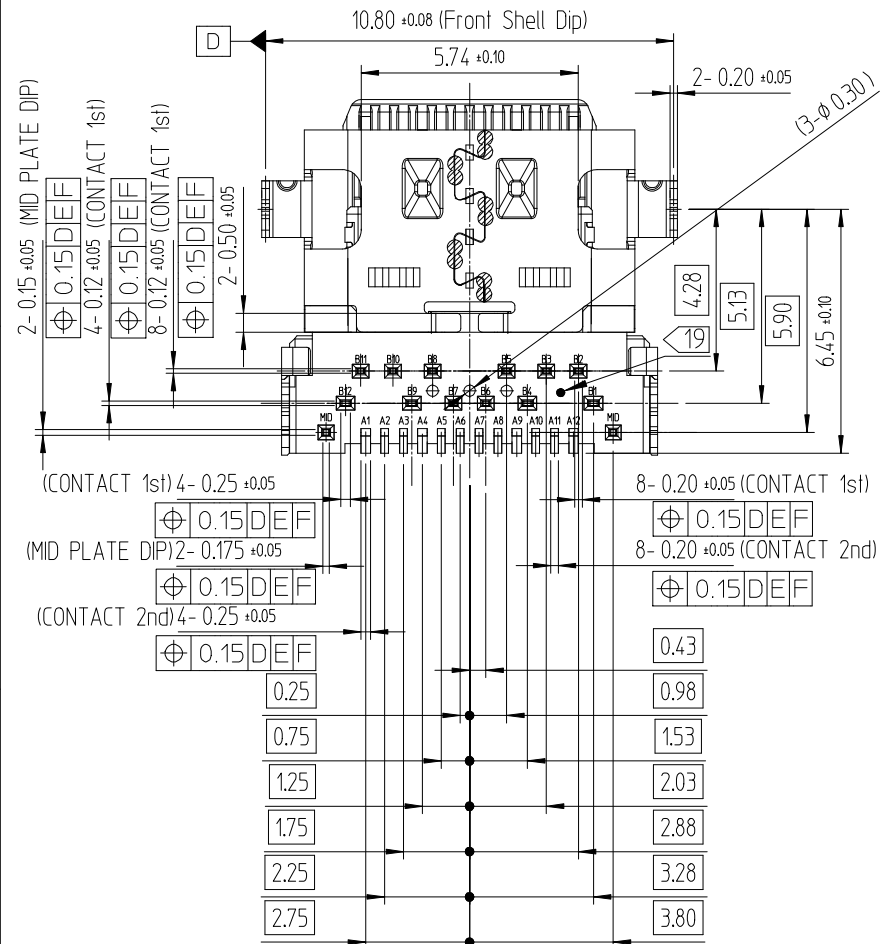
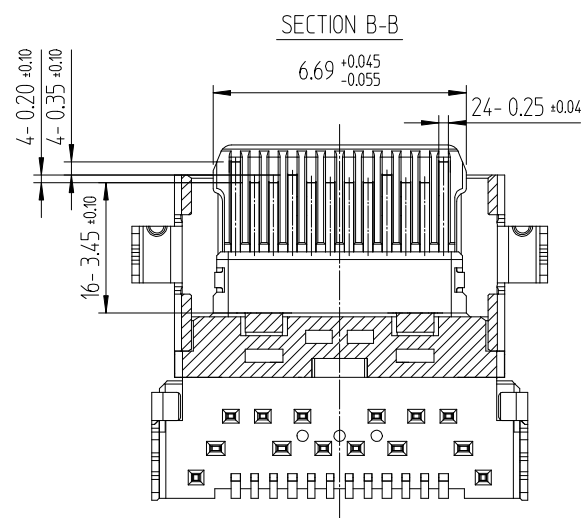
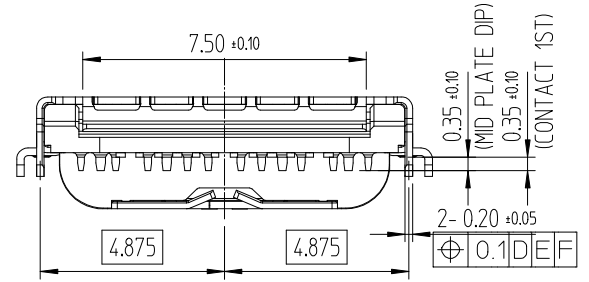
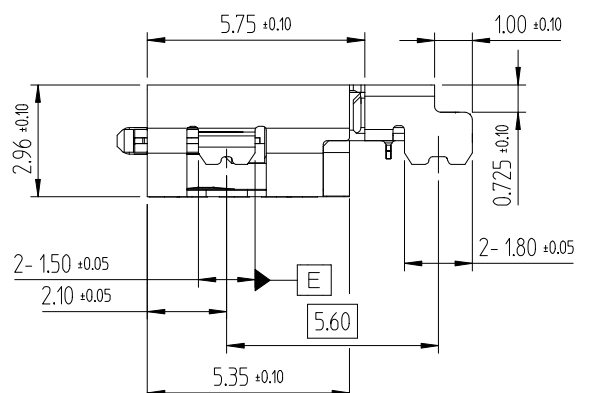
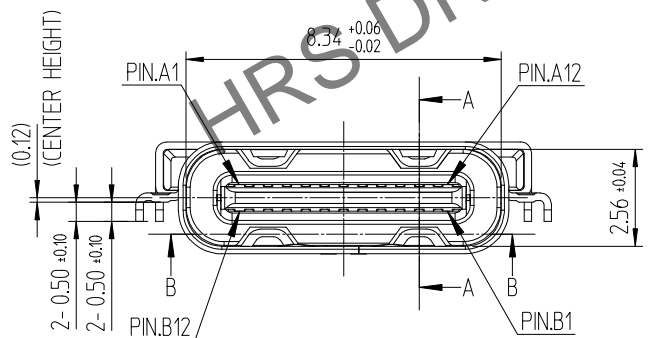
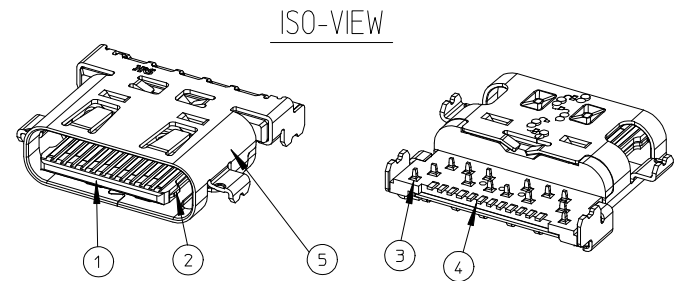
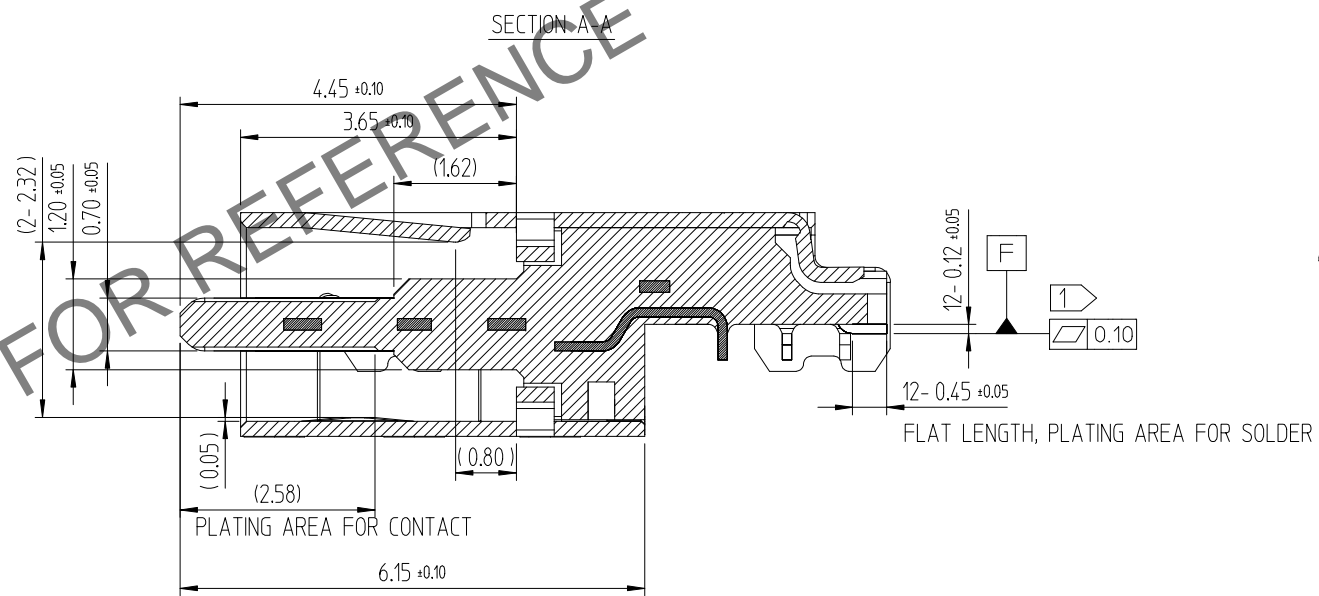
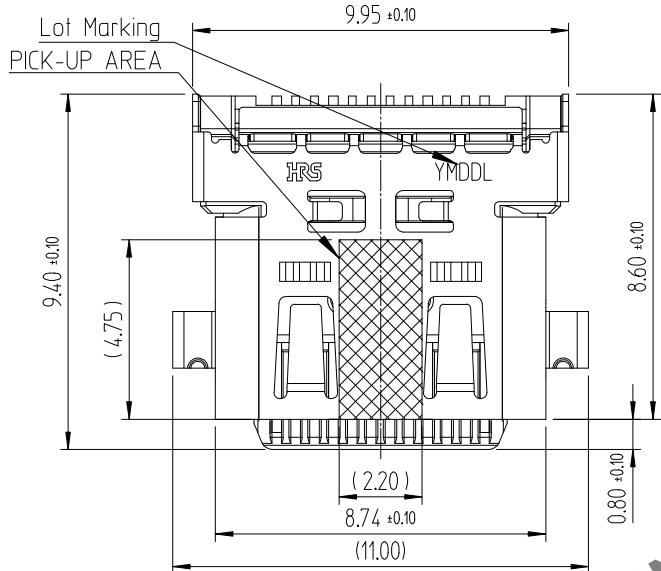
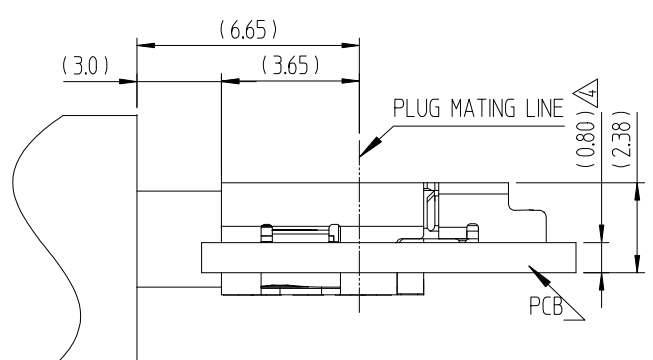


Sep.1.2024 Copyright 2024 HIROSE ELECTRIC CO., LTD. All Rights Reserved.
In case of consideration for using Automotive equipment / device which demand high reliability, kindly contact our sales window

改正 REV.	變更履歷 NO. ECA NO.	訂正事項 DESCRIPTION OF REVISIONS	擔當 B	檢圖 Y	年月日 DATE	改正 REV.	變更履歷 NO. ECA NO.	訂正事項 DESCRIPTION OF REVISIONS	擔當 B	檢圖 Y	年月日 DATE
△	-	RE-2-1450	OCH	LHJ	20.04.06	△	2	RE-2-2141	KYJ	LHJ	23.02.08
△	-	Revised	KYJ	LHJ	22.03.07	△	2	RE-2-2429	CJS	LHJ	23.10.13
△	-	RE-2-1965	KYJ	LHJ	22.09.01	△					



PCB MOUNTING POSITION



- NOTE
- ① LEAD CO-PLANARITY SHALL BE 0.10 MAX.
 - ② PIN ASSIGNMENT
 - ③ PACKING QUANTITY : 1,400 PCS/REEL
 - 4. UNSPECIFIED TOLERANCE : ±0.2

② PIN ASSIGNMENT (FRONT-VIEW)

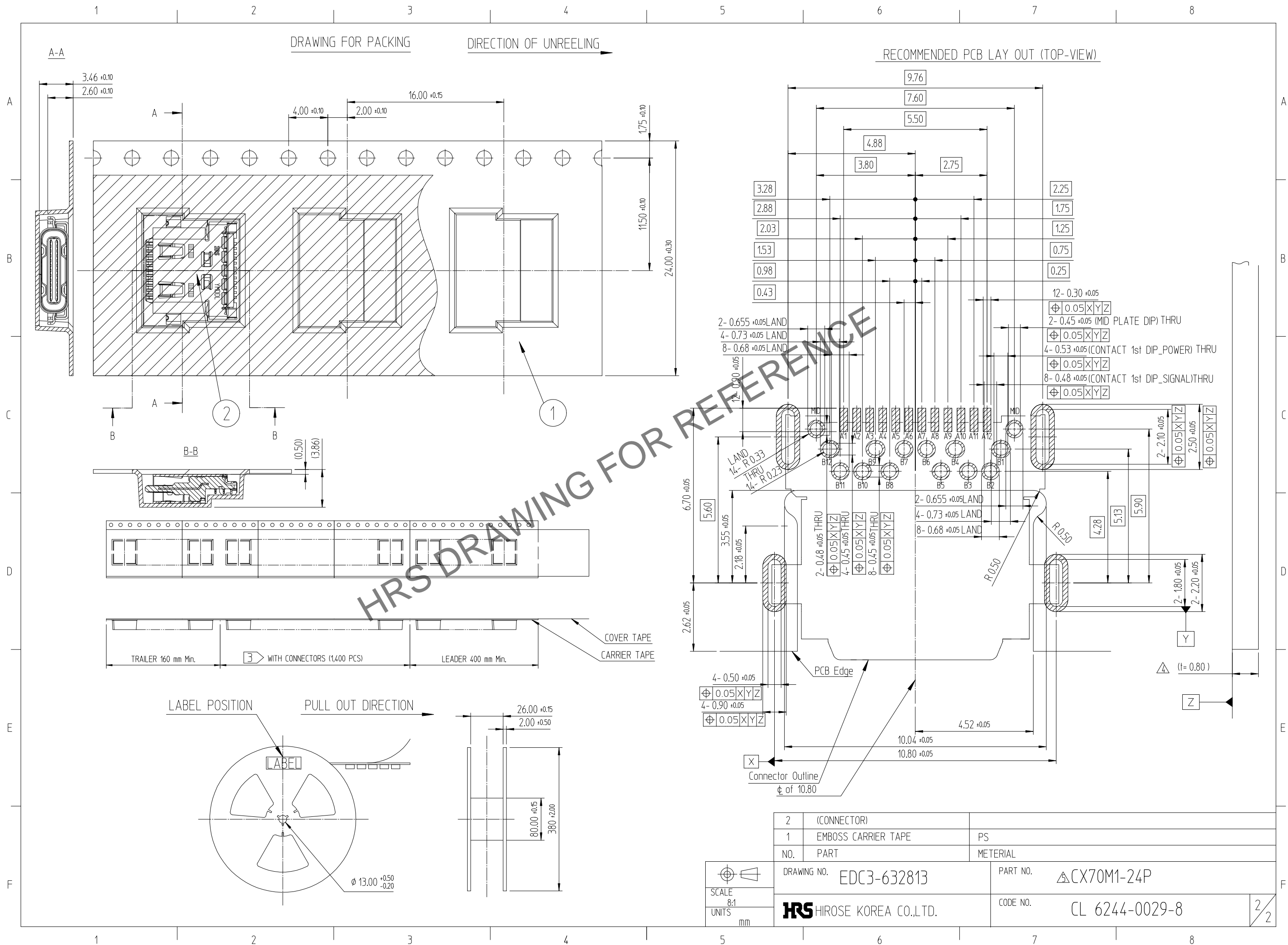
A1	A2	A3	A4	A5	A6	A7	A8	A9	A10	A11	A12
GND	TX1+	TX1-	V _{bus}	CC1	D+	D-	SBU1	V _{bus}	RX2-	RX2+	GND
GND	RX1+	RX1-	V _{bus}	SBU2	D-	D+	CC2	V _{bus}	TX2-	TX2+	GND
B12	B11	B10	B9	B8	B7	B6	B5	B4	B3	B2	B1

5	MAIN SHELL	STAINLESS STEEL	Nickel plated
4	CONTACT 2nd	CORSON ALLOY	CONTACT : Gold over Nickel plated
3	CONTACT 1ST	CORSON ALLOY	LEAD AREA : Gold over Nickel plated
2	MID PLATE	STAINLESS STEEL	Nickel plated
1	INSERT MOLD	THERMAL PLASTIC	Black Color
NO.	PART NAME	MATERIAL	REMARKS

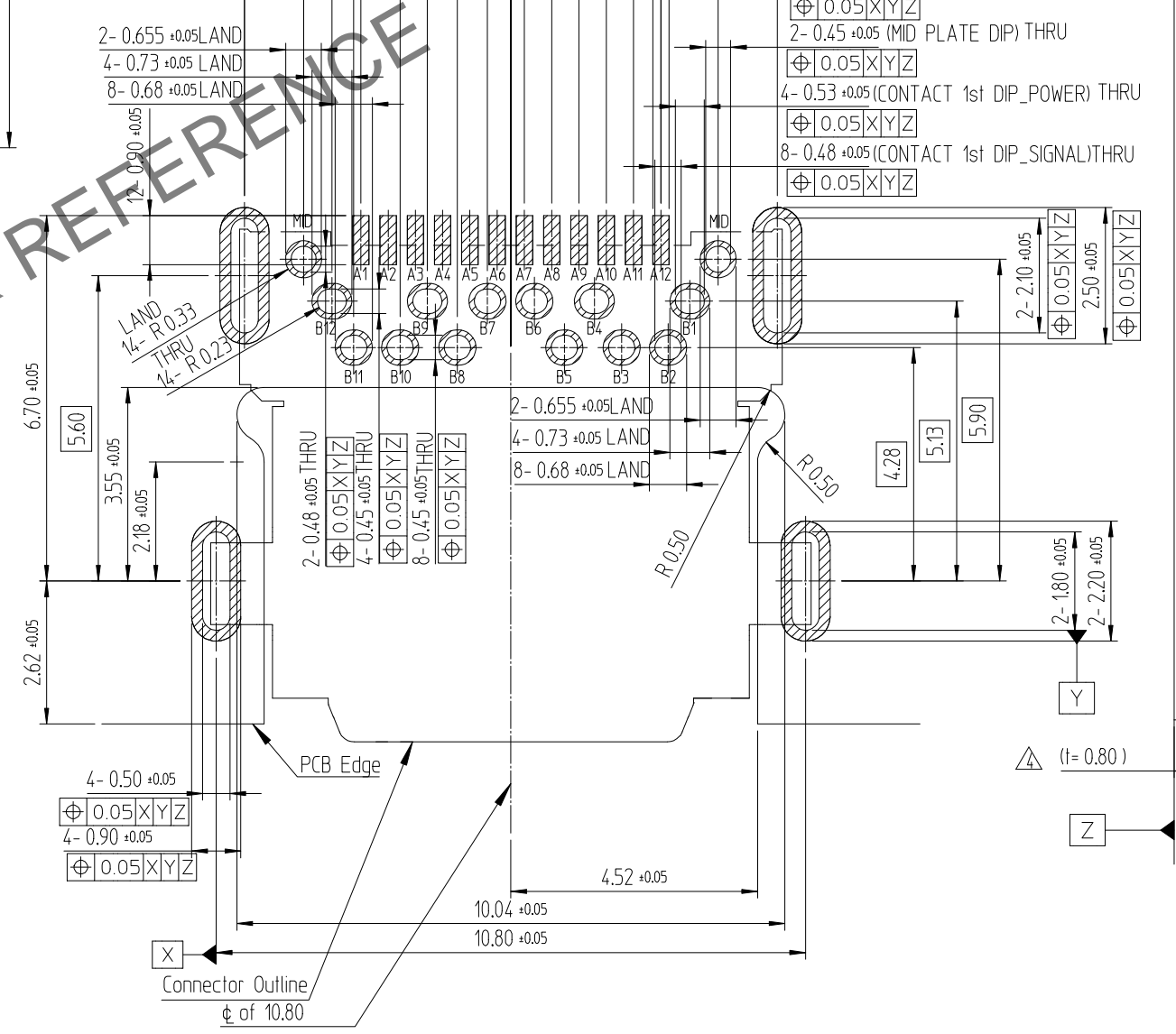
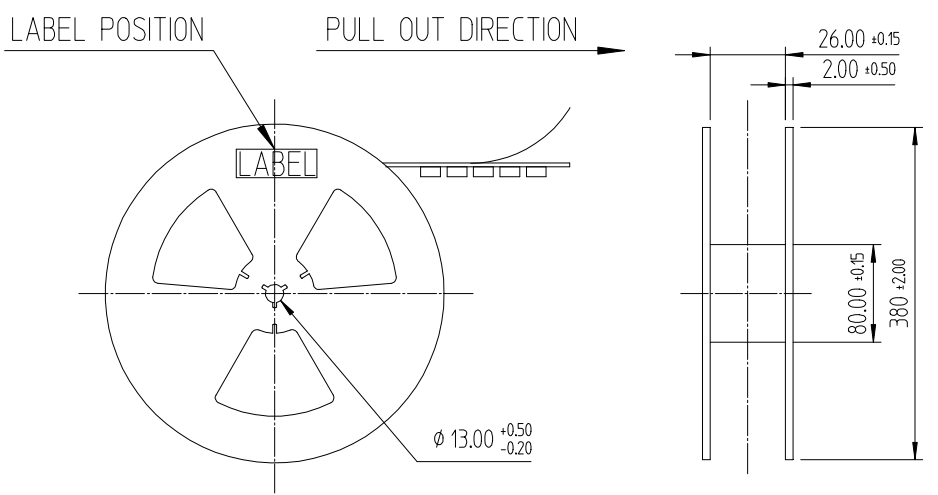
CODE NO.	DRAWN	DESIGNED	CHECKED	APPROVED	RELEASED
	C.H.OH	C.H.OH	H.J.LEE	H.J.LEE	DEPT 23.10.13 ENG
	19.11.20	19.11.20	19.11.20	19.11.20	

SCALE	DRAWING NO.	PART NO.	CODE NO.
5:1	EDC3-632813	△CX70M1-24P	CL 6240-0029-8
UNITS	HRS HIROSE KOREA CO.,LTD.		
mm			1/2

Sep.1.2024 Copyright 2024 HIROSE ELECTRIC CO., LTD. All Rights Reserved.
 In case of consideration for using Automotive equipment / device which demand high reliability, kindly contact our sales window correspondents.



TRAILER 160 mm Min. WITH CONNECTORS (1,400 PCS) LEADER 400 mm Min. COVER TAPE CARRIER TAPE



2	(CONNECTOR)	
1	EMBOSS CARRIER TAPE	PS
NO.	PART	METERIAL
DRAWING NO. EDC3-632813		PART NO. CX70M1-24P
HRS HIROSE KOREA CO.,LTD.		CODE NO. CL 6244-0029-8

SCALE 8:1
UNITS mm