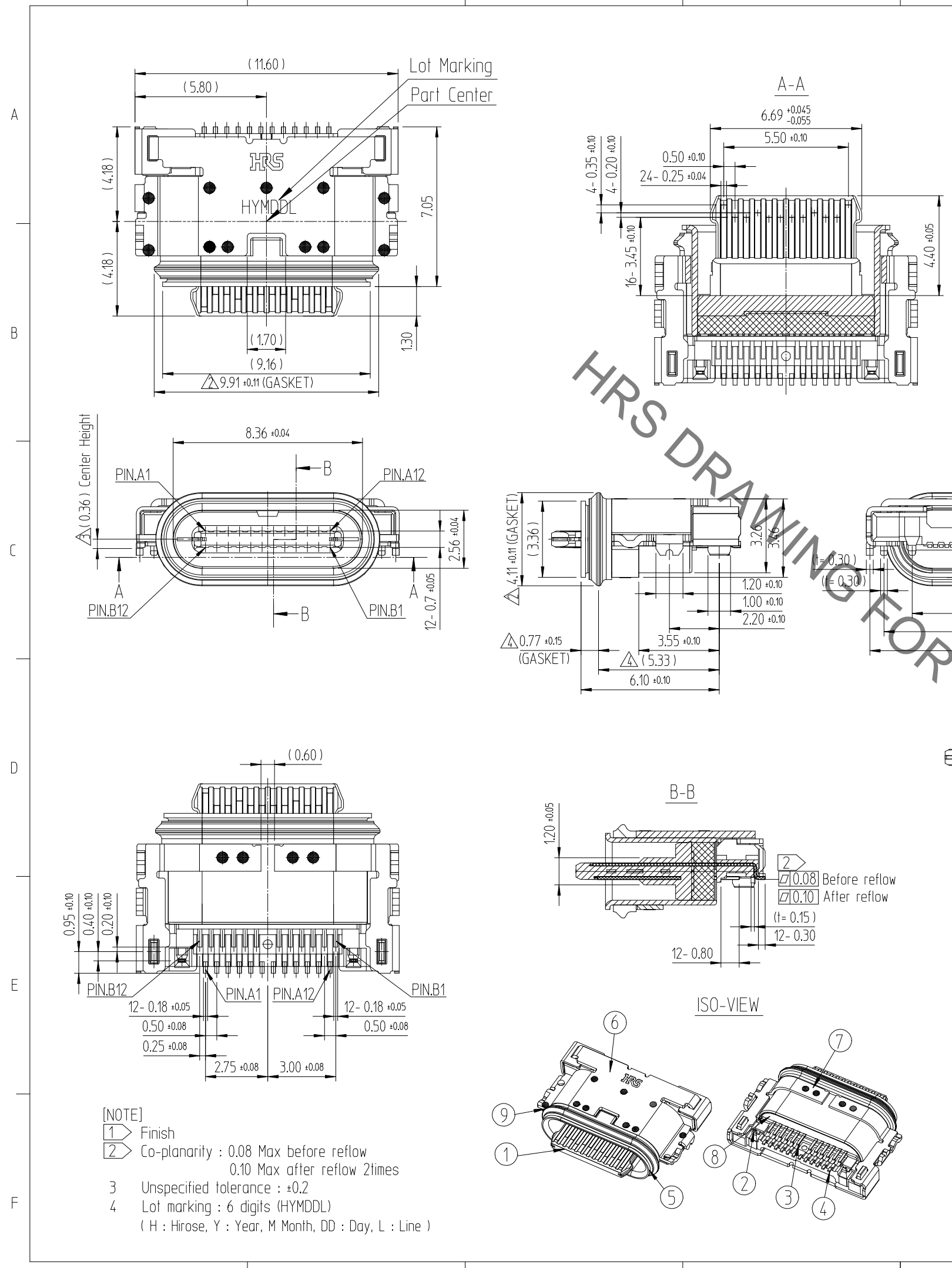
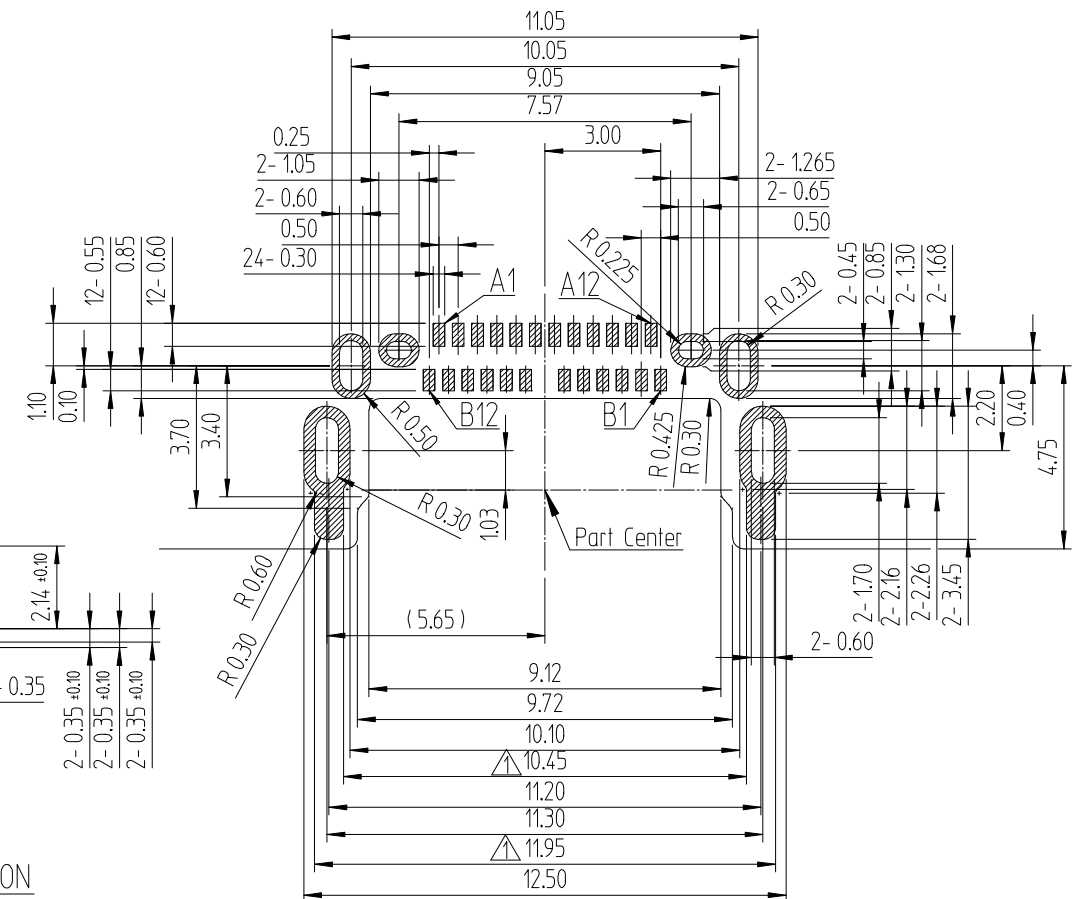


Sep.1.2022 Copyright 2022 HIROSE ELECTRIC CO., LTD. All Rights Reserved.
In case of consideration for using Automotive equipment / device which demand high reliability, kindly contact our sales window correspondents.



訂正事項				訂正事項						
△數	DESCRIPTION OF REVISIONS	擔當	檢圖	年月日	△數	DESCRIPTION OF REVISIONS	擔當	檢圖	年月日	
COUNT		B	Y	CHKD	DATE		B	Y	CHKD	DATE
2	Revised Drawing	PYB	LHJ	19. 11. 13	2	Revised Drawing	LSH	LHJ	20. 03. 03	
7	Revised Drawing	LSH	LHJ	20. 01. 31						
1	Revised Drawing	LSH	LHJ	20. 02. 17						

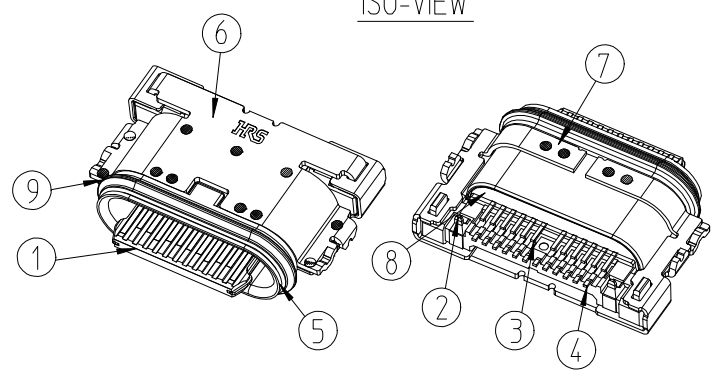
RECOMMENDED PCB LAY OUT(TOP-VIEW)
(GENERAL TOLERANCE±0.05)



NO.	DESCRIPTIONS	MATERIAL	FINISH	REMARKS
9	Gasket	Silicone	Gray color	-
8	Potting	Silicone	Black color	-
7	Bottom shell	Stainless steel	Ni1.0μm Min.	-
6	Top shell	Stainless steel	Ni1.0μm Min.	-
5	Inner shell	Stainless steel	Cleansing	-
4	Contact 2nd	Copper alloy	Contact Area : Au0.05μm Min. over Pd-Ni0.75μm Min. over Ni2.0μm Min. Solder Tails : Au0.05μm Min. over Ni2.0μm Min.	-
3	Contact 1st			-
2	Mid plate	Stainless steel	Ni1.0μm Min.	-
1	Housing	Thermoplastic	Black color	-

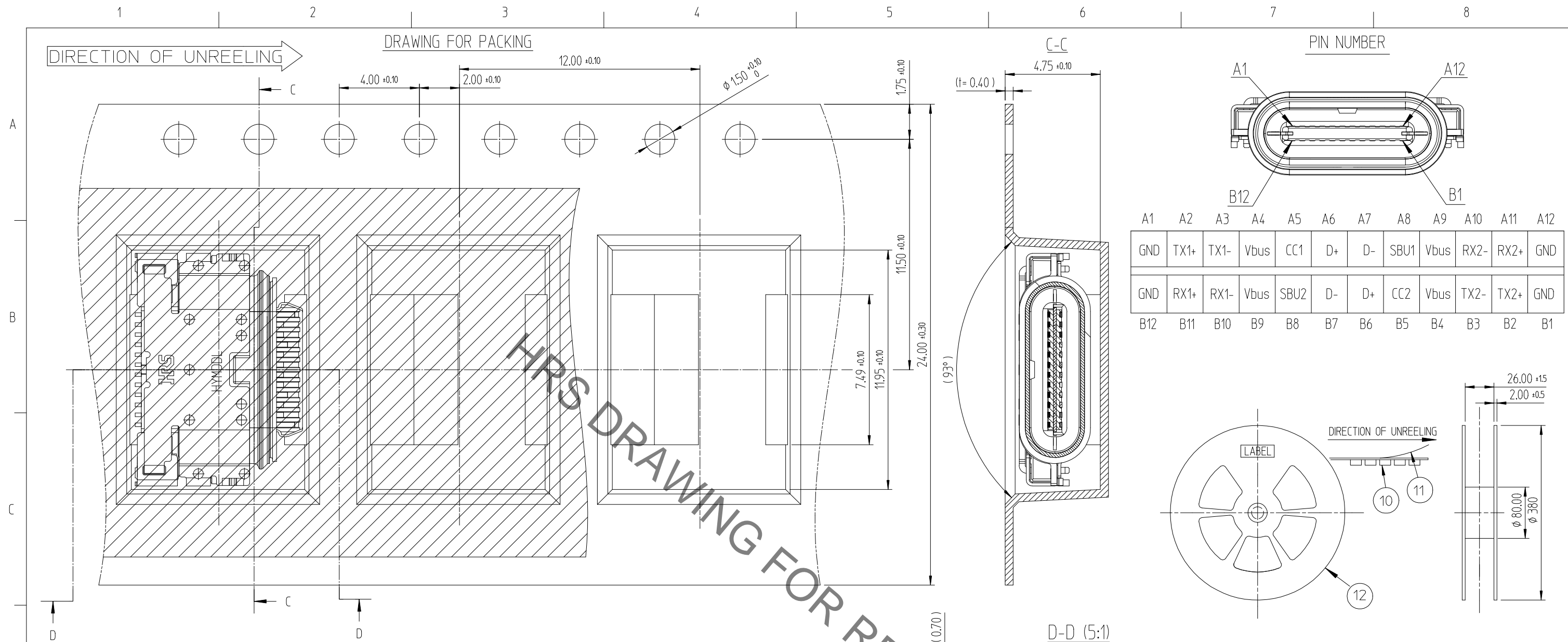
CODE NO. (OLD)	DRAWN	DESIGNED	CHECKED	APPROVED	RELEASED
	Y.B.PARK	Y.B.PARK	H.J.LEE	H.J.LEE	ENG 20.03.03 DEPT

SCALE	DRAWING NO.	PART NO.
5:1	EDC3-632671	CX90MWD2G-24P
UNITS	CODE NO.	
mm	CL 6240-0022-9	1/2



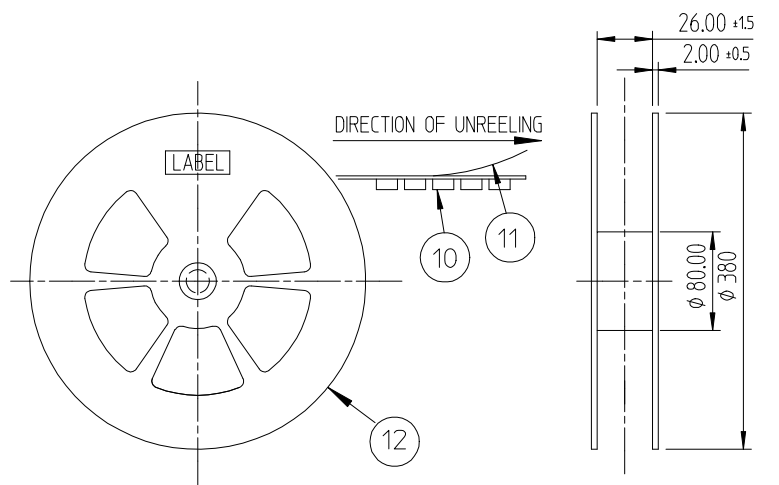
[NOTE]
 1 Finish
 2 Co-planarity : 0.08 Max before reflow
 0.10 Max after reflow 2times
 3 Unspecified tolerance : ±0.2
 4 Lot marking : 6 digits (HYMDDL)
 (H : Hirose, Y : Year, M Month, DD : Day, L : Line)

Sep.1.2022 Copyright 2022 HIROSE ELECTRIC CO., LTD. All Rights Reserved.
In case of consideration for using Automotive equipment / device which demand high reliability, kindly contact our sales window correspondents.

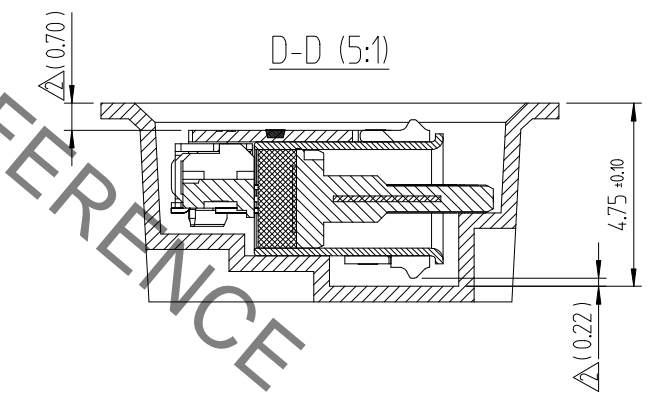
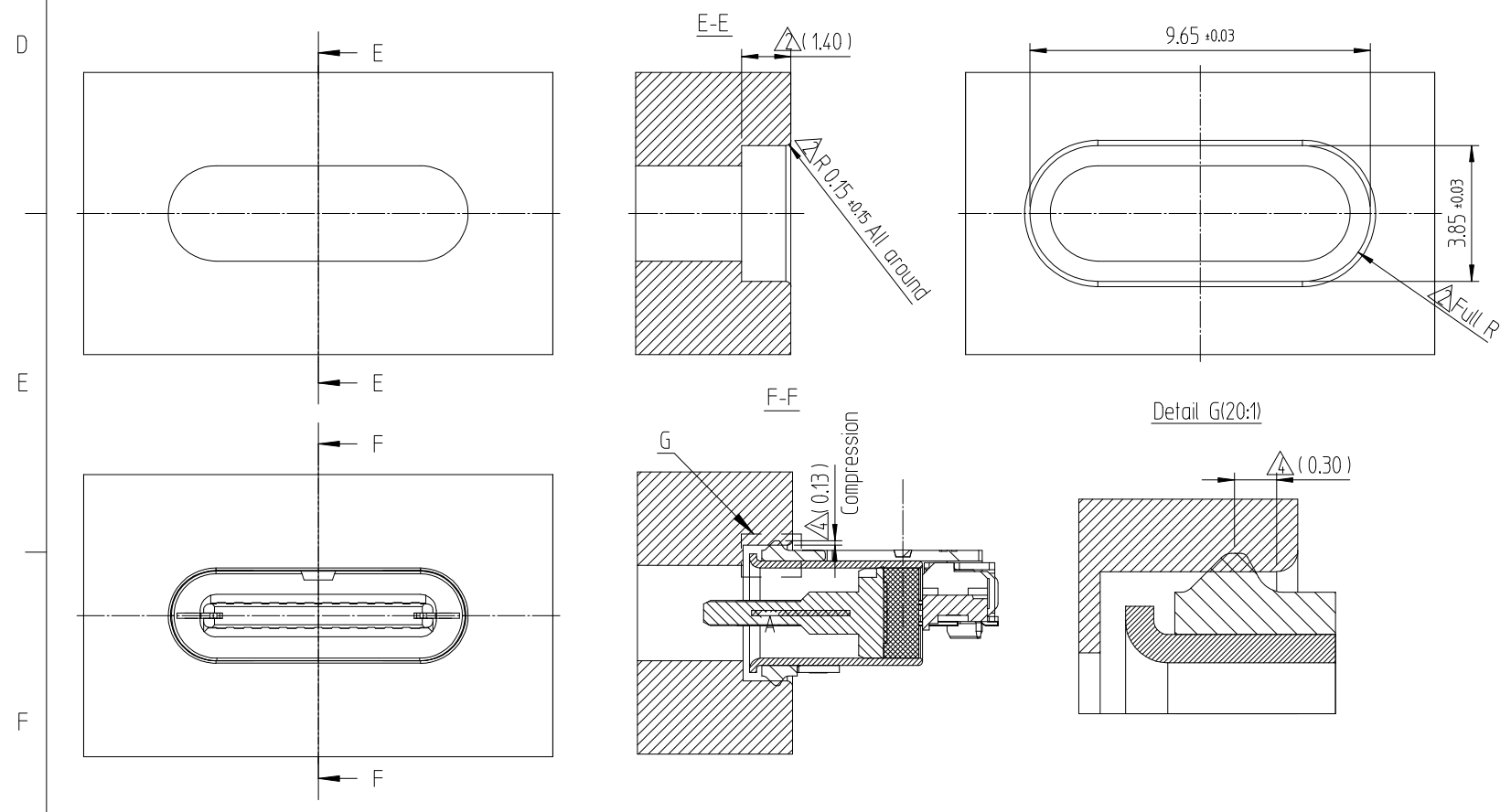


PIN NUMBER

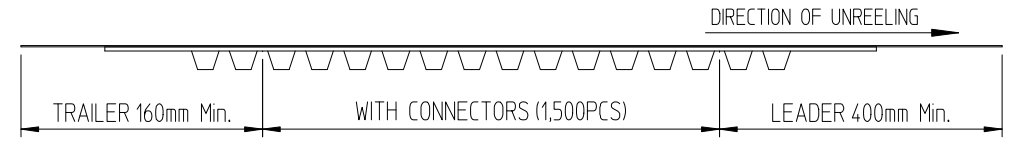
A1	A2	A3	A4	A5	A6	A7	A8	A9	A10	A11	A12
GND	TX1+	TX1-	Vbus	CC1	D+	D-	SBU1	Vbus	RX2-	RX2+	GND
GND	RX1+	RX1-	Vbus	SBU2	D-	D+	CC2	Vbus	TX2-	TX2+	GND
B12	B11	B10	B9	B8	B7	B6	B5	B4	B3	B2	B1



Reference Device Dimensions



[Note]
5. Carrier tape packing



6. Peeling force : 10~132 gf @ 300mm/min
7. Packing quantity
- 1,500EA / REEL

12	Reel bobbin	PS	-	-
11	Cover tape	PET	-	-
10	Emboss tape	PS	Thermo-Compression Sealing	-
NO.	DESCRIPTIONS	MATERIAL	FINISH	REMARKS
	DRAWING NO.	EDC3-632671	PART NO.	CX90MWD2G-24P
SCALE	5:1		CODE NO	CL 6240-0022-9
UNITS	mm			2/2
	HRS HIROSE KOREA CO.,LTD.			