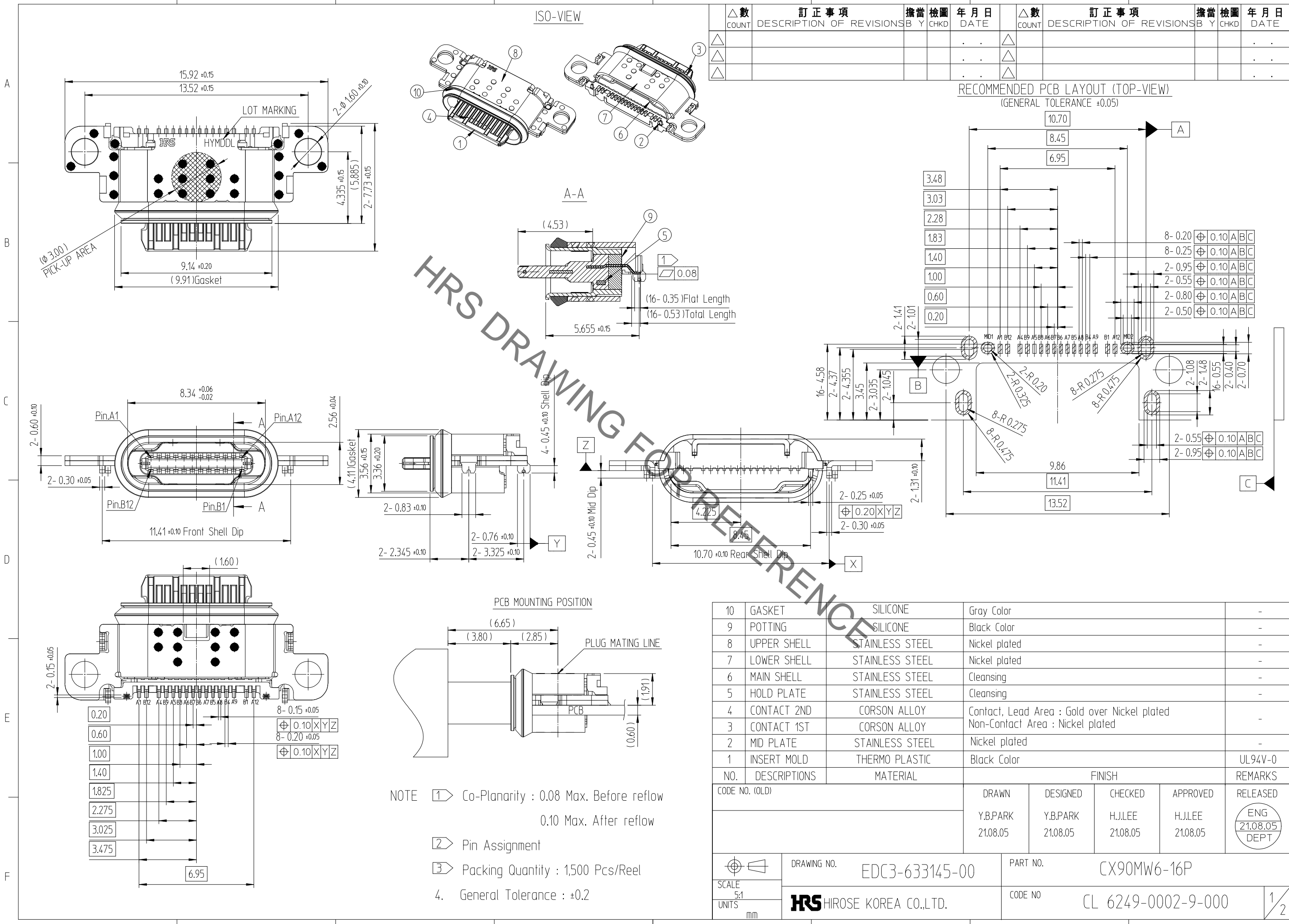


May.1.2022 Copyright 2022 HIROSE ELECTRIC CO., LTD. All Rights Reserved.
In case of consideration for using Automotive equipment / device which demand high reliability, kindly contact our sales window correspondents.



△數 COUNT	訂正事項 DESCRIPTION OF REVISIONS	擔當 BY	檢圖 CHKD	年月日 DATE	△數 COUNT	訂正事項 DESCRIPTION OF REVISIONS	擔當 BY	檢圖 CHKD	年月日 DATE
△					△				
△					△				
△					△				

RECOMMENDED PCB LAYOUT (TOP-VIEW)
(GENERAL TOLERANCE ±0.05)

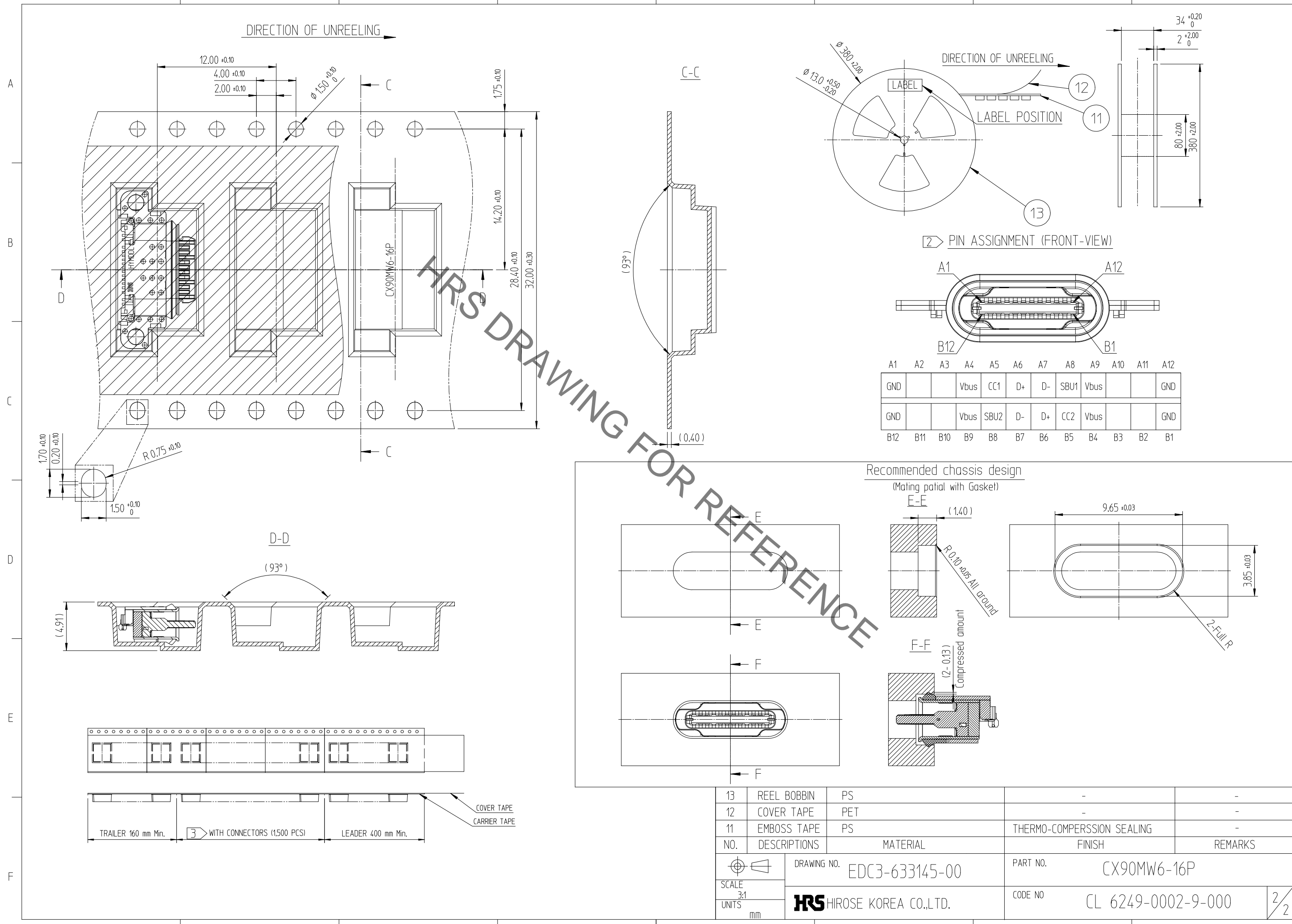
NO.	DESCRIPTIONS	MATERIAL	FINISH	REMARKS
10	GASKET	SILICONE	Gray Color	-
9	POTTING	SILICONE	Black Color	-
8	UPPER SHELL	STAINLESS STEEL	Nickel plated	-
7	LOWER SHELL	STAINLESS STEEL	Nickel plated	-
6	MAIN SHELL	STAINLESS STEEL	Cleansing	-
5	HOLD PLATE	STAINLESS STEEL	Cleansing	-
4	CONTACT 2ND	CORSON ALLOY	Contact, Lead Area : Gold over Nickel plated	-
3	CONTACT 1ST	CORSON ALLOY	Non-Contact Area : Nickel plated	-
2	MID PLATE	STAINLESS STEEL	Nickel plated	-
1	INSERT MOLD	THERMO PLASTIC	Black Color	UL94V-0

CODE NO. (OLD)	DRAWN	DESIGNED	CHECKED	APPROVED	RELEASED
	Y.B.PARK 21.08.05	Y.B.PARK 21.08.05	H.J.LEE 21.08.05	H.J.LEE 21.08.05	ENG 21.08.05 DEPT

SCALE 5:1	DRAWING NO. EDC3-633145-00	PART NO. CX90MW6-16P
UNITS mm	HRS HIROSE KOREA CO.,LTD.	CODE NO. CL 6249-0002-9-000

- NOTE
- ① Co-Planarity : 0.08 Max. Before reflow
0.10 Max. After reflow
 - ② Pin Assignment
 - ③ Packing Quantity : 1,500 Pcs/Reel
 - 4. General Tolerance : ±0.2

May.1.2022 Copyright 2022 HIROSE ELECTRIC CO., LTD. All Rights Reserved.
In case of consideration for using Automotive equipment / device which demand high reliability, kindly contact our sales window correspondents.



13	REEL BOBBIN	PS	-	-
12	COVER TAPE	PET	-	-
11	EMBOSS TAPE	PS	THERMO-COMPERSSION SEALING	-
NO.	DESCRIPTIONS	MATERIAL	FINISH	REMARKS
DRAWING NO. EDC3-633145-00		PART NO. CX90MW6-16P		
SCALE 3:1	UNITS mm		CODE NO. CL 6249-0002-9-000	2/2
HIROSE KOREA CO.,LTD.				