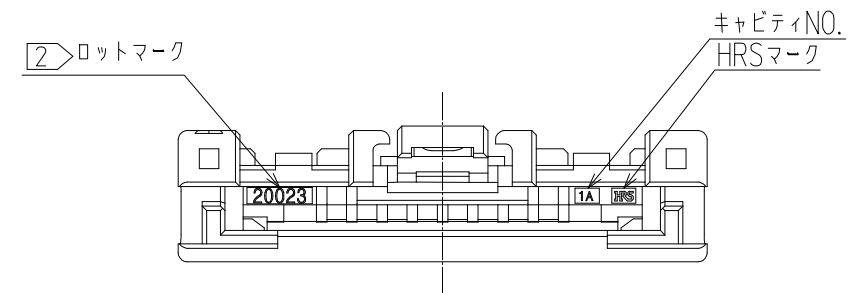
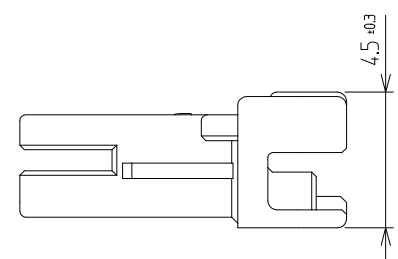
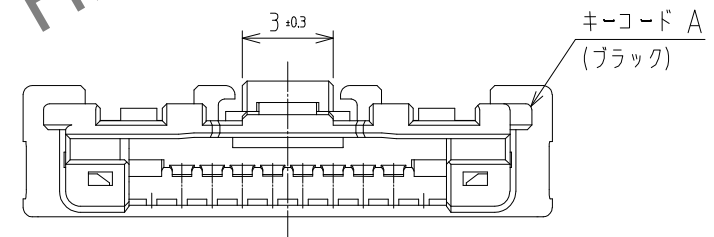
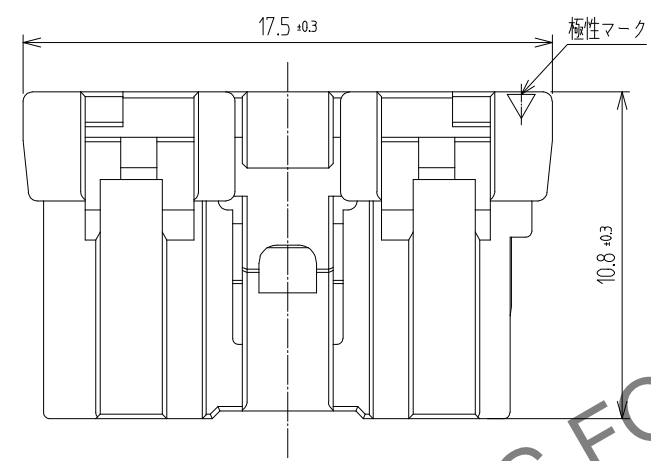


Nov. 1, 2024 Copyright 2024 HIROSE ELECTRIC CO., LTD. All Rights Reserved.
本製品を車載用途などの高い信頼性が求められる機器にご使用の場合は、弊社までお問合せ下さい。

HRS DRAWING FOR REFERENCE

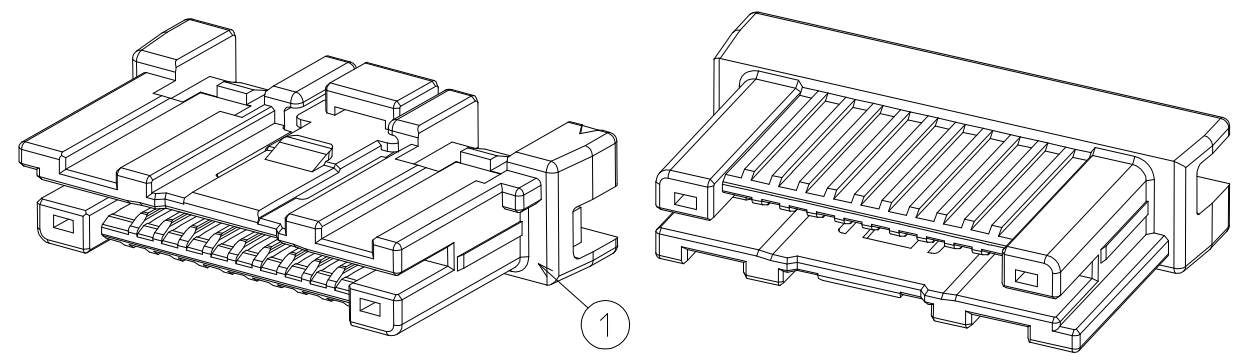
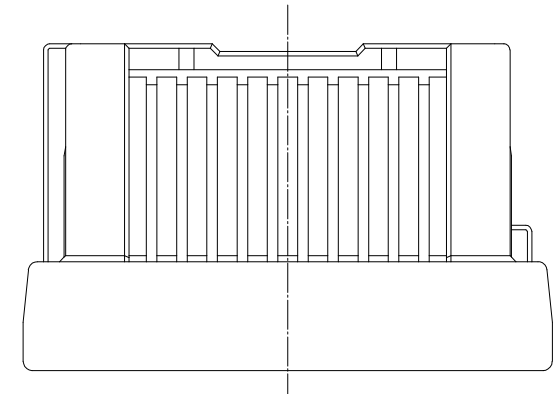


ISO VIEW

△数 COUNT	訂正事項 DESCRIPTION OF REVISIONS	擔當 B	檢圖 CHKD	年月日 DATE	△数 COUNT	訂正事項 DESCRIPTION OF REVISIONS	擔當 B	檢圖 CHKD	年月日 DATE
△				..	△				..
△				..	△				..
△				..	△				..

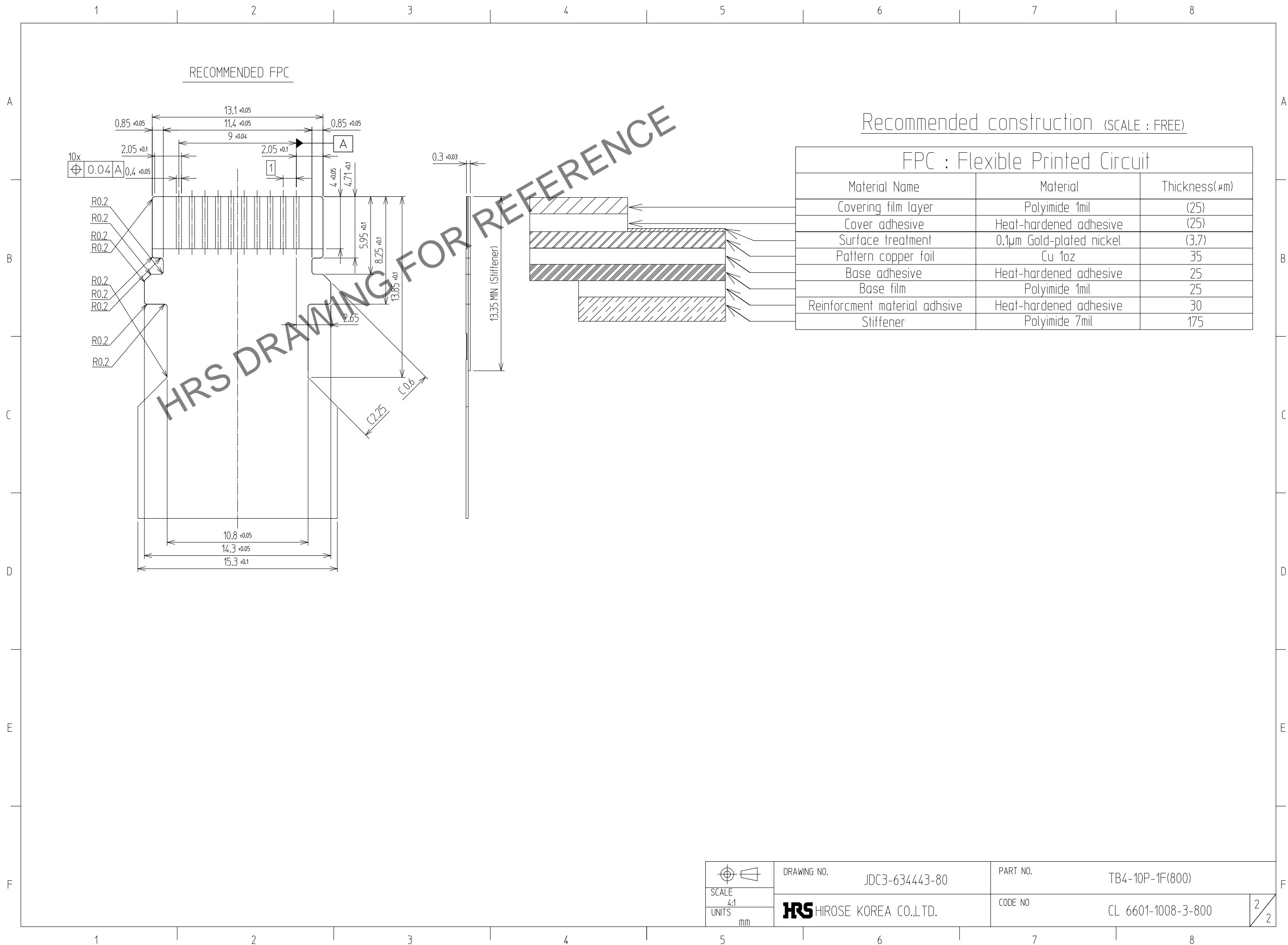
注
1. 1パックに100PCS包装
2. ロットマーク : YYMMW
YY: YEAR, MM: MONTH, W:WEEK
YYMM W
└──┬──┬──
 └── Week
 └── Month
 └── Year

Year		Month		Week	
Ex.	Mark	Ex.	Mark	Ex.	Mark
2020	20	Jan.	01	1st	1
2021	21	Feb.	02	2nd	2
2022	22	Mar.	03	3rd	3
2023	23	Apr.	04	4th	4
2024	24	May.	05	5th	5
2025	25	Jun.	06	6th	6
2026	26	Jul.	07		
2027	27	Aug.	08		
2028	28	Sep.	09		
2029	29	Oct.	10		
		Nov.	11		
		Dec.	12		



NO.	MATERIAL	FINISH,REMARKS	1	PA	UL94 V-0, BLACK		
NO.	MATERIAL	FINISH,REMARKS	NO.	MATERIAL	FINISH,REMARKS		
CODE NO. (OLD)			DRAWN	DESIGNED	CHECKED	APPROVED	RELEASED
			CHOI 24.08.28 H.S	CHOI 24.08.28 H.S	LIM 24.08.28 S.M	LIM 24.08.28 S.M	ENG 24.09.20 DEPT
SCALE 4:1 UNITS mm	DRAWING NO. JDC3-634443-80		PART NO. TB4-10P-1F(800)				
HRS HIROSE KOREA CO.,LTD.		CODE NO. CL 6601-1008-3-800					1/2

Nov. 1. 2024 Copyright 2024 HIROSE ELECTRIC CO., LTD. All Rights Reserved.
 本製品を車載用途などの高い信頼性が求められる機器にご使用の場合は、弊社までお問合せ下さい。



HRS DRAWING FOR REFERENCE

Recommended construction (SCALE : FREE)

FPC : Flexible Printed Circuit		
Material Name	Material	Thickness(μm)
Covering film layer	Polyimide 1mil	(25)
Cover adhesive	Heat-hardened adhesive	(25)
Surface treatment	0.1μm Gold-plated nickel	(3.7)
Pattern copper foil	Cu 1oz	35
Base adhesive	Heat-hardened adhesive	25
Base film	Polyimide 1mil	25
Reinforcement material adhesive	Heat-hardened adhesive	30
Stiffener	Polyimide 7mil	175

 SCALE 4:1 UNITS mm	DRAWING NO. JDC3-634443-80	PART NO. TB4-10P-1F(800)	<div style="border: 1px solid black; padding: 2px;"> 2 / 2 </div>
	HIROSE KOREA CO.,LTD.	CODE NO. CL 6601-1008-3-800	