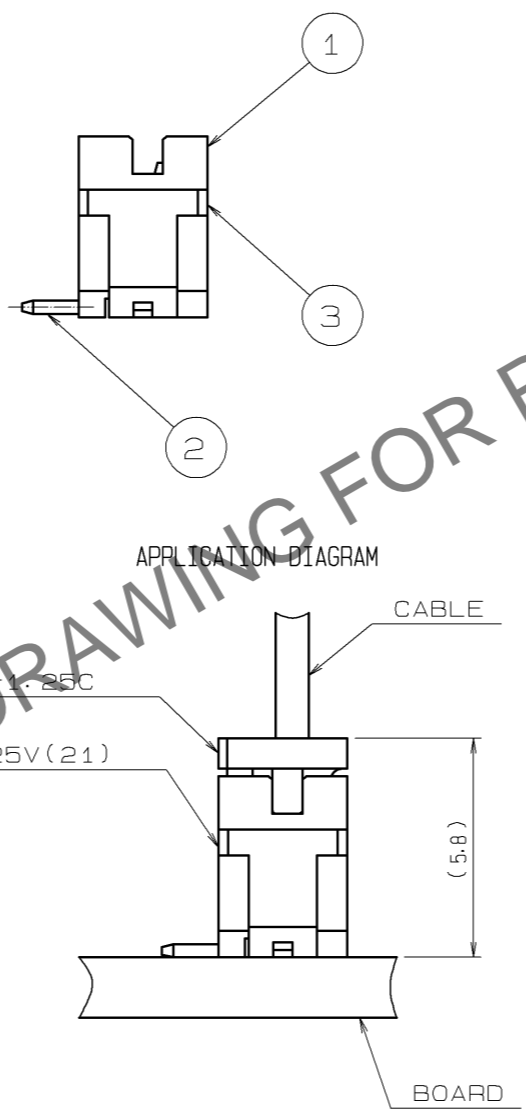
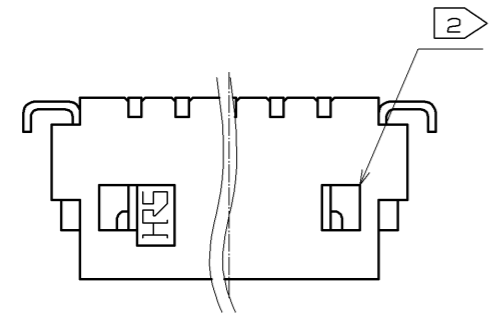
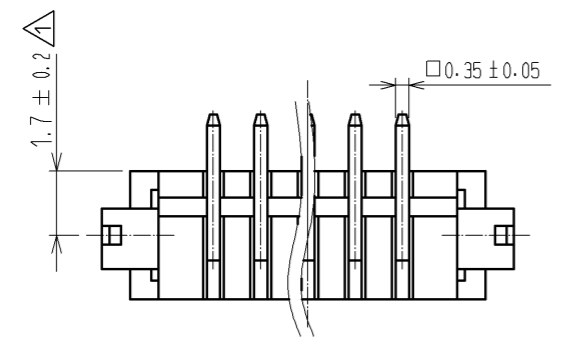
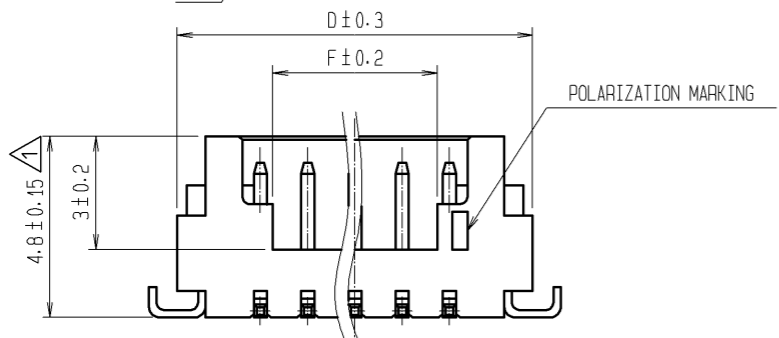
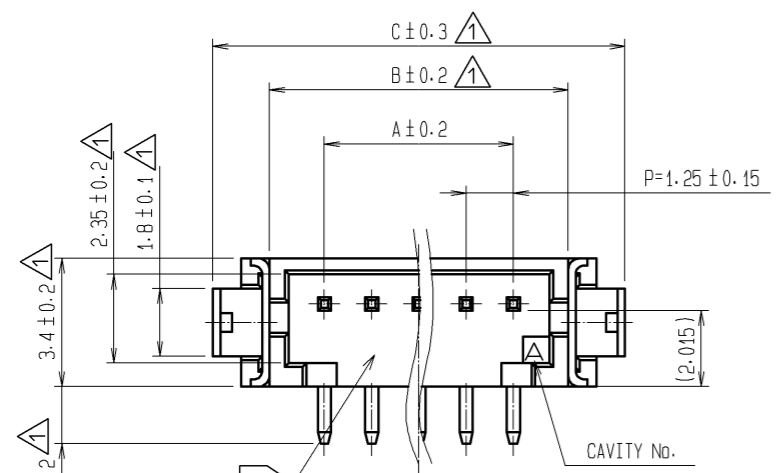
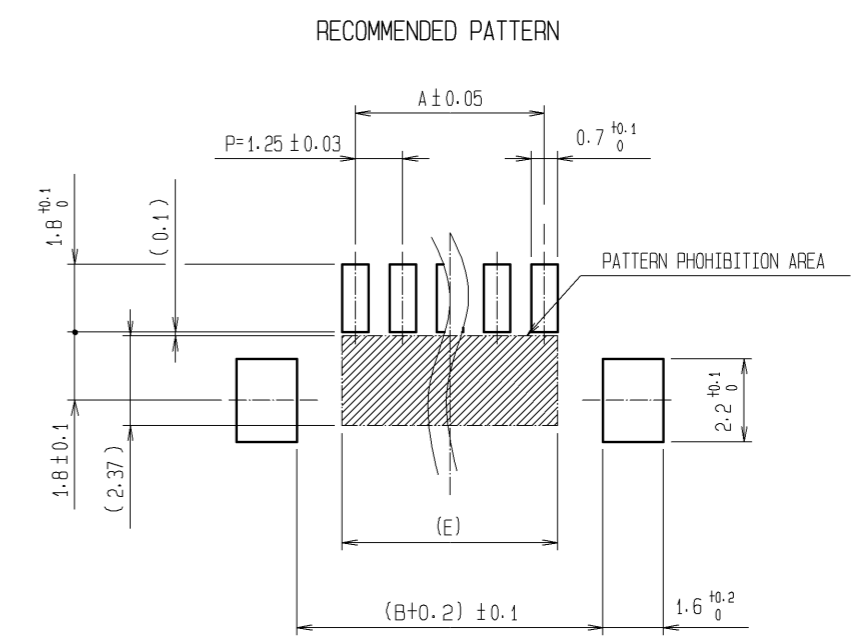


Oct.1.2024 Copyright 2024 HIROSE ELECTRIC CO., LTD. All Rights Reserved.
In case of consideration for using Automotive equipment / device which demand high reliability, kindly contact our sales window correspondents.



CODE No.	CONTACT	A	B	C	D	E	F
CL536-0401-2-21	2	1.25	4.15	7.15	5.65	1.95	2.2
CL536-0402-5-21	3	2.5	5.4	8.4	6.9	3.2	3.45
CL536-0403-8-21	4	3.75	6.65	9.65	8.15	4.45	3.1
CL536-0404-0-21	5	5.0	7.9	10.9	9.4	5.7	4.35
CL536-0405-3-21	6	6.25	9.15	12.15	10.65	6.95	5.6
CL536-0406-6-21	7	7.5	10.4	13.4	11.9	8.2	6.85
CL536-0407-9-21	8	8.75	11.65	14.65	13.15	9.45	8.1
CL536-0408-1-21	9	10.0	12.9	15.9	14.4	10.7	9.35
CL536-0409-4-21	10	11.25	14.15	17.15	15.65	11.95	10.6
CL536-0410-3-21	11	12.5	15.4	18.4	16.9	13.2	11.85
CL536-0411-6-21	12	13.75	16.65	19.65	18.15	14.45	13.1
CL536-0413-1-21	14	16.25	19.15	22.15	20.65	16.95	15.6
CL536-0414-4-21	15	17.5	20.4	23.4	21.9	18.2	16.85

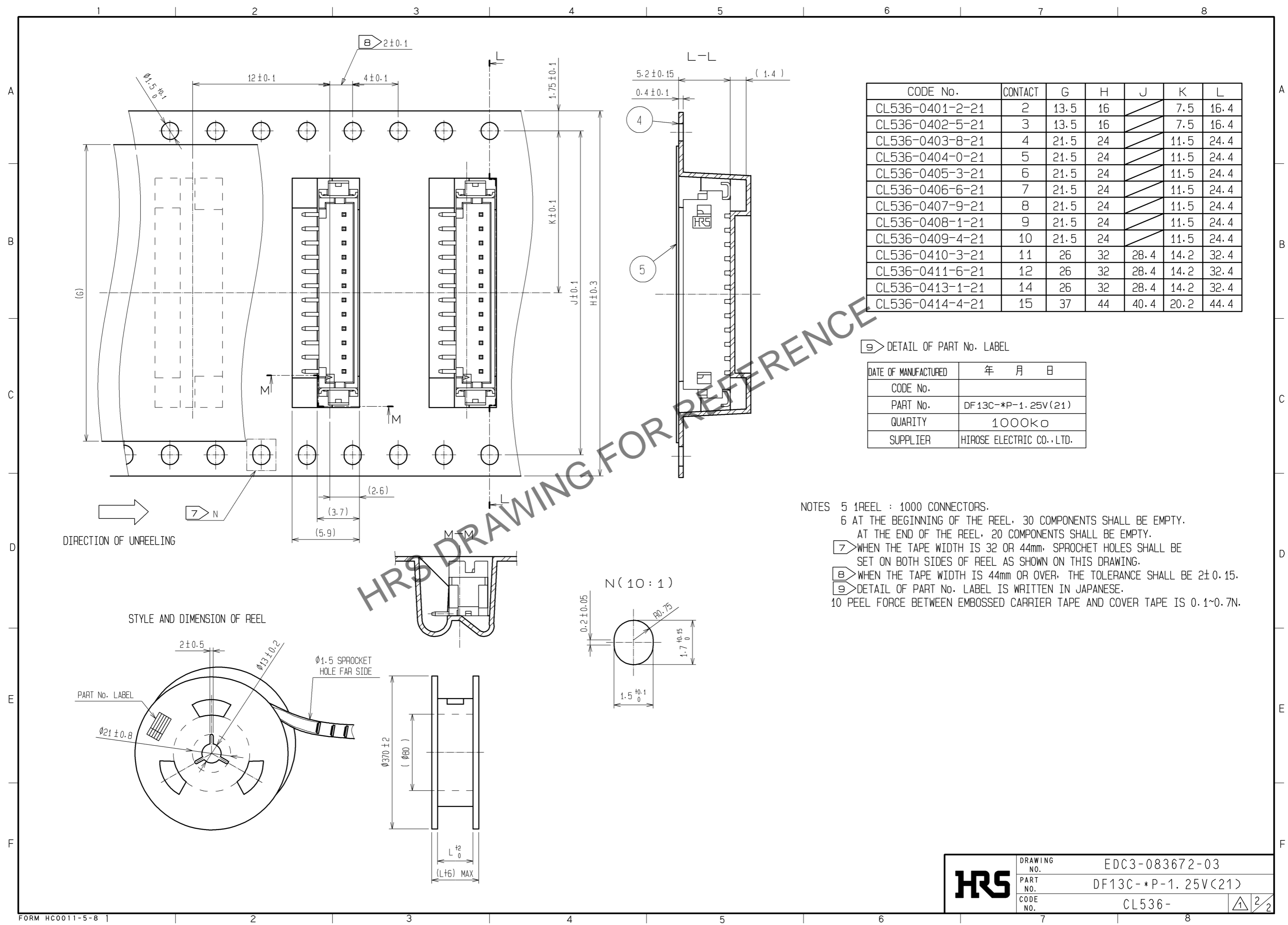


- NOTES
- 1 WHEN THIS CONNECTOR MATES WITH DF13-*S-1.25C, THE MATING LENGTH IS 5.8mm.
 - 2 WHEN THIS CONNECTOR HAS TWO OR THREE CONTACTS, THE LOCK SHALL BE SET AT THE CENTER OF HOUSING. IF MORE THAN FOUR, THE TWO LOCKS SHALL BE SET AS SHOWN ON THIS DRAWING.
 - 3 LEAD CO-PLANARITY INCLUDING REINFORCED METAL FITTINGS SHALL BE WITHIN 0.1mm.
 - 4 AREA TO PICK AND PLACE.

NO.	MATERIAL	FINISH	REMARKS	NO.	MATERIAL	FINISH	REMARKS
3	PHOSPHOR BRONZE		SURFACE: TIN PLATED 1μm min.	5	POLYESTER		COVER TAPE: CLEAR
2	BRASS		SURFACE: TIN PLATED 1μm min.	4	PS		EMBOSSED CARRIER TAPE: CLEAR
1	POLYAMIDE		UL94V-0, (BEIGE)				

UNITS	mm	SCALE	5 : 1	COUNT	8	DESCRIPTION OF REVISIONS	DESIGNED	CHECKED	DATE
						DIS-H-005399	TS. KUMAZAWA	HK. UMEHARA	10.12.14
APPROVED : TY. OMA		05.10.31		DRAWING NO.		EDC3-083672-03			
CHECKED : HK. UMEHARA		05.10.31		PART NO.		DF13C-*P-1.25V(21)			
DESIGNED : TS. KUMAZAWA		05.10.31		CODE NO.		CL536-			
DRAWN : AK. MIURA		05.10.27							

Oct.1.2024 Copyright 2024 HIROSE ELECTRIC CO., LTD. All Rights Reserved.
 In case of consideration for using Automotive equipment / device which demand high reliability, kindly contact our sales window correspondents.



CODE No.	CONTACT	G	H	J	K	L
CL536-0401-2-21	2	13.5	16	/	7.5	16.4
CL536-0402-5-21	3	13.5	16	/	7.5	16.4
CL536-0403-8-21	4	21.5	24	/	11.5	24.4
CL536-0404-0-21	5	21.5	24	/	11.5	24.4
CL536-0405-3-21	6	21.5	24	/	11.5	24.4
CL536-0406-6-21	7	21.5	24	/	11.5	24.4
CL536-0407-9-21	8	21.5	24	/	11.5	24.4
CL536-0408-1-21	9	21.5	24	/	11.5	24.4
CL536-0409-4-21	10	21.5	24	/	11.5	24.4
CL536-0410-3-21	11	26	32	28.4	14.2	32.4
CL536-0411-6-21	12	26	32	28.4	14.2	32.4
CL536-0413-1-21	14	26	32	28.4	14.2	32.4
CL536-0414-4-21	15	37	44	40.4	20.2	44.4

9) DETAIL OF PART No. LABEL

DATE OF MANUFACTURED	年 月 日
CODE No.	
PART No.	DF13C-*P-1.25V(21)
QUANTITY	1000K0
SUPPLIER	HIROSE ELECTRIC CO.,LTD.

- NOTES
- 5 1REEL : 1000 CONNECTORS.
 - 6 AT THE BEGINNING OF THE REEL, 30 COMPONENTS SHALL BE EMPTY.
 AT THE END OF THE REEL, 20 COMPONENTS SHALL BE EMPTY.
 - 7) WHEN THE TAPE WIDTH IS 32 OR 44mm, SPROCKET HOLES SHALL BE SET ON BOTH SIDES OF REEL AS SHOWN ON THIS DRAWING.
 - 8) WHEN THE TAPE WIDTH IS 44mm OR OVER, THE TOLERANCE SHALL BE 2±0.15.
 - 9) DETAIL OF PART No. LABEL IS WRITTEN IN JAPANESE.
 - 10 PEEL FORCE BETWEEN EMBOSSED CARRIER TAPE AND COVER TAPE IS 0.1~0.7N.

HRS	DRAWING NO.	EDC3-083672-03
	PART NO.	DF13C-*P-1.25V(21)
	CODE NO.	CL536-