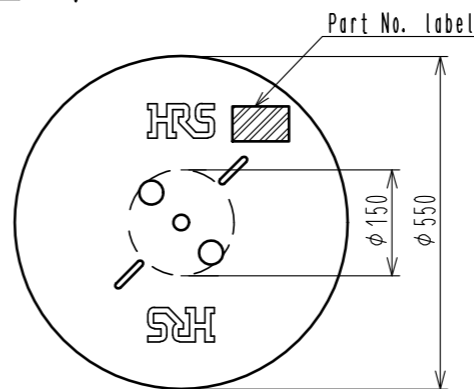
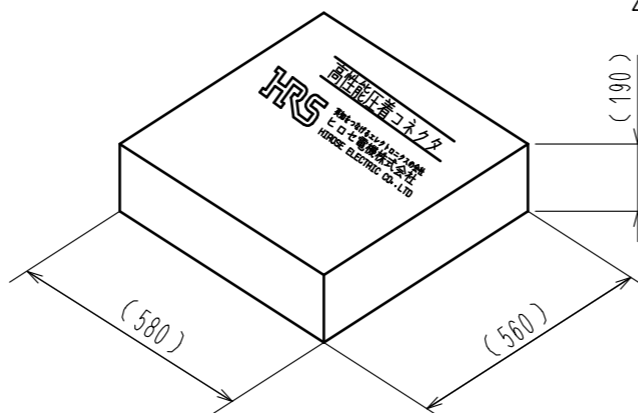
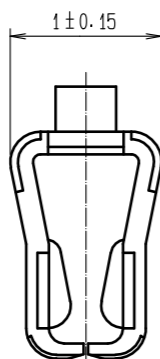


Apr.1.2024 Copyright 2024 HIROSE ELECTRIC CO., LTD. All Rights Reserved.
In case of consideration for using Automotive equipment / device which demand high reliability, kindly contact our sales window correspondents.

③ Style and dimension of box

③ Style and dimension of reel

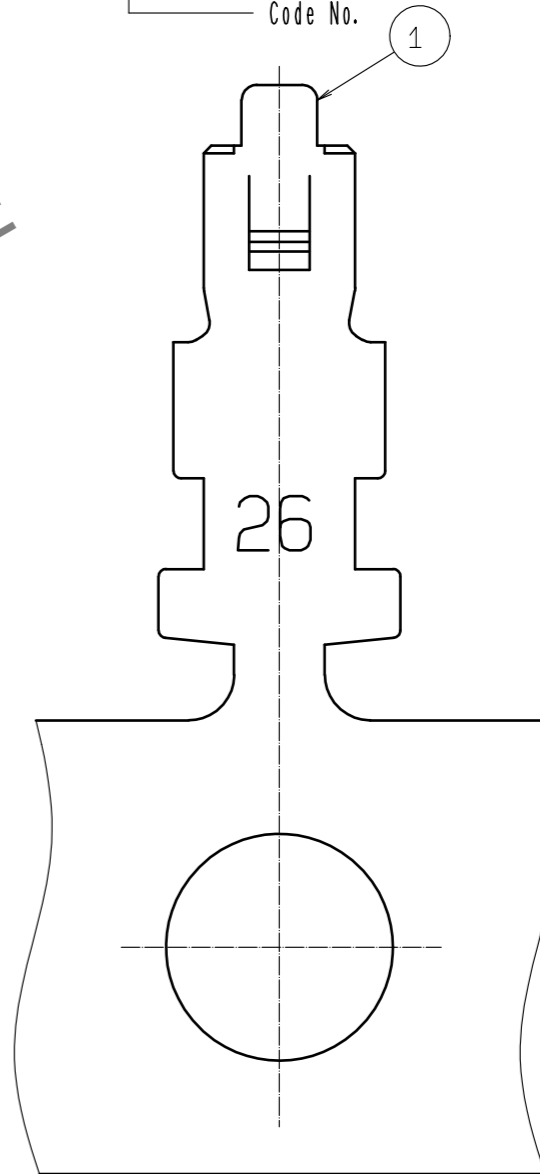
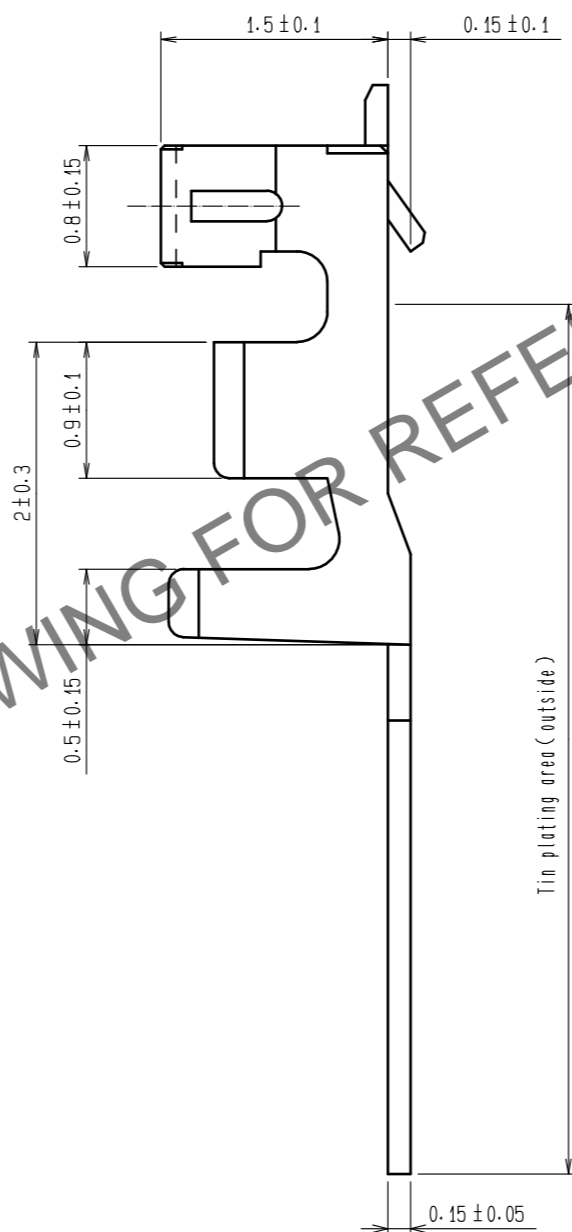
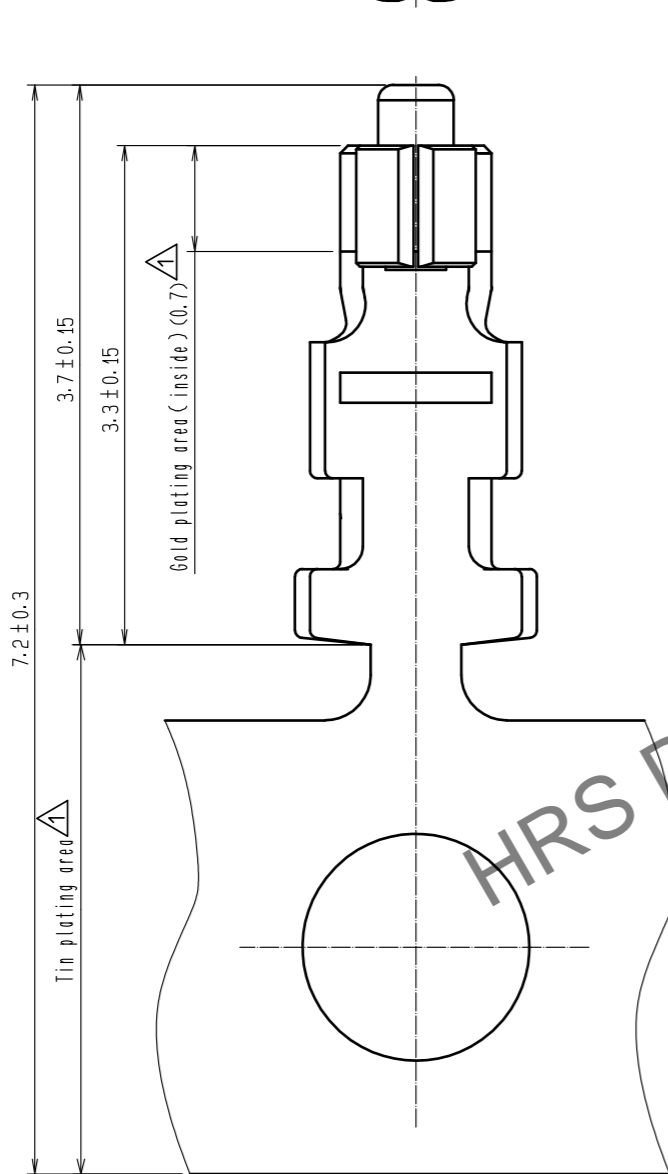
Detail of part No. label



HRS		検査
品名コード	CL536-0642-9-00	
品名	DF13G-2630SCFA	
数量	10000	
仕様		
LOT No.		
継ぎ目		

Section
Lot No.
Specification
Quantity
Part No.
Code No.

Inspection



- ① Note 1. Applicable wire : 26 to 30 AWG
Outer diameter : φ0.56 to 1.0mm
- 2. 1 reel:10000 contacts.
- ③ Style of reel and box are shown in figure.
- ① 4. A maximum of 5 reels are packed up in one box.
- ① 5. Please be sure to check the form of crimping using a cable when you adjust applicator.
- ① 6. Refer to the technical specification(ATAP-H0373-00)for the packing type.

1	Phosphor bronze	Contact area:Gold plating 0.2μm min Crimping area:Tin plating 1μm min Carrier area:Tin plating 1μm min Others:Nickel plating 0.5μm min
---	-----------------	---

NO.	MATERIAL	FINISH . REMARKS	NO.	MATERIAL	FINISH . REMARKS
UNITS mm		SCALE 20: 1	COUNT 9	DESCRIPTION OF REVISIONS DIS-H-00004839	DESIGNED HT. SATO
APPROVED : TS. SAKATA 20091027			DRAWING NO. EDC-162290-00-01		
CHECKED : TS. FUKUSHIMA 20091027			PART NO. DF13G-2630SCFA		
DESIGNED : KT. ISHII 20091013			CODE NO. CL536-0642-9-00		
DRAWN : YK. NAKATSU 20091007			① 1/1		