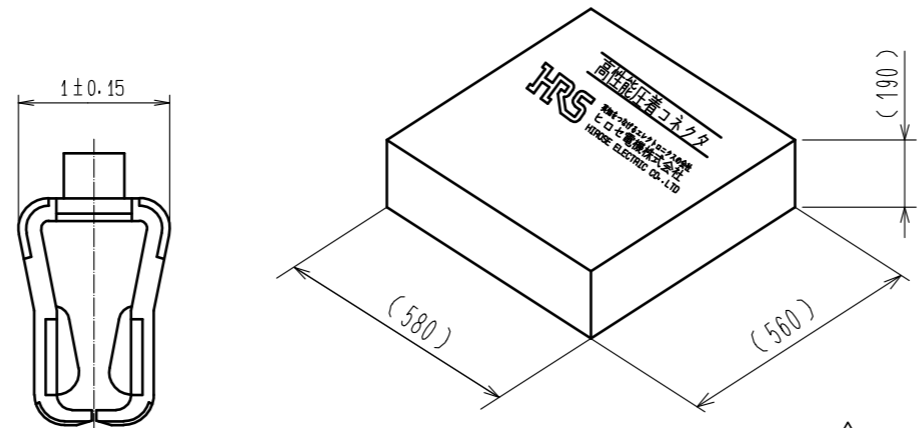
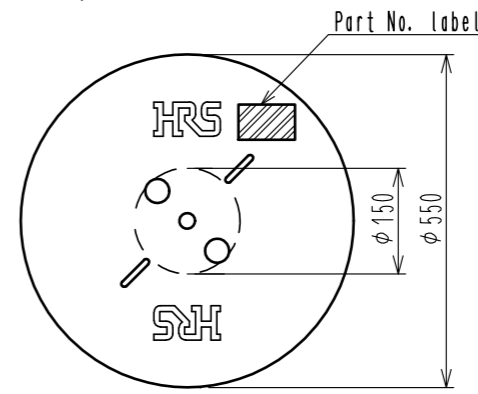


Apr.1.2024 Copyright 2024 HIROSE ELECTRIC CO., LTD. All Rights Reserved.
In case of consideration for using Automotive equipment / device which demand high reliability, kindly contact our sales window correspondents.

△ ③ Style and dimension of box



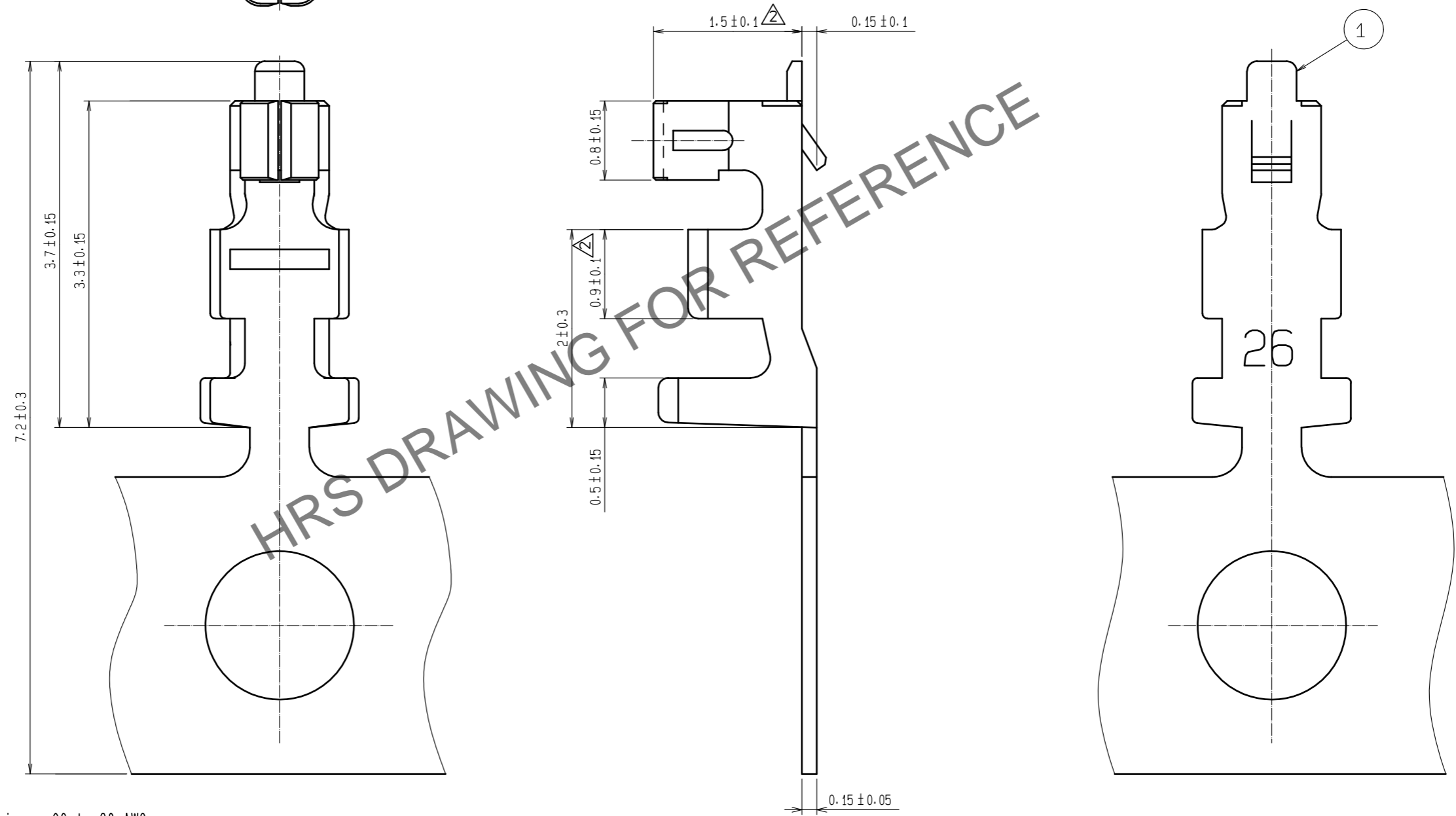
△ ③ Style and dimension of reel



Detail of part No. label

HRS		検査
品名コード	CL536-0643-1-00	Inspection
品名	DF136-2630SCF	
数量	10000	
仕様		
LOT No.		
継ぎ目		

Section
Lot No.
Specification
Quantity
Part No.
Code No.



- △ Note 1. Applicable wire : 26 to 30 AWG
Outer diameter : φ0.56 to 1.0mm
- ② 1 reel:10000 contacts.
- △ ③ Style of reel and box are shown in figure.
- ④ 4. A maximum of 5 reels are packed up in one box.
- ⑤ 5. Please be sure to check the form of crimping using a cable when you adjust applicator.
- ⑥ 6. Refer to the technical specification(ATAP-H0373-00)for the packing type.

NO.	MATERIAL	FINISH . REMARKS	NO.	MATERIAL	FINISH . REMARKS
			1	Phosphor bronze	Tin plating 1μm min
UNITS	mm	SCALE	20: 1	COUNT	9
DESCRIPTION OF REVISIONS			DESIGNED	CHECKED	DATE
DIS-H-00004839			HT. SATO	SZ. ONO	20190513
APPROVED : KI. AKIYAMA 20120216			DRAWING NO. EDC-162517-00-01		
CHECKED : HK. UMEHARA 20120216			PART NO. DF136-2630SCF		
DESIGNED : HT. SATO 20120216			CODE NO. CL536-0643-1-00		
DRAWN : HT. SATO 20120216					