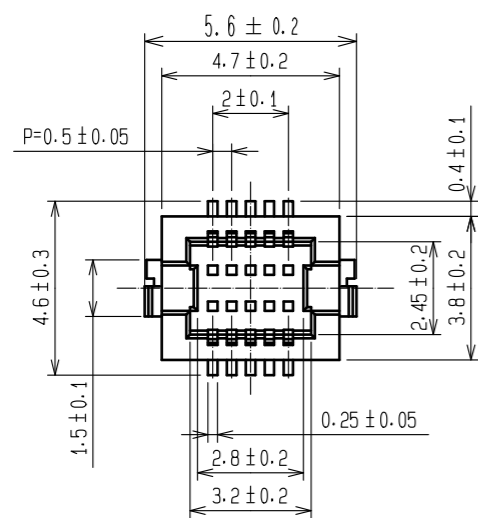
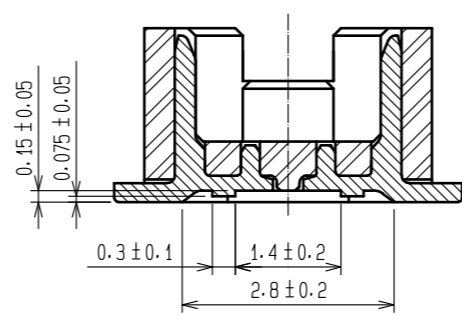


Sep.1.2022 Copyright 2022 HIROSE ELECTRIC CO., LTD. All Rights Reserved.  
In case of consideration for using Automotive equipment / device which demand high reliability, kindly contact our sales window correspondents.

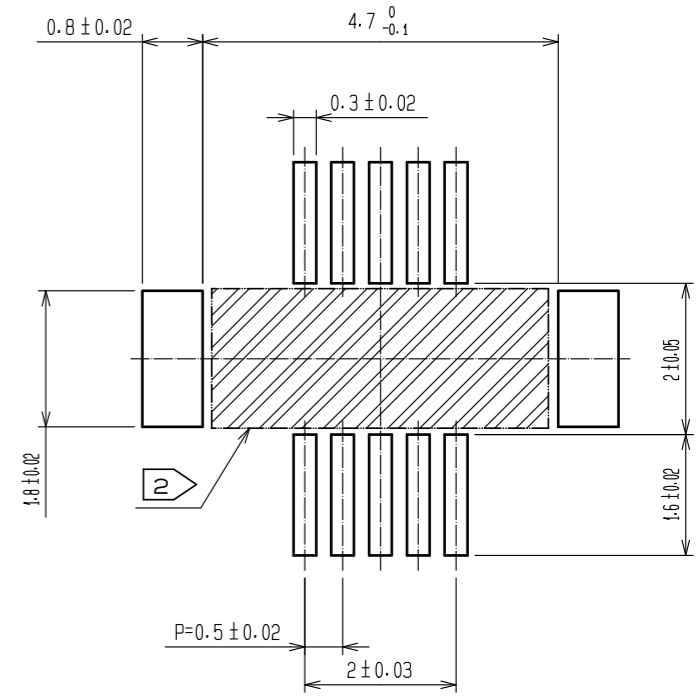
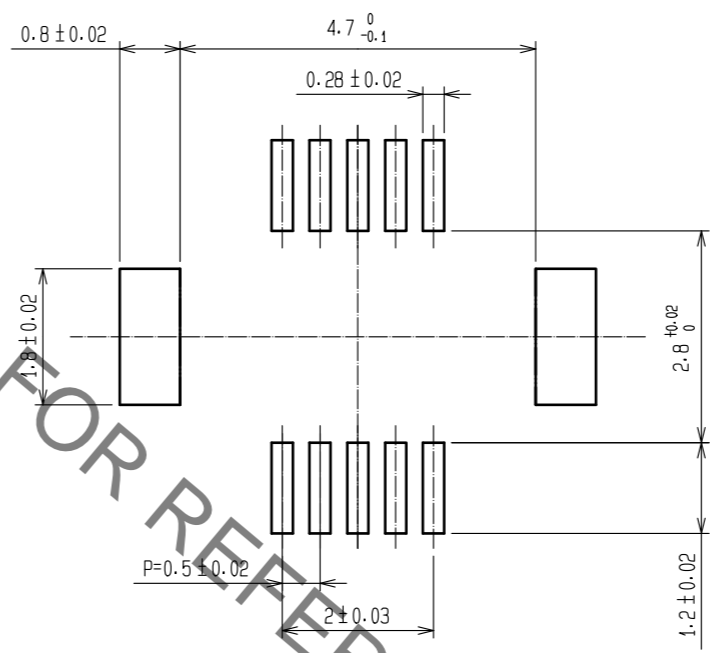


A-A (10:1)

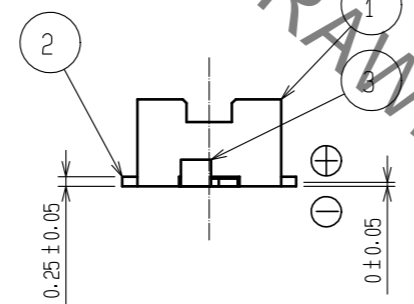
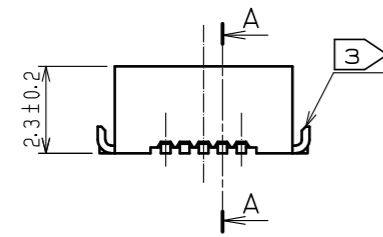


RECOMMEND METAL MASK PATTERN (10:1)

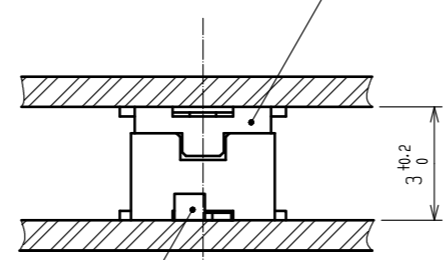
RECOMMENDED LAND PATTERN (10:1)



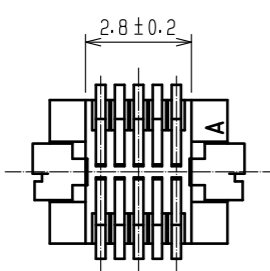
RECOMMENDED THICKNESS OF SOLDER PASTE : 120 μm



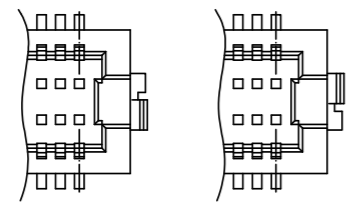
DF12\*(3.0)-10DS-0.5V(\*\*)



DF12NB(3.0)-10DP-0.5V(86)



- NOTES 1 : LEAD CO-PLANARITY SHALL BE 0.08 mm MAX.  
 2 : IF THERE IS PATTERN ON PART, THERE IS A POSSIBILITY THAT IT WILL MAKE CONTACT WITH THE LEADS.  
 3 : REINFORCED METAL FITTINGS AS FOLLOWS.



NO.	MATERIAL	FINISH . REMARKS	NO.	MATERIAL	FINISH . REMARKS
2	PHOSPHOR BRONZE	CONTACT AREA:GOLD PLATED 0.2μm min LEAD AREA:GOLD PLATED 0.015μm min OTHERS(UNDER PLATING):NICKEL PLATED 2μm min	6	PS	BLACK (PLASTIC REEL)
1	POLYAMIDE	UL94V-0 . BLACK	5	POLYESTER	CLEAR (COVER TAPE)
			4	PS	CLEAR (EMBOSSD CARRIER TAPE)
			3	BRASS	TIN PLATED 2μm min (UNDER PLATING):NICKEL 1μm min

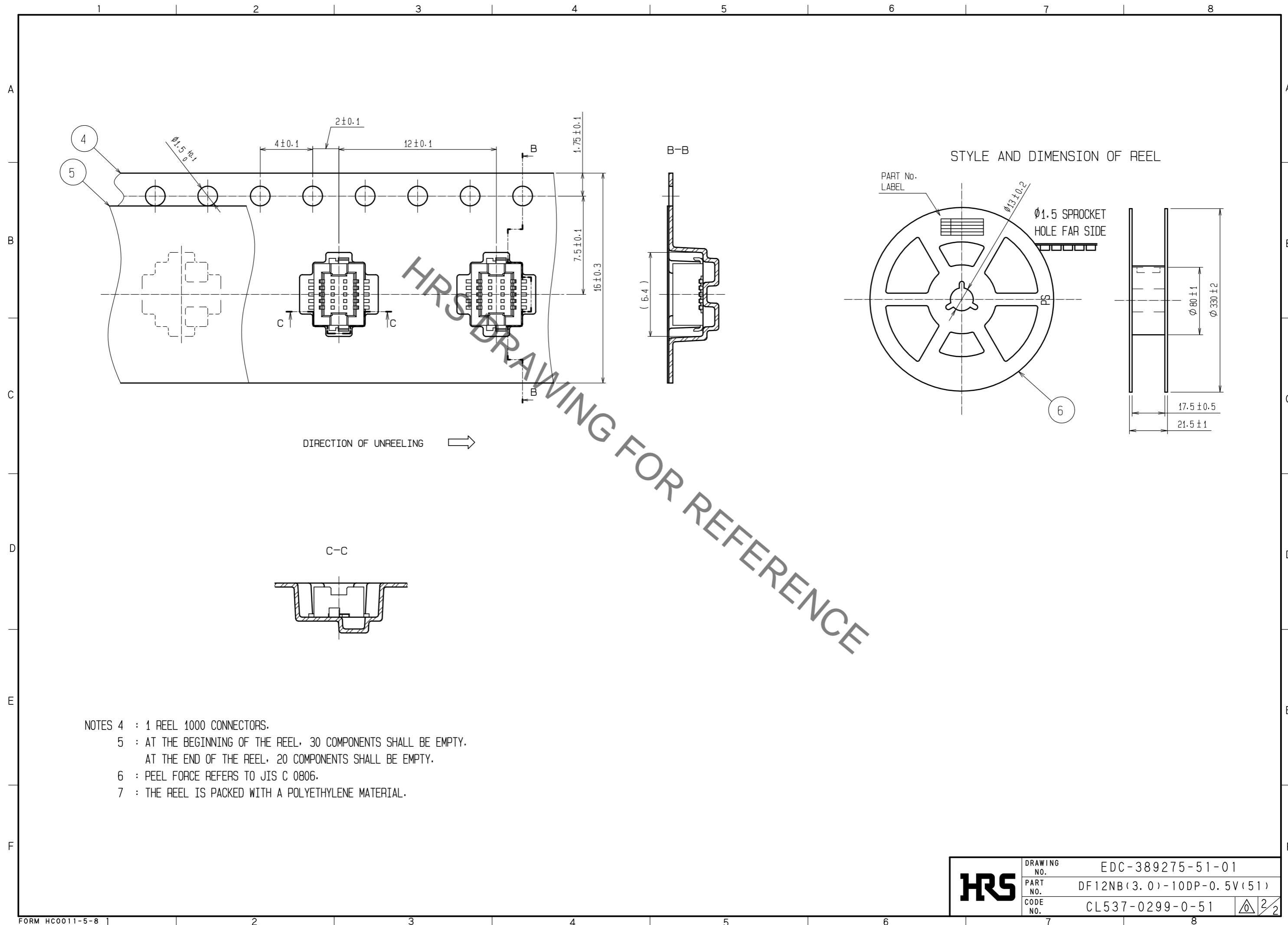
  

UNITS	SCALE	COUNT	DESCRIPTION OF REVISIONS	DESIGNED	CHECKED	DATE
mm	5 : 1	△	APPROVED : WR. FUKUCHI 20190828			
			CHECED : TS. MIYAZAKI 20190827			
			DESIGNED : KT. KUSAKA 20190827			
			DRAWN : KT. KUSAKA 20190827			

DRAWING NO.	PART NO.	CODE NO.
EDC-389275-51-01	DF12NB(3.0)-10DP-0.5V(51)	CL537-0299-0-51

Sep.1.2022 Copyright 2022 HIROSE ELECTRIC CO., LTD. All Rights Reserved.  
 In case of consideration for using Automotive equipment / device which demand high reliability, kindly contact our sales window correspondents.



DRAWING FOR REFERENCE

- NOTES 4 : 1 REEL 1000 CONNECTORS.  
 5 : AT THE BEGINNING OF THE REEL, 30 COMPONENTS SHALL BE EMPTY.  
 AT THE END OF THE REEL, 20 COMPONENTS SHALL BE EMPTY.  
 6 : PEEL FORCE REFERS TO JIS C 0806.  
 7 : THE REEL IS PACKED WITH A POLYETHYLENE MATERIAL.

<b>HRS</b>	DRAWING NO.	EDC-389275-51-01
	PART NO.	DF12NB(3.0)-10DP-0.5V(51)
	CODE NO.	CL537-0299-0-51
		2/2