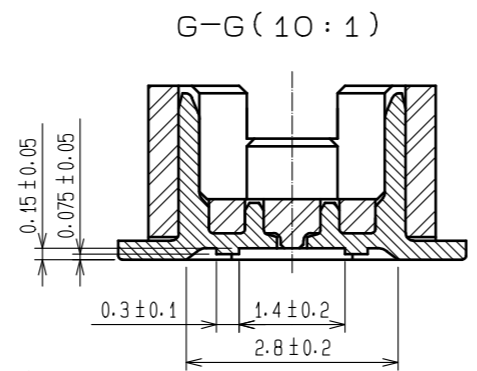
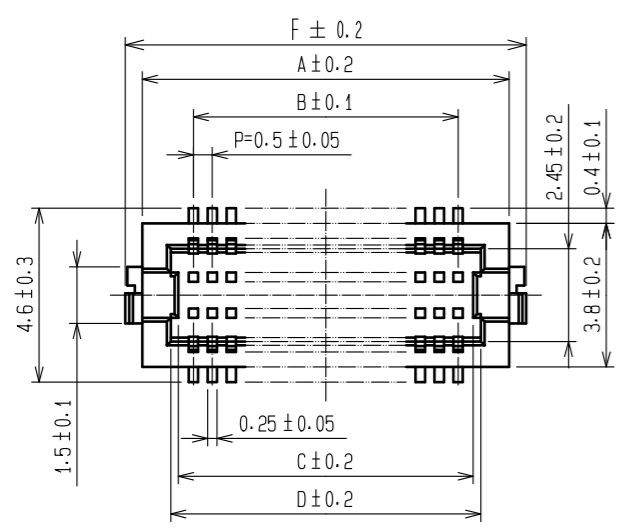
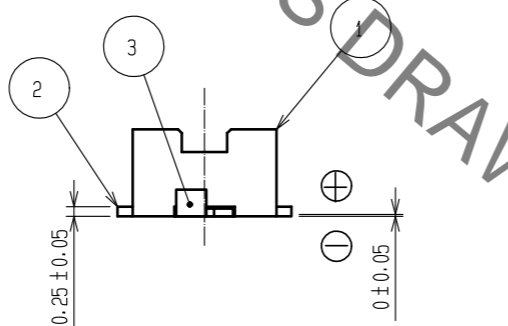
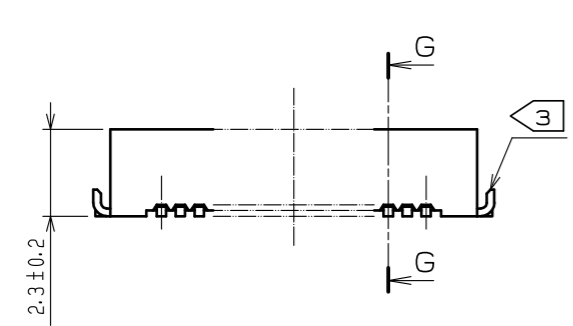


Sep.1.2022 Copyright 2022 HIROSE ELECTRIC CO., LTD. All Rights Reserved.
In case of consideration for using Automotive equipment / device which demand high reliability, kindly contact our sales window correspondents.

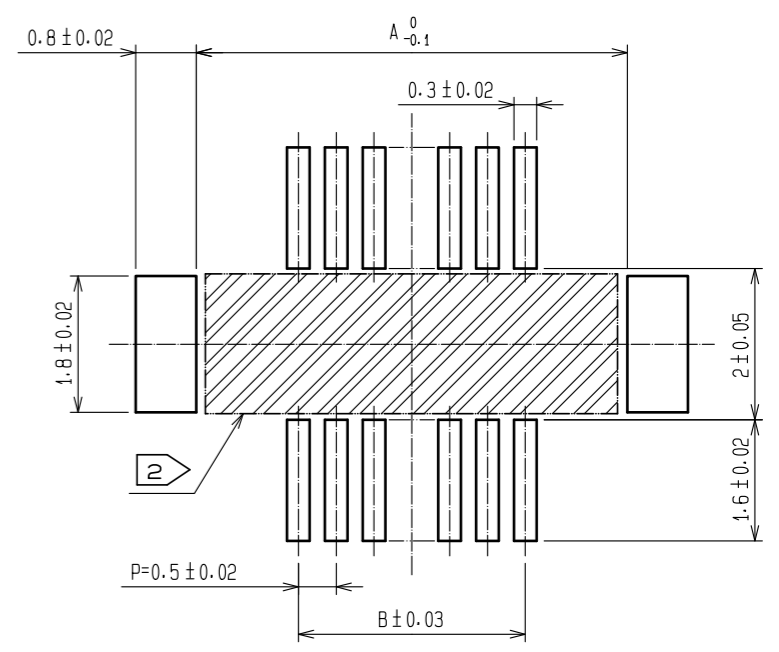
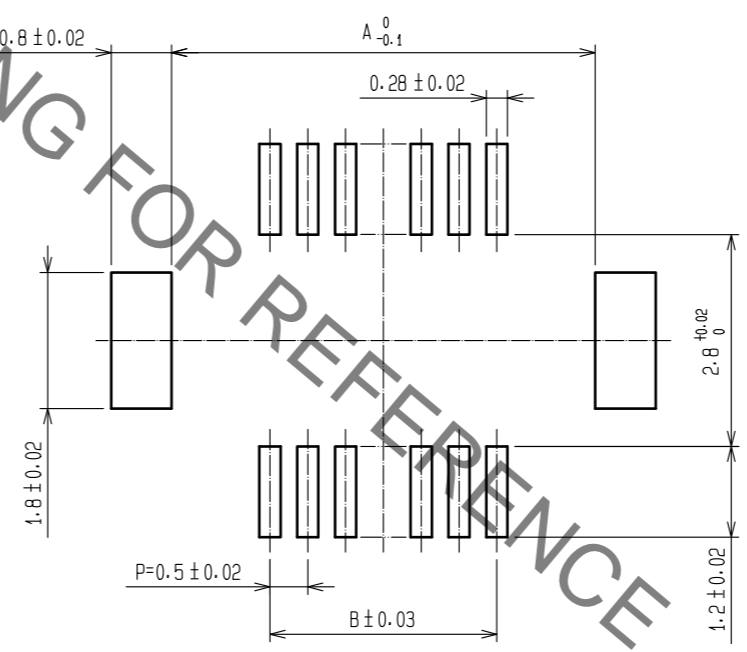


CODE NO.	CONTACT	A	B	C	D	E	F
CL537-0299-0-51	10	4.7	2.0	2.8	3.2	2.8	5.6
CL537-0387-0-51	14	5.7	3.0	3.8	4.2	3.8	6.6
CL537-0388-0-51	20	7.2	4.5	5.3	5.7	5.3	8.1
CL537-0389-0-51	30	9.7	7.0	7.8	8.2	7.8	10.6
CL537-0390-0-51	32	10.2	7.5	8.3	8.7	8.3	11.1
CL537-0391-0-51	36	11.2	8.5	9.3	9.7	9.3	12.1
CL537-0392-0-51	40	12.2	9.5	10.3	10.7	10.3	13.1
CL537-0393-0-51	50	14.7	12.0	12.8	13.2	12.8	15.6
CL537-0394-0-51	60	17.2	14.5	15.3	15.7	15.3	18.1
CL537-0395-0-51	80	22.2	19.5	20.3	20.7	20.3	23.1

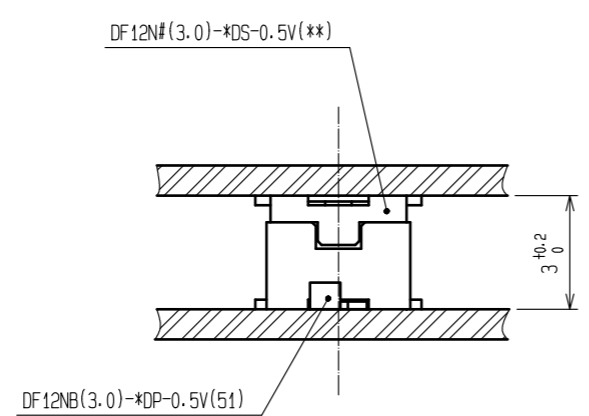
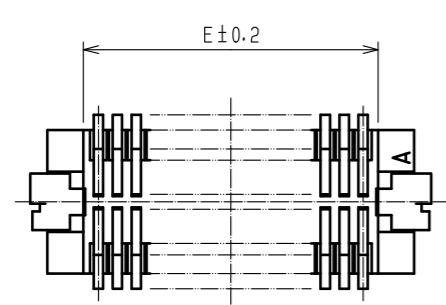


RECOMMENDED METAL MASK PATTERN (10:1)

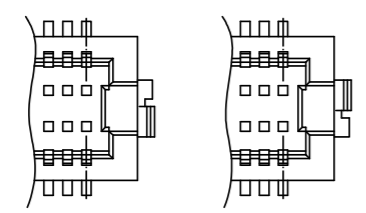
RECOMMENDED PATTERN (10:1)



METAL MASK THICKNESS : 120#m



- NOTES 1 LEAD CO-PLANARITY INCLUDING REINFORCED METAL FITTINGS SHALL BE 0.08 mm MAX.
 2 IF THERE IS PATTERN ON PART, THERE IS A POSSIBILITY THAT IT WILL MAKE CONTACT WITH THE LEADS.
 3 REINFORCED METAL FITTINGS AS FOLLOWS.

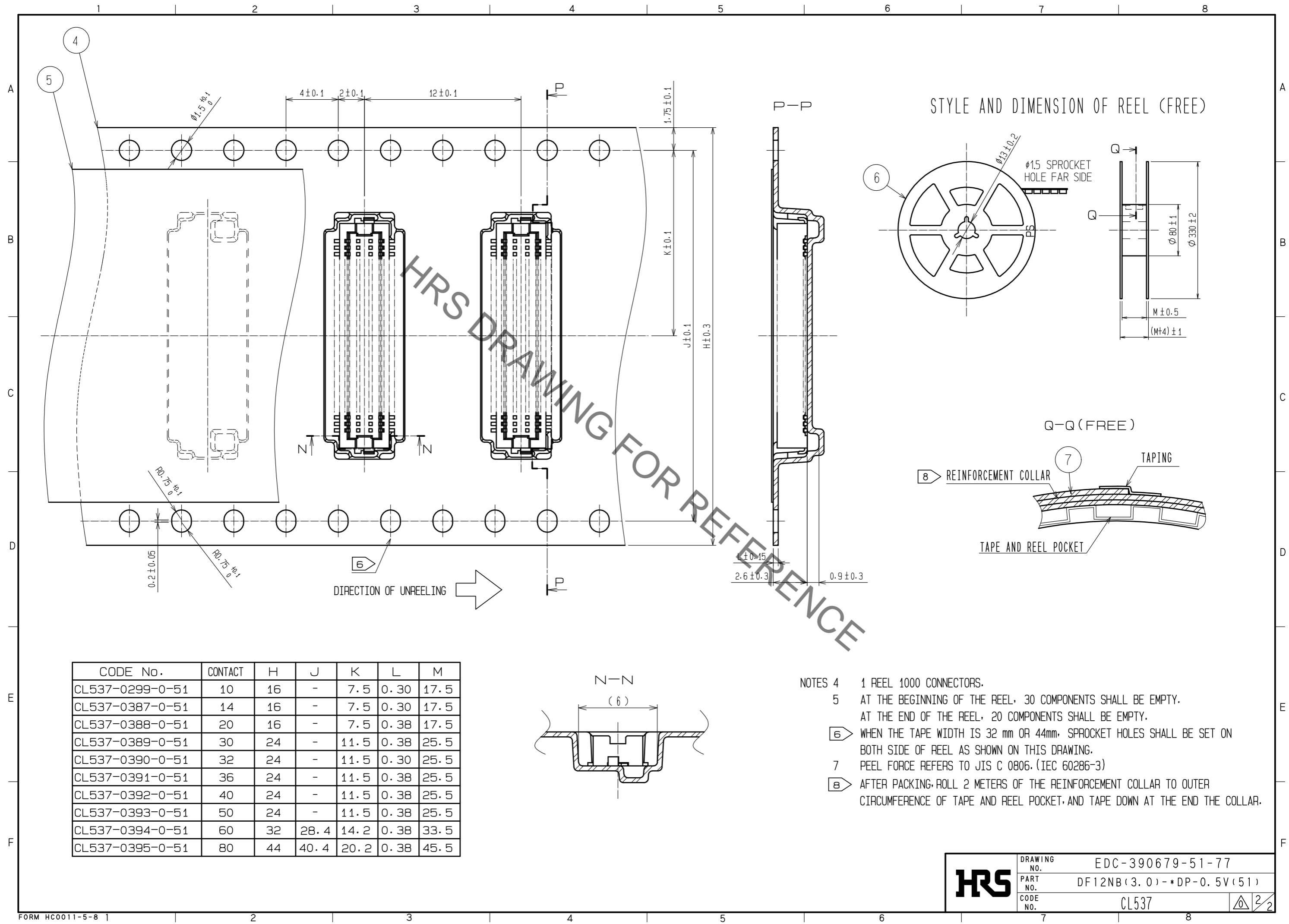


NO.	MATERIAL	FINISH . REMARKS	NO.	MATERIAL	FINISH . REMARKS
2	PHOSPHOR BRONZE	CONTACT AREA:GOLD PLATED 0.2#m min LEAD AREA:GOLD PLATED 0.015#m min OTHERS(UNDER PLATING):NICKEL 2#m min	7	PS	CLEAR(REINFORCEMENT COLLAR)
1	POLYAMIDE	BLACK, UL94V-0	6	PS	BLACK(PLASTIC REEL)
			5	POLYESTER	CLEAR(COVER TAPE)
			4	PS	CLEAR(EMBOSSD CARRIER TAPE)
			3	BRASS	TIN PLATED 2#m min UNDER PLATING:NICKEL 1#m min

UNITS	SCALE	COUNT	DESCRIPTION OF REVISIONS	DESIGNED	CHECKED	DATE
mm	5 : 1	0				

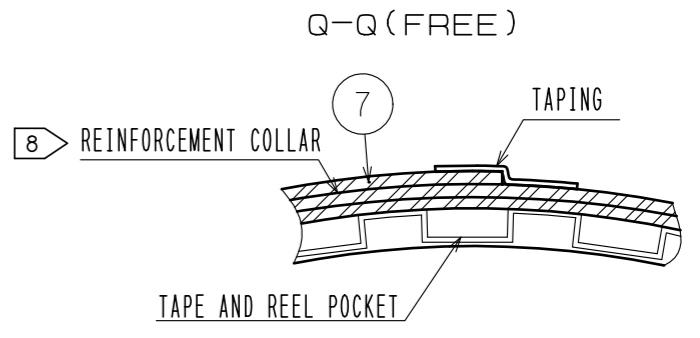
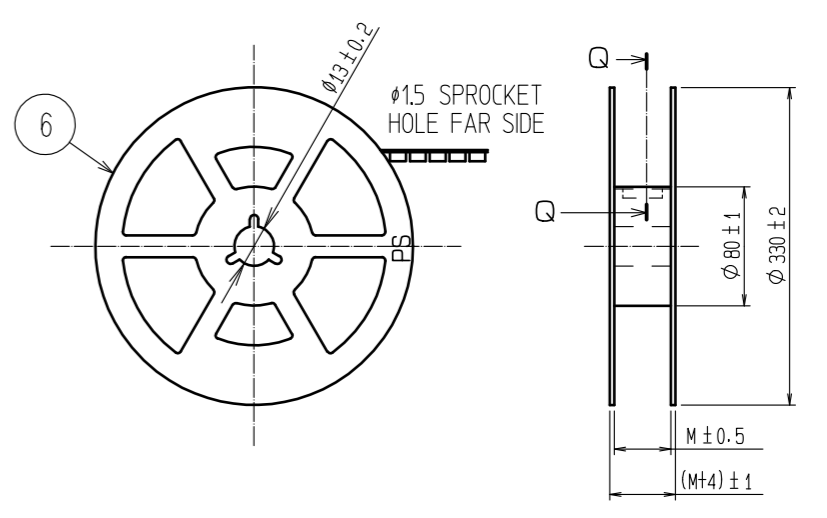
APPROVED : WR. FUKUCHI	20200702	DRAWING NO.	EDC-390679-51-77
CHECED : TS. MIYAZAKI	20200702	PART NO.	DF12NB(3.0)-*DP-0.5V(51)
DESIGNED : RN. IIDA	20200702	CODE NO.	CL537
DRAWN : RN. IIDA	20200702		

Sep.1.2022 Copyright 2022 HIROSE ELECTRIC CO., LTD. All Rights Reserved.
In case of consideration for using Automotive equipment / device which demand high reliability, kindly contact our sales window correspondents.

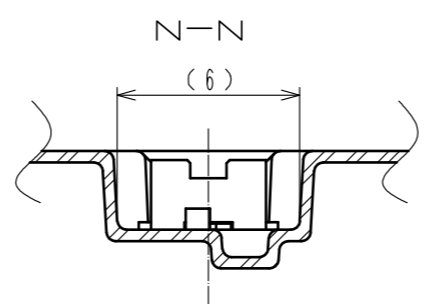


HRS DRAWING FOR REFERENCE

STYLE AND DIMENSION OF REEL (FREE)



CODE No.	CONTACT	H	J	K	L	M
CL537-0299-0-51	10	16	-	7.5	0.30	17.5
CL537-0387-0-51	14	16	-	7.5	0.30	17.5
CL537-0388-0-51	20	16	-	7.5	0.38	17.5
CL537-0389-0-51	30	24	-	11.5	0.38	25.5
CL537-0390-0-51	32	24	-	11.5	0.30	25.5
CL537-0391-0-51	36	24	-	11.5	0.38	25.5
CL537-0392-0-51	40	24	-	11.5	0.38	25.5
CL537-0393-0-51	50	24	-	11.5	0.38	25.5
CL537-0394-0-51	60	32	28.4	14.2	0.38	33.5
CL537-0395-0-51	80	44	40.4	20.2	0.38	45.5



- NOTES
- 4 1 REEL 1000 CONNECTORS.
 - 5 AT THE BEGINNING OF THE REEL, 30 COMPONENTS SHALL BE EMPTY. AT THE END OF THE REEL, 20 COMPONENTS SHALL BE EMPTY.
 - 6 WHEN THE TAPE WIDTH IS 32 mm OR 44mm, SPROCKET HOLES SHALL BE SET ON BOTH SIDE OF REEL AS SHOWN ON THIS DRAWING.
 - 7 PEEL FORCE REFERS TO JIS C 0806. (IEC 60286-3)
 - 8 AFTER PACKING, ROLL 2 METERS OF THE REINFORCEMENT COLLAR TO OUTER CIRCUMFERENCE OF TAPE AND REEL POCKET, AND TAPE DOWN AT THE END THE COLLAR.

HRS	DRAWING NO.	EDC-390679-51-77
	PART NO.	DF12NB(3.0)-*DP-0.5V(51)
	CODE NO.	CL537