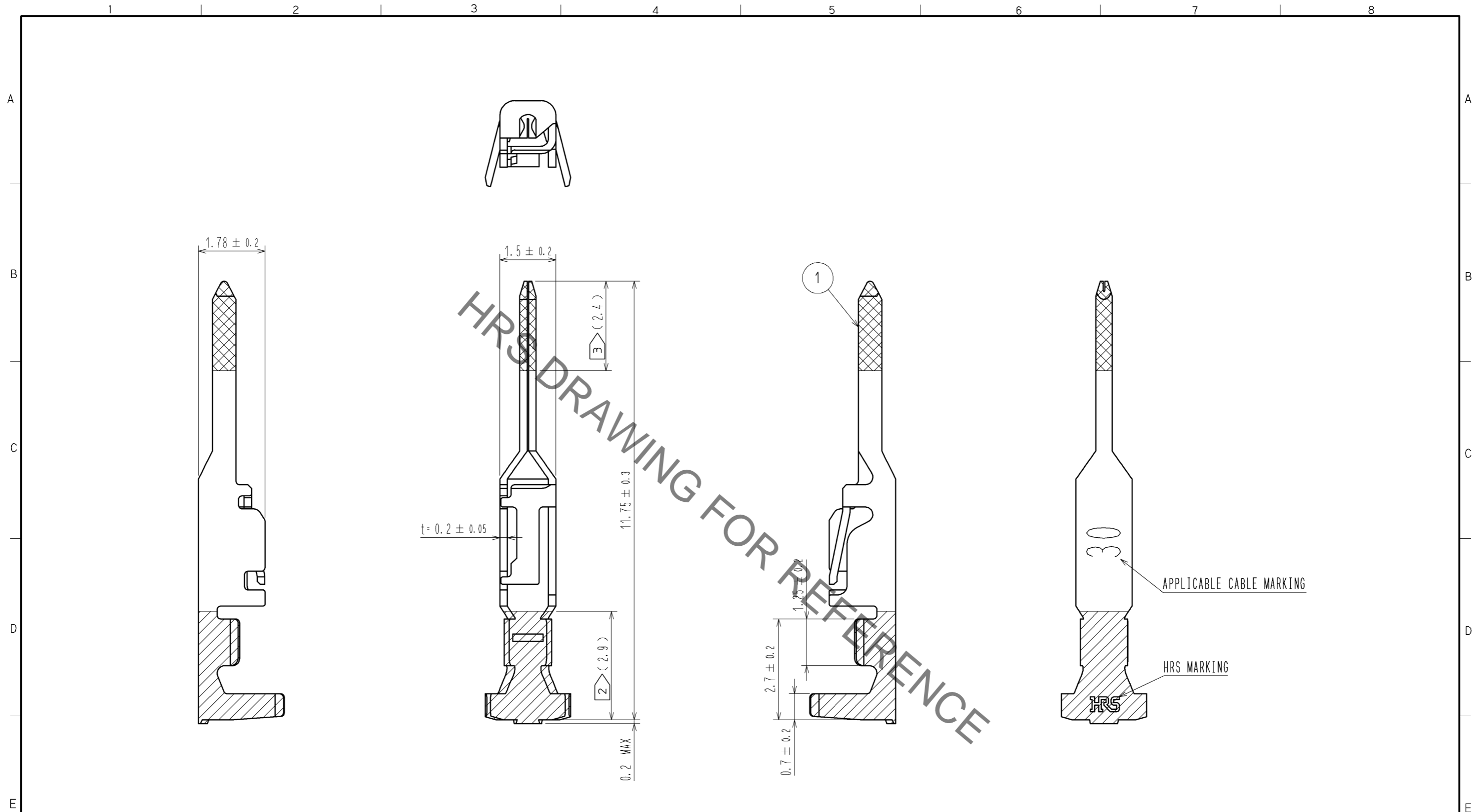


Dec.1.2022 Copyright 2022 HIROSE ELECTRIC CO., LTD. All Rights Reserved.
 In case of consideration for using Automotive equipment / device which demand high reliability, kindly contact our sales window correspondents.



NOTE 1. 1PACK:100 CONTACTS
 2 TIN PLATING AREA.
 3 GOLD PLATING AREA.
 4. THE DIMENSIONS IN PARENTHESIS ARE FOR REFERENCE.

NO.	MATERIAL	FINISH . REMARKS	NO.	MATERIAL	FINISH . REMARKS
1	PHOSPHOR BRONZE	CONTACT AREA : GOLD PLATING 0.2 μ m MIN BARREL AREA : TIN PLATING 1 μ m MIN OTHERS : NICKEL PLATING 0.5 μ m MIN			

UNITS	SCALE	COUNT	DESCRIPTION OF REVISIONS	DESIGNED	CHECKED	DATE
mm	10:1	△				
HIROSE ELECTRIC CO., LTD.			APPROVED : KI. AKIYAMA 12.07.21	DRAWING NO. EDC3-345111-00		
			CHECED : MN. KENJO 12.07.21	PART NO. DF62-EP30PCA		
			DESIGNED : TO. HORII 12.07.20	CODE NO. CL544-0531-2-00		
			DRAWN : TO. HORII 12.07.20	△ 1/1		